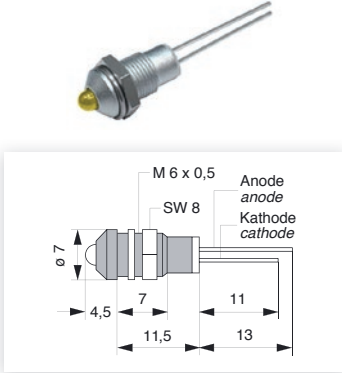


LED Signalleuchten LED Panel Mount Indicators

EINBAUDURCHMESSER
MOUNTING HOLE

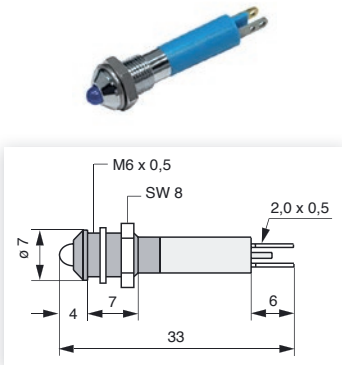
Außenreflektor ohne Vorwiderstand IP40 / *Prominent (exterior) bezel without resistor IP40*



Part Number	Colour	Typ. Forward Voltage	Typ. Current	Typ. Lumi. Intensity
Hochglanzverchromter Metallreflektor / Satin chrome bezel				
19020003	red	2,0V DC	–	13mcd at 20mA
19020001	green	2,2V DC	–	8mcd at 20mA
19020002	yellow	2,1V DC	–	8mcd at 20mA
19020007	blue	4,5V DC	–	40mcd at 20mcd
1902000W3D	white	3,2V DC	–	3000mcd at 20mcd
Schwarzverchromter Metallreflektor / Black chrome bezel				
19021003	red	2,0V DC	–	13mcd at 20mA
19021001	green	2,2V DC	–	8mcd at 20mA
19021002	yellow	2,1V DC	–	8mcd at 20mA
19021007	blue	4,5V DC	–	40mcd at 20mcd
1902100W3D	white	3,2V DC	–	3000mcd at 20mcd
Mattverchromter Metallreflektor / Matt chrome bezel				
19022003	red	2,0V DC	–	13mcd at 20mA
19022001	green	2,2V DC	–	8mcd at 20mA
19022002	yellow	2,1V DC	–	8mcd at 20mA
19022007	blue	4,5V DC	–	40mcd at 20mcd
1902200W3D	white	3,2V DC	–	3000mcd at 20mcd

Maximale Frontplattenstärke 5,5mm / Maximum panel thickness 5.5mm

Außenreflektor mit Vorwiderstand IP40 / *Prominent (exterior) bezel with resistor IP40*



Part Number	Colour	Voltage	Typ. Current	Typ. Lumi. Intensity
Hochglanzverchromter Metallreflektor / Satin chrome bezel				
19020253	red	12V DC	20mA DC	13mcd
19020251	green	12V DC	20mA DC	8mcd
19020252	yellow	12V DC	20mA DC	8mcd
19020257	blue	12V DC	18mA DC	36mcd
1902025W	white	12V DC	6mA DC	900mcd
19020353	red	24V DC	15mA DC	8mcd
19020351	green	24V DC	15mA DC	6mcd
19020352	yellow	24V DC	15mA DC	6mcd
19020357	blue	24V DC	15mA DC	26mcd
1902035W	white	24V DC	7mA DC	1050mcd
Schwarzverchromter Metallreflektor / Black chrome bezel				
19021253	red	12V DC	20mA DC	13mcd
19021251	green	12V DC	20mA DC	8mcd
19021252	yellow	12V DC	20mA DC	8mcd
19021257	blue	12V DC	18mA DC	36mcd
1902125W	white	12V DC	6mA DC	900mcd
19021353	red	24V DC	15mA DC	8mcd
19021351	green	24V DC	15mA DC	6mcd
19021352	yellow	24V DC	15mA DC	6mcd
19021357	blue	24V DC	15mA DC	26mcd
1902135W	white	24V DC	7mA DC	1050mcd
Mattverchromter Metallreflektor / Matt chrome bezel				
19022253	red	12V DC	20mA DC	13mcd
19022251	green	12V DC	20mA DC	8mcd
19022252	yellow	12V DC	20mA DC	8mcd
19022257	blue	12V DC	18mA DC	36mcd
1902225W	white	12V DC	6mA DC	900mcd
19022353	red	24V DC	15mA DC	8mcd
19022351	green	24V DC	15mA DC	6mcd
19022352	yellow	24V DC	15mA DC	6mcd
19022357	blue	24V DC	15mA DC	26mcd
1902235W	white	24V DC	7mA DC	1050mcd

Maximale Frontplattenstärke 5,5mm / Maximum panel thickness 5.5mm
Andere Spannungen auf Anfrage / Other voltages on request

6 mm

8 mm

12 mm

14 mm

16 mm

19 mm

22 mm

ZUBEHÖR
ACCESSORIES

LED Signalleuchten LED Panel Mount Indicators

EINBAUDURCHMESSER
MOUNTING HOLE

8 mm

8 mm

12 mm

14 mm

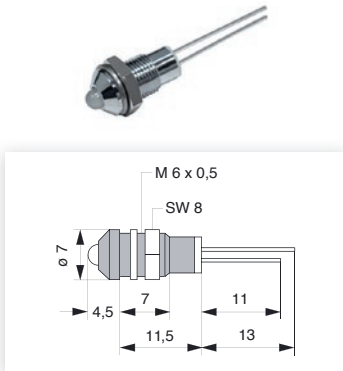
16 mm

19 mm

22 mm

ZUBEHÖR
ACCESSORIES

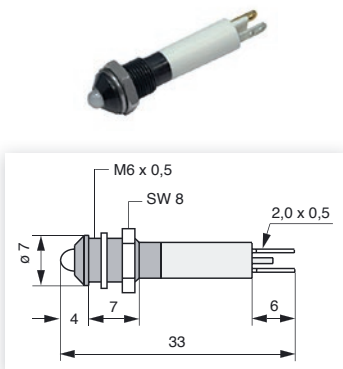
Außenreflektor zweifarbig ohne Vorwiderstand IP40 / *Prominent (exterior) bezel bi-colour without resistor IP40*



Part Number	Colour	Typ. Forward Voltage	Typ. Current	Typ. Lumi. Intensity
Hochglanzverchromter Metallreflektor / Satin chrome bezel				
19020004	red/green	2,0/2,2V DC	–	40/40mcd at 20mA
19020005	red/yellow	2,0/2,1V DC	–	40/20mcd at 20mA
19020006	green/yellow	2,2/2,1V DC	–	40/20mcd at 20mA
Schwarzverchromter Metallreflektor / Black chrome bezel				
19021004	red/green	2,0/2,2V DC	–	40/40mcd at 20mA
19021005	red/yellow	2,0/2,1V DC	–	40/20mcd at 20mA
19021006	green/yellow	2,2/2,1V DC	–	40/20mcd at 20mA
Mattverchromter Metallreflektor / Matt chrome bezel				
19022004	red/green	2,0/2,2V DC	–	40/40mcd at 20mA
19022005	red/yellow	2,0/2,1V DC	–	40/20mcd at 20mA
19022006	green/yellow	2,2/2,1V DC	–	40/20mcd at 20mA

Maximale Frontplattenstärke 5,5mm / *Maximum panel thickness 5.5mm*
 Farbwechsel durch Umpolung der Versorgungsspannung
This colour is changed by changing polarity of the supply voltage.

Außenreflektor zweifarbig mit Vorwiderstand IP40 / *Prominent (exterior) bezel bi-colour with resistor IP40*



Part Number	Colour	Voltage	Typ. Current	Typ. Lumi. Intensity
Hochglanzverchromter Metallreflektor / Satin chrome bezel				
19020254	red/green	12V DC	20mA DC	40/40mcd
19020255	red/yellow	12V DC	20mA DC	40/20mcd
19020256	green/yellow	12V DC	20mA DC	40/20mcd
19020354	red/green	24V DC	15mA DC	30/30mcd
19020355	red/yellow	24V DC	15mA DC	30/15mcd
19020356	green/yellow	24V DC	15mA DC	30/15mcd
Schwarzverchromter Metallreflektor / Black chrome bezel				
19021254	red/green	12V DC	20mA DC	40/40mcd
19021255	red/yellow	12V DC	20mA DC	40/20mcd
19021256	green/yellow	12V DC	20mA DC	40/20mcd
19021354	red/green	24V DC	15mA DC	30/30mcd
19021355	red/yellow	24V DC	15mA DC	30/15mcd
19021356	green/yellow	24V DC	15mA DC	30/15mcd
Mattverchromter Metallreflektor / Matt chrome bezel				
19022254	red/green	12V DC	20mA DC	40/40mcd
19022255	red/yellow	12V DC	20mA DC	40/20mcd
19022256	green/yellow	12V DC	20mA DC	40/20mcd
19022354	red/green	24V DC	15mA DC	30/30mcd
19022355	red/yellow	24V DC	15mA DC	30/15mcd
19022356	green/yellow	24V DC	15mA DC	30/15mcd

Maximale Frontplattenstärke 5,5mm / *Maximum panel thickness 5.5mm*
 Farbwechsel durch Umpolung der Versorgungsspannung
This colour is changed by changing polarity of the supply voltage.
 Andere Spannungen auf Anfrage / *Other voltages on request*