

LED Signalleuchten LED Panel Mount Indicators

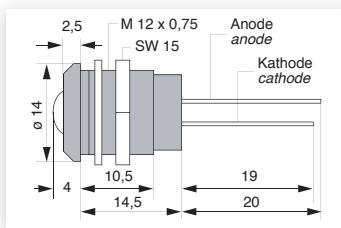
LED Signalleuchten für den Einbaudurchmesser von 12mm (+0,2mm) sind mit hellen, verschiedenfarbigen, diffusen 8mm LEDs bzw. Linsen bestückt. Sie sind mit hochglanzverchromten, schwarzverchromten oder mattverchromten Messingreflektoren lieferbar. Der Anschluss erfolgt in der Regel über Flachstecker 2,8 x 0,8mm. Die entsprechenden Flachsteckhülsen finden Sie auf der Zubehör-Seite. Die Montage der LED Signalleuchten erfolgt mittels der mitgelieferten Sprengringe und Muttern.

Messingflachstecker = Anode (+)
verzinnter Flachstecker = Kathode (-)

LED panel mount indicators for a 12mm (+0.2mm) mounting hole are manufactured with high brightness coloured diffused 8mm LEDs or lenses. These LEDs or lenses are fitted in high quality satin chrome, black chrome or matt chrome metal bezels, supplied with fixing nut and washer. Connection is usually by faston tab terminals 2.8 x 0.8mm. Suitable crimp connectors can be found on the page for accessories.

Brass terminals = anode (+)
Tinned terminals = cathode (-)

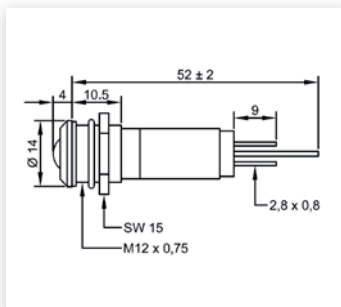
Standardreflektor ohne Vorwiderstand IP40 / Standard bezel without resistor IP40



Part Number	Colour	Typ. Forward Voltage	Typ. Current	Typ. Lumi. Intensity
Hochglanzverchromter Metallreflektor / Satin chrome bezel				
192D0000	red	2,0V DC	—	60mcd at 20mA
192D0001	green	2,2V DC	—	40mcd at 20mA
192D0002	yellow	2,1V DC	—	40mcd at 20mA
Schwarzverchromter Metallreflektor / Black chrome bezel				
192D1000	red	2,0V DC	—	60mcd at 20mA
192D1001	green	2,2V DC	—	40mcd at 20mA
192D1002	yellow	2,1V DC	—	40mcd at 20mA
Mattverchromter Metallreflektor / Matt chrome bezel				
192D2000	red	2,0V DC	—	60mcd at 20mA
192D2001	green	2,2V DC	—	40mcd at 20mA
192D2002	yellow	2,1V DC	—	40mcd at 20mA

Maximale Frontplattenstärke 8,5mm / Maximum panel thickness 8.5mm

Standardreflektor Sonnenlicht tauglich mit Vorwiderstand und Einweggleichrichter IP67 / Standard bezel sunlight visible with resistor and half-wave rectifier IP67



Part Number	Colour	Voltage	Typ. Current	Typ. Lumi. Intensity
Hochglanzverchromter Metallreflektor / Satin chrome bezel				
192D0250	red	12V AC/DC	9mA AC / 17mA DC	400mcd
192D0251	green	12V AC/DC	9mA AC / 17mA DC	1200mcd
192D0252	yellow	12V AC/DC	9mA AC / 17mA DC	350mcd
192D0257	blue	12V AC/DC	9mA AC / 17mA DC	450mcd
192D025W	white	12V AC/DC	9mA AC / 17mA DC	850mcd
192D0350	red	24V AC/DC	9mA AC / 17mA DC	400mcd
192D0351	green	24V AC/DC	9mA AC / 17mA DC	1200mcd
192D0352	yellow	24V AC/DC	9mA AC / 17mA DC	350mcd
192D0357	blue	24V AC/DC	9mA AC / 17mA DC	450mcd
192D035W	white	24V AC/DC	9mA AC / 17mA DC	850mcd
Schwarzverchromter Metallreflektor / Black chrome bezel				
192D1250	red	12V AC/DC	9mA AC / 17mA DC	400mcd
192D1251	green	12V AC/DC	9mA AC / 17mA DC	1200mcd
192D1252	yellow	12V AC/DC	9mA AC / 17mA DC	350mcd
192D1257	blue	12V AC/DC	9mA AC / 17mA DC	450mcd
192D125W	white	12V AC/DC	9mA AC / 17mA DC	850mcd
192D1350	red	24V AC/DC	9mA AC / 17mA DC	400mcd
192D1351	green	24V AC/DC	9mA AC / 17mA DC	1200mcd
192D1352	yellow	24V AC/DC	9mA AC / 17mA DC	350mcd
192D1357	blue	24V AC/DC	9mA AC / 17mA DC	450mcd
192D135W	white	24V AC/DC	9mA AC / 17mA DC	850mcd
Mattverchromter Metallreflektor / Matt chrome bezel				
192D2250	red	12V AC/DC	9mA AC / 17mA DC	400mcd
192D2251	green	12V AC/DC	9mA AC / 17mA DC	1200mcd
192D2252	yellow	12V AC/DC	9mA AC / 17mA DC	350mcd
192D2257	blue	12V AC/DC	9mA AC / 17mA DC	450mcd
192D225W	white	12V AC/DC	9mA AC / 17mA DC	850mcd
192D2350	red	24V AC/DC	9mA AC / 17mA DC	400mcd
192D2351	green	24V AC/DC	9mA AC / 17mA DC	1200mcd
192D2352	yellow	24V AC/DC	9mA AC / 17mA DC	350mcd
192D2357	blue	24V AC/DC	9mA AC / 17mA DC	450mcd
192D235W	white	24V AC/DC	9mA AC / 17mA DC	850mcd

Lichtstärkedaten der verwendeten LED bei DC-Betrieb / Luminous intensity data of the LED on direct voltage

Maximale Frontplattenstärke 8,5mm / Maximum panel thickness 8.5mm

Andere Spannungen auf Anfrage / Other voltages on request

EINBAUDURCHMESSER
MOUNTING HOLE

6 mm

8 mm

12 mm

14 mm

16 mm

19 mm

22 mm

ZUBEHÖR
ACCESSORIES