

DIN RAIL ENCLOSURES

Extendable Module Enclosures

PCB
TERMINAL
BLOCKS

INTER-
CONNECTION

FUSES &
FUSE-
HOLDERS

LEDs &
INDICATORS

MINIATURE
SWITCHES

LIMIT &
SAFETY
SWITCHES

CONTROL
PRODUCTS

INTERFACE
MODULES &
SUPPORTS

RELAY
BASES

**DIN RAIL
ENCLOSURES**

BATTERIES

SOLAR
PANELS

TRANS-
FORMERS

- 17.5mm width module enclosure, extendable enclosure has a detachable end plate
- Extension piece is sideless
- Each module, has 8 removable screw terminals
- Top hat 35mm DIN rail or surface mounting
- Moulded in flame retardant UL94-V0
- *DIN Rail Clips are not supplied with CMEB/E*
- Additional black clips are available on request

SPECIFICATION

Rating terminals	8A/250VAC
Cable entry	2x2.5mm ² Solid or Standard
Terminal protection	IP20

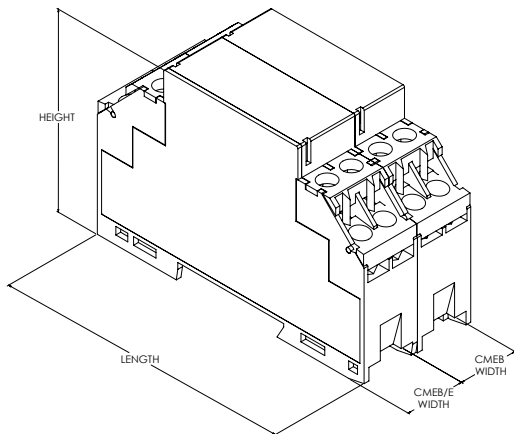
CMEB



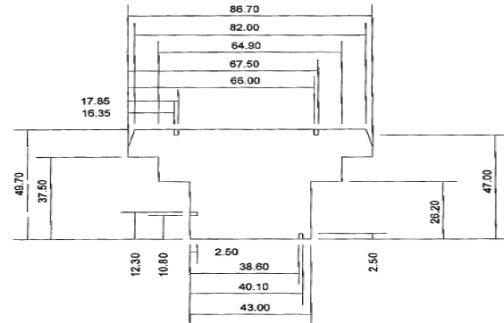
CMEB/E



TYPE NO.	LENGTH	WIDTH	HEIGHT	DESCRIPTION
CMEB	90mm	17.5mm	59mm	17.5mm module box
CMEB/E	90mm	17.5mm	59mm	Extension



CMEB max PCB Dimensions



CMEB/E max PCB Dimensions

