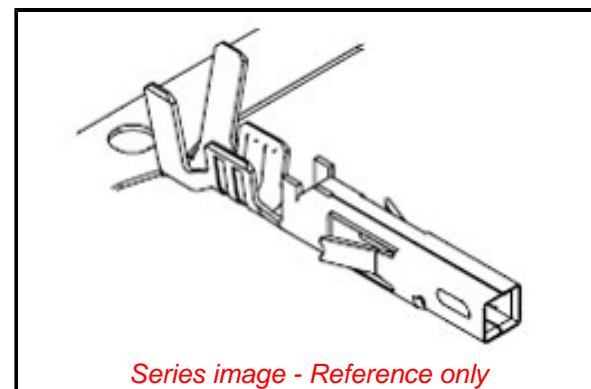


**PLEASE CHECK WWW.MOLEX.COM FOR LATEST PART INFORMATION**

**Part Number:** [0460181541](#)  
**Status:** **Active**  
**Overview:** Mini-Fit Plus Connector System  
**Description:** Mini-Fit Plus High Mating Cycle Female Crimp Terminal, 18-20 AWG, Reel, Select Gold (Au) Plating with Proprietary Molex Advanced Contact Surface Finish (CSF) in Contact Area

**Documents:**

|  |  |
|--|--|
| <a href="#">Drawing (PDF)</a>                                | <a href="#">Packaging Specification PK-46018-001 (PDF)</a> |
| <a href="#">Product Specification PS-46018-004-001 (PDF)</a> | <a href="#">RoHS Certificate of Compliance (PDF)</a>       |
| <a href="#">Product Specification TS-46018-001-001 (PDF)</a> |  |



**General**

|                                  |  |
|----------------------------------|--|
| Product Family                   | Crimp Terminals  |
| Series                           | 46018  |
| Application                      | Power  |
| Comments                         | Current Rating = 9A Max. Using 18 AWG Wire and 7A Max. Using 20 AWG Wire |
| Crimp Quality Equipment Overview | Yes  |
| Packaging Alternative            | <u>Mini-Fit Plus Connector System</u>                                    |
| Product Name                     | 46018-1542 (Loose)   |
| UPC                              | Mini-Fit Plus<br>822350560474  |

**Physical**

|                                |                      |
|--------------------------------|----------------------|
| Gender                         | Female               |
| Material - Metal               | Copper Alloy         |
| Material - Plating Mating      | Gold                 |
| Material - Plating Termination | Tin                  |
| Net Weight                     | 0.150/g              |
| Packaging Type                 | Reel                 |
| Plating min - Mating           | 0.051µm              |
| Plating min - Termination      | 2.540µm              |
| Termination Interface: Style   | Crimp or Compression |
| Wire Insulation Diameter       | 1.65-2.95mm          |
| Wire Size AWG                  | 18, 20               |
| Wire Size mm <sup>2</sup>      | N/A                  |

**Electrical**

|                               |       |
|-------------------------------|-------|
| Current - Maximum per Contact | 13.0A |
| Voltage - Maximum             | 600V  |

**Solder Process Data**

|                              |     |
|------------------------------|-----|
| Lead-free Process Capability | N/A |
|------------------------------|-----|

**Material Info**

**Reference - Drawing Numbers**

|                         |                                    |
|-------------------------|------------------------------------|
| Packaging Specification | PK-46018-001                       |
| Product Specification   | PS-46018-004-001, TS-46018-001-001 |
| Sales Drawing           | SD-46018-001-001                   |

**EU ELV**

**Not Relevant**

**EU RoHS**

**Compliant**

**REACH SVHC**

Not Contained Per  
-ED/01/2018 (15  
January 2018)

**Halogen-Free**

**Status**

**Low-Halogen**

**Need more information on product environmental compliance?**

Email [productcompliance@molex.com](mailto:productcompliance@molex.com)  
Please visit the [Contact Us](#) section for any non-product compliance questions.

|                 |               |
|-----------------|---------------|
| China ROHS      | Green Image   |
| ELV             | Not Relevant  |
| RoHS Phthalates | Not Contained |

**Search Parts in this Series**

[46018](#) Series

**Mates With**

Mini-Fit Plus Crimp Terminal [46012](#)  
<br>Mini-Fit Plus Header [46011](#) , [46014](#)  
, [46015](#) <br>Mini-Fit BMI Header [44068](#) ,  
[42404](#) , [43810](#) <br>Mini-Fit Jr. Header [5569](#)  
<br>Mini-Fit TPA Header [30070](#)

**Use With**

Mini-Fit Jr. Receptacles [5557](#) <br>Mini-Fit TPA Receptacles [30067](#) <br>Mini-Fit BMI Panel Mount Receptacles [42474](#) <br>Mini-Fit BMI Panel Mount Slide-N-Lock Receptacles [44516](#)

**PLEASE CHECK [WWW.MOLEX.COM](http://WWW.MOLEX.COM) FOR LATEST PART INFORMATION**