

microSD Class 10 card series

Description

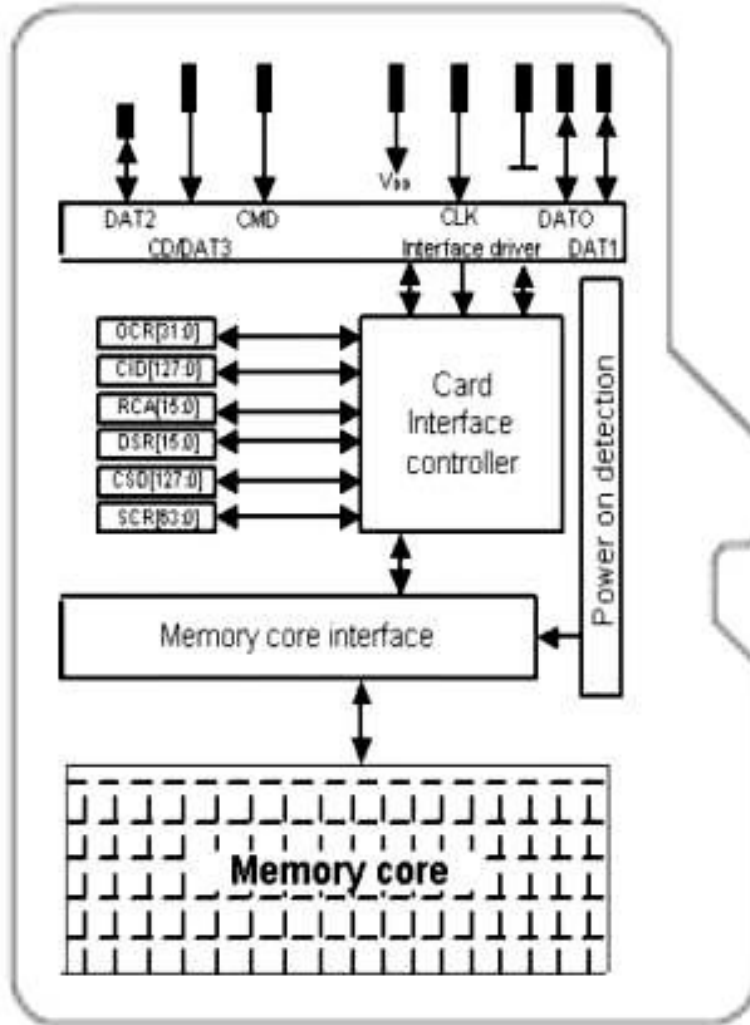
Today's advanced smartphones and tablets are fast and powerful, with memory-hungry Apps and Full-HD recording capabilities that perform best with high-speed storage media. Transcend's Premium series microSDXC/SDHC Class 10 cards offer extra storage capacity with superior read/write speeds that keep pace with your mobile lifestyle.

Features

- Fully compliant with the SD 3.0 standard
- Class 10 speed rating guarantees fast and reliable write performance
- Built-in Error Correcting Code (ECC) to detect and correct transfer errors
- Exclusive RecoveRx photo recovery software

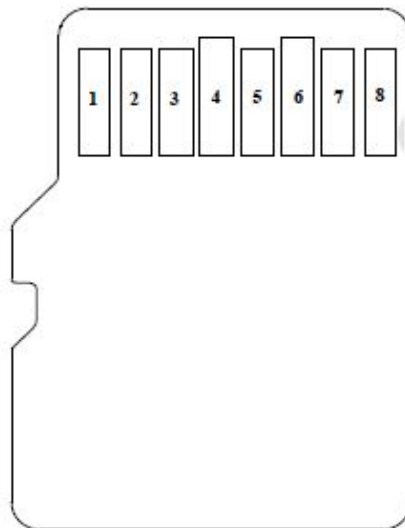


Architecture



Pin Definition

Pin No.	SD Mode		SPI Mode	
	Name	Description	Name	Description
1	DAT2	Data Line [Bit2]	RSV	Reserved
2	CD/DAT3	Card Detect / Data Line [Bit3]	CS	Chip Select
3	CMD	Command / Response	DI	Data In
4	V _{DD}	Supply voltage	V _{DD}	Supply voltage
5	CLK	Clock	SCLK	Clock
6	V _{SS}	Supply voltage ground	V _{SS}	Supply voltage ground
7	DAT0	Data Line [Bit0]	DO	Data out
8	DAT1	Data Line [Bit1]	RSV	Reserved



Specifications

Physical Specification		
Form Factor		microSD
Dimensions (mm)	Length	11.00 ± 0.1
	Width	15.00 ± 0.1
	Height	0.7 ± 0.1

Performance	
Model P/N	Read Performance
TS4GUSDC10	Up to 20MB/S
TS4GUSDHC10	
TS8GUSDC10	
TS8GUSDHC10	
TS16GUSDC10	Up to 30MB/S
TS16GUSDHC10	
TS32GUSDC10	
TS32GUSDHC10	
TS64GUSDXC10	Up to 45MB/S

Note: Maximum transfer speed recorded

* 25 °C , 4GB DRAM, Windows® 7 with Transcend RDF5, benchmark utility Crystal DiskMark (version 3.0), copied file 1000MB, unit MB/s

Environmental Specifications	
Operating Temperature	-25 °C to 85 °C
Storage Temperature	- 40 °C to 85 °C
Durability	10.000 mating cycles;
Drop test	1.5m free fall
Regulator	CE/FCC/BSMI

The above technical information is based on industry standard data and has been tested to be reliable. However, Transcend makes no warranty, either expressed or implied, as to its accuracy and assumes no liability in connection with the use of this product. Transcend reserves the right to make changes to the specifications at any time without prior notice.

Order information

Capacity	Transcend Part Number
4GB	TS4GUSDC10
	TS4GUSDHC10*
8GB	TS8GUSDC10
	TS8GUSDHC10*
16GB	TS16GUSDC10
	TS16GUSDHC10*
32GB	TS32GUSDC10
	TS32GUSDHC10*
64GB	TS64GUSDXC10*

*with adapter



TAIWAN

E-mail: sales-tw@transcend-info.com

USA

Los Angeles:

E-mail: sales-us@transcend-info.com

Maryland:

E-mail: sales-us@transcend-info.com

Miami:

E-mail: sales-us@transcend-info.com

Silicon Valley:

E-mail: sales-us@transcend-info.com

GERMANY

E-mail: sales-de@transcend-info.com

THE NETHERLANDS

E-mail: sales-nl@transcend-info.com

United Kingdom

E-mail: sales-uk@transcend-info.com

JAPAN

E-mail: sales-jp@transcend-info.com

KOREA

E-mail: sales-kr@transcend-info.com

CHINA

E-mail: sales@transcendchina.com

HONG KONG

E-mail: sales-hk@transcend-info.com

Revision History

Version	Date	Note
1.0	2016/04/06	The 1 st edition
1.1	2017/04/13	Update Performance