

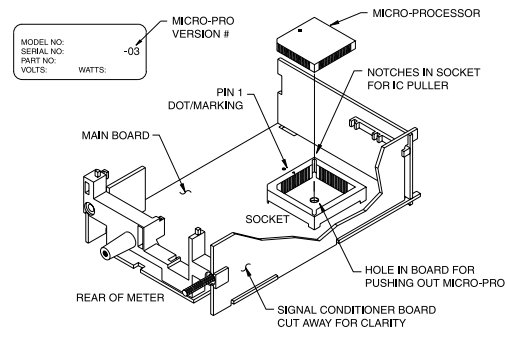
**ISOLATED ANALOG OUTPUT OPTION ADDENDUM
For the Scale Meter**



These changes are the result of the following product enhancement:

- New Isolated Analog Output Option Card improved for speed and accuracy.

If you have purchased your main board unit in the past, and are now purchasing the new Isolated Analog Output Option Card, you will need to change your micro-processor to a Version -04 (or newer). Look on the Serial Label on your meter's case for the micro-processor version number. If nothing is listed, or it is -03 (or older), you will need to change the micro-processor.



**FIGURE 1
UNIT REMOVED FROM CASE**

- Dis-assemble meter as described in your Owners manual.
- Remove main board unit from case.
 - Remove micro-processor with an IC puller or a small screwdriver (or similar object) by pushing underneath micro-processor on backside of main board.
 - Install new micro-processor Version -04 (or newer), by pushing into socket, making sure to align Pin 1 dot on micro-processor label with Pin 1 dot on main board.
 - Re-assemble unit.

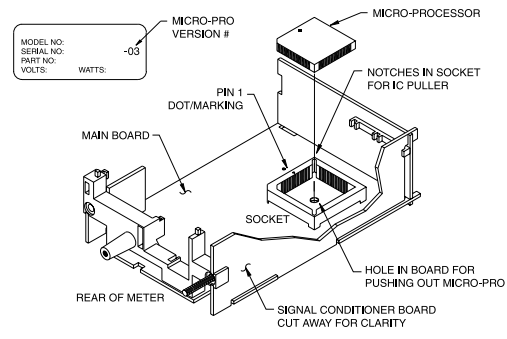
**ISOLATED ANALOG OUTPUT OPTION ADDENDUM
For the Scale Meter**



These changes are the result of the following product enhancement:

- New Isolated Analog Output Option Card improved for speed and accuracy.

If you have purchased your main board unit in the past, and are now purchasing the new Isolated Analog Output Option Card, you will need to change your micro-processor to a Version -04 (or newer). Look on the Serial Label on your meter's case for the micro-processor version number. If nothing is listed, or it is -03 (or older), you will need to change the micro-processor.



**FIGURE 1
UNIT REMOVED FROM CASE**

- Dis-assemble meter as described in your Owners manual.
- Remove main board unit from case.
 - Remove micro-processor with an IC puller or a small screwdriver (or similar object) by pushing underneath micro-processor on backside of main board.
 - Install new micro-processor Version -04 (or newer), by pushing into socket, making sure to align Pin 1 dot on micro-processor label with Pin 1 dot on main board.
 - Re-assemble unit.

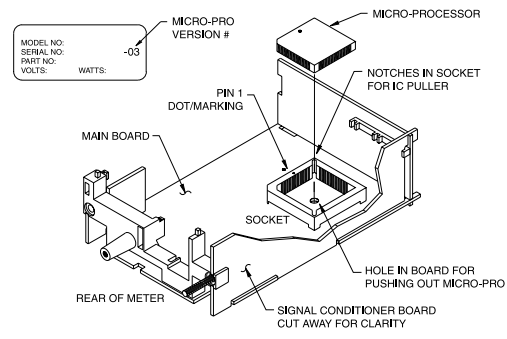
**ISOLATED ANALOG OUTPUT OPTION ADDENDUM
For the Scale Meter**



These changes are the result of the following product enhancement:

- New Isolated Analog Output Option Card improved for speed and accuracy.

If you have purchased your main board unit in the past, and are now purchasing the new Isolated Analog Output Option Card, you will need to change your micro-processor to a Version -04 (or newer). Look on the Serial Label on your meter's case for the micro-processor version number. If nothing is listed, or it is -03 (or older), you will need to change the micro-processor.



**FIGURE 1
UNIT REMOVED FROM CASE**

- Dis-assemble meter as described in your Owners manual.
- Remove main board unit from case.
 - Remove micro-processor with an IC puller or a small screwdriver (or similar object) by pushing underneath micro-processor on backside of main board.
 - Install new micro-processor Version -04 (or newer), by pushing into socket, making sure to align Pin 1 dot on micro-processor label with Pin 1 dot on main board.
 - Re-assemble unit.

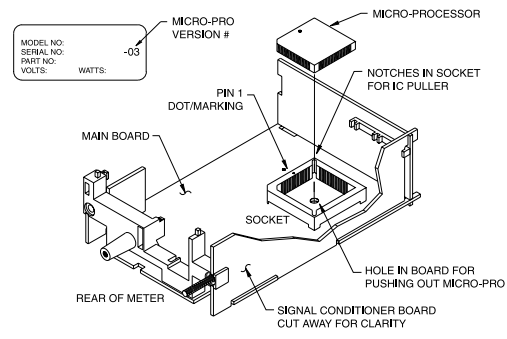
**ISOLATED ANALOG OUTPUT OPTION ADDENDUM
For the Scale Meter**



These changes are the result of the following product enhancement:

- New Isolated Analog Output Option Card improved for speed and accuracy.

If you have purchased your main board unit in the past, and are now purchasing the new Isolated Analog Output Option Card, you will need to change your micro-processor to a Version -04 (or newer). Look on the Serial Label on your meter's case for the micro-processor version number. If nothing is listed, or it is -03 (or older), you will need to change the micro-processor.



**FIGURE 1
UNIT REMOVED FROM CASE**

- Dis-assemble meter as described in your Owners manual.
- Remove main board unit from case.
 - Remove micro-processor with an IC puller or a small screwdriver (or similar object) by pushing underneath micro-processor on backside of main board.
 - Install new micro-processor Version -04 (or newer), by pushing into socket, making sure to align Pin 1 dot on micro-processor label with Pin 1 dot on main board.
 - Re-assemble unit.