

# CGA2B1C0G2A102J050BC

TDK Item Description : CGA2B1C0G2A102JT\*\*\*



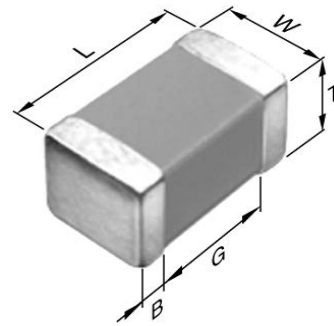
Equivalent C1005C0G2A102J for Automotive

## Application & Main Feature

Automotive Grade ( Mid Volatage (100 to 630V) )

## Series

CGA2(1005) [EIA 0402]



## Dimensions

L	1.00mm +/-0.05mm
W	0.50mm +/-0.05mm
T	0.50mm +/-0.05mm
B	0.10mm Min.
G	0.30mm Min.

## Temperature Characteristic

C0G (-55 to 125 degC 0+/-30ppm/degC)

## Rated Voltage

2A (100Vdc)

## Capacitance

1nF

## Capacitance Tolerance

J (+/-5%)

## Q Factor

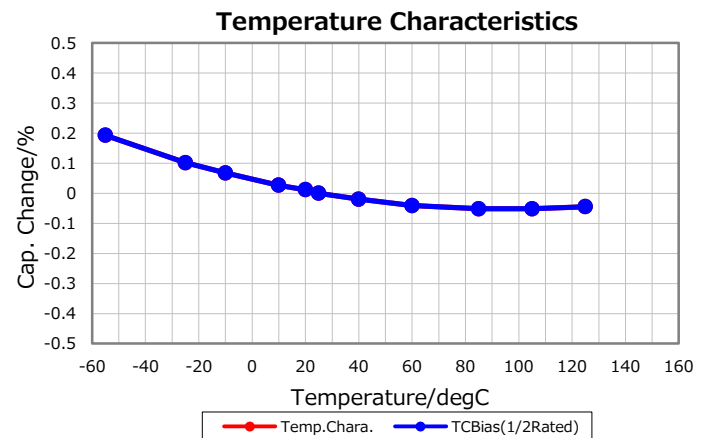
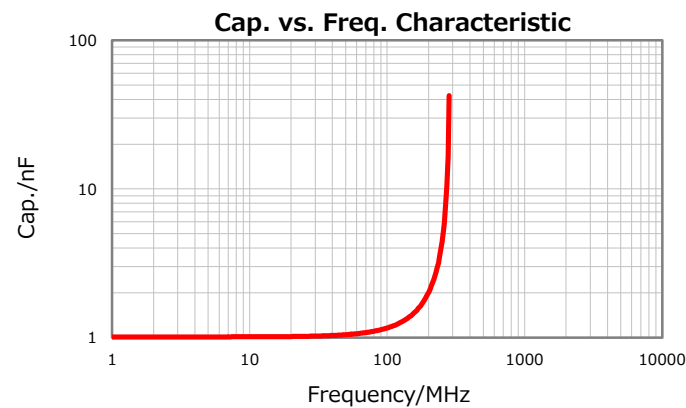
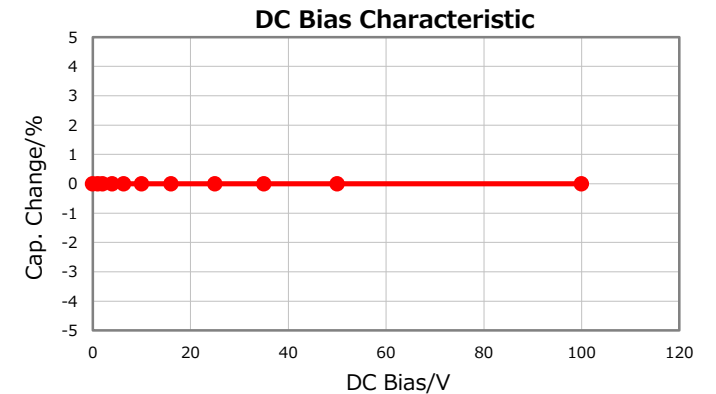
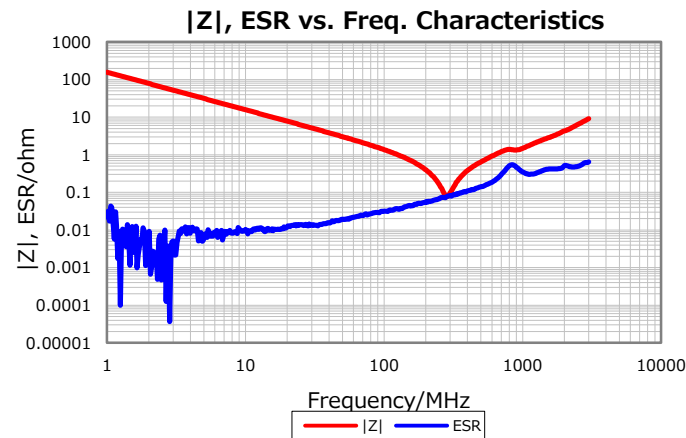
1000 Min.

## Insulation Resistance

10Gohm Min

## AEC-Q200

Yes



Characterization Sheet ( Multilayer Ceramic Chip Capacitors )



All specifications are subject to change without notice.

July 6, 2016