

CGA4C4NP02W221J060AA

TDK Item Description : CGA4C4NP02W221T***



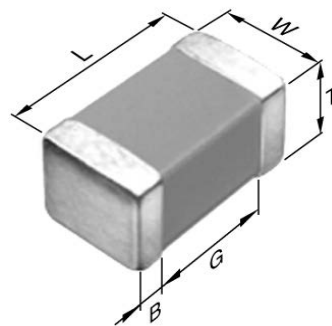
Equivalent C2012NP02W221J for Automotive

Application & Main Feature

Automotive Grade (High Temperature Application)

Series

CGA4(2012) [EIA CC0805]



Dimensions

| | |
|---|-----------------|
| L | 2.00mm +/-0.2mm |
| W | 1.25mm +/-0.2mm |
| T | 0.60 +/-0.15mm |
| B | 0.2mm Min. |
| G | 0.5mm Min. |

Temperature Characteristic

NP0 (-55 to 150 degC 0+/-30ppm/degC)

Rated Voltage

2W (450Vdc)

Capacitance

220pF

Capacitance Tolerance

J (+/-5%)

Q Factor

1000 Min.

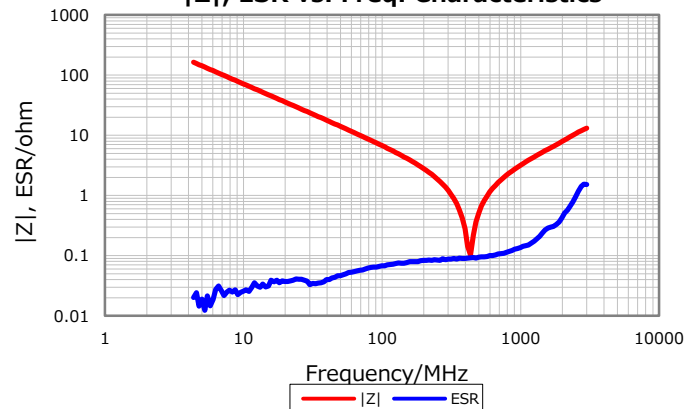
Insulation Resistance

10Gohm Min

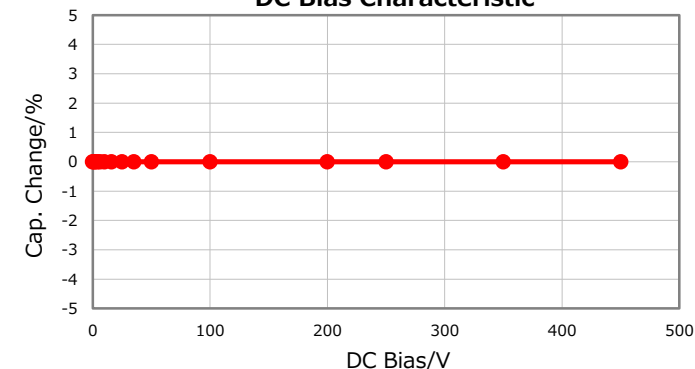
AEC-Q200

Yes

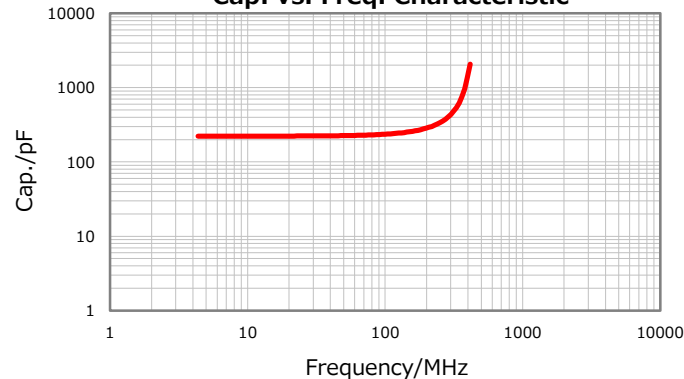
|Z|, ESR vs. Freq. Characteristics



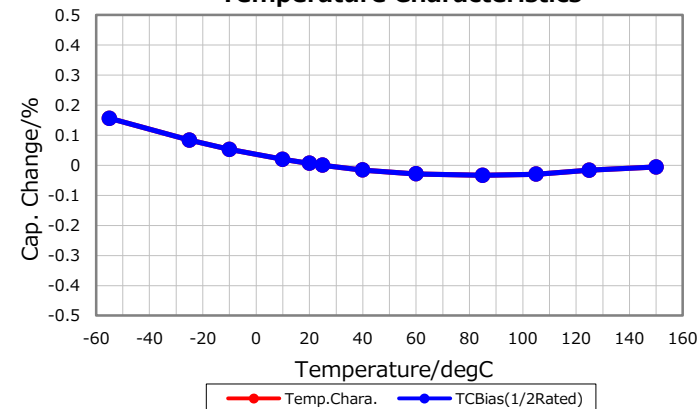
DC Bias Characteristic



Cap. vs. Freq. Characteristic



Temperature Characteristics



Characterization Sheet (Multilayer Ceramic Chip Capacitors)



All specifications are subject to change without notice.

April 13, 2016