

CGA4J1C0G2A223J125AC

TDK Item Description : CGA4J1C0G2A223JT***



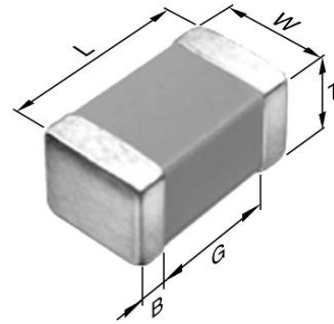
Equivalent C2012C0G2A223J for Automotive

Application & Main Feature

Automotive Grade (Mid Volatage (100 to 630V))

Series

CGA4(2012) [EIA 0805]



Dimensions

| | |
|---|-----------------|
| L | 2.00mm +/-0.2mm |
| W | 1.25mm +/-0.2mm |
| T | 1.25mm +/-0.2mm |
| B | 0.20mm Min. |
| G | 0.50mm Min. |

Temperature Characteristic

C0G (-55 to 125 degC 0+/-30ppm/degC)

Rated Voltage

2A (100Vdc)

Capacitance

22nF

Capacitance Tolerance

J (+/-5%)

Q Factor

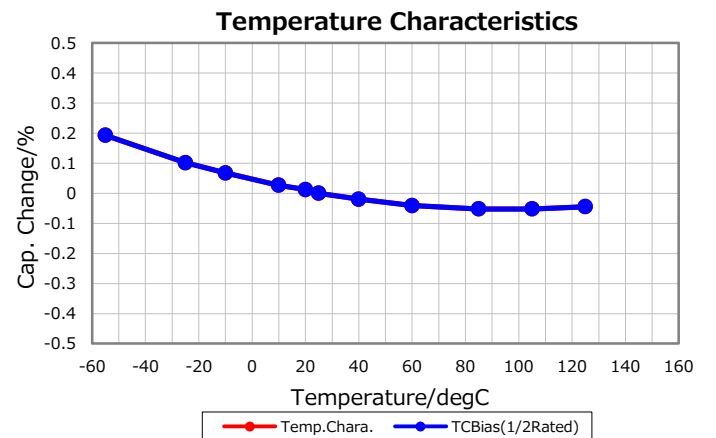
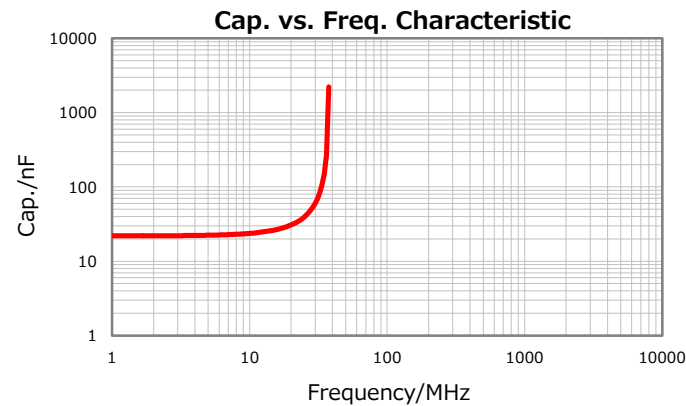
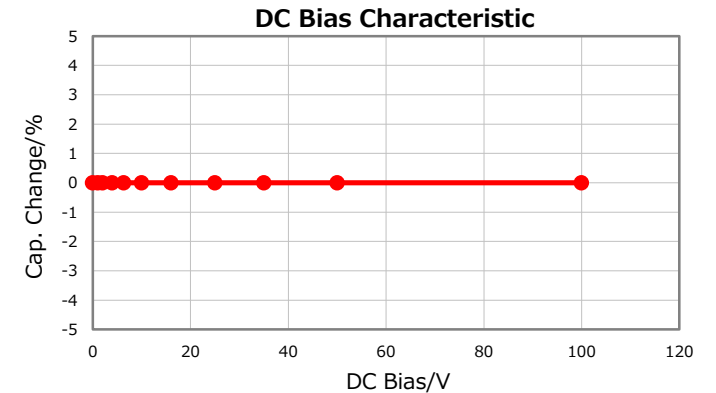
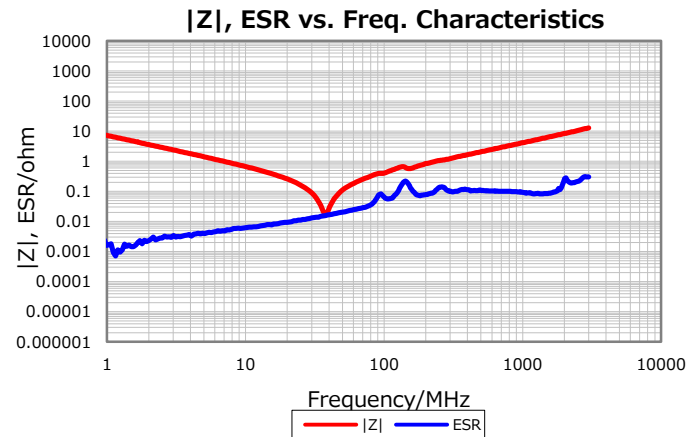
1000 Min.

Insulation Resistance

10Gohm Min

AEC-Q200

Yes



Characterization Sheet (Multilayer Ceramic Chip Capacitors)



All specifications are subject to change without notice.

July 6, 2016