

# CGA4J4NP02W472J125AA

TDK Item Description : CGA4J4NP02W472T\*\*\*\*



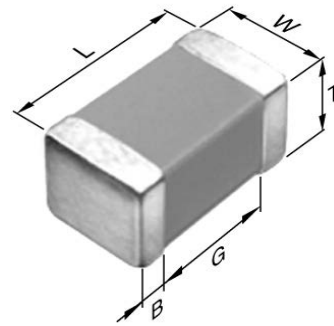
Equivalent C2012NP02W472J for Automotive

## Application & Main Feature

Automotive Grade ( High Temperature Application )

## Series

CGA4(2012) [EIA CC0805]



## Dimensions

L	2.00mm +/-0.2mm
W	1.25mm +/-0.2mm
T	1.25 +/-0.2mm
B	0.2mm Min.
G	0.5mm Min.

## Temperature Characteristic

NP0 (-55 to 150 degC 0+/-30ppm/degC)

## Rated Voltage

2W (450Vdc)

## Capacitance

4.7nF

## Capacitance Tolerance

J (+/-5%)

## Q Factor

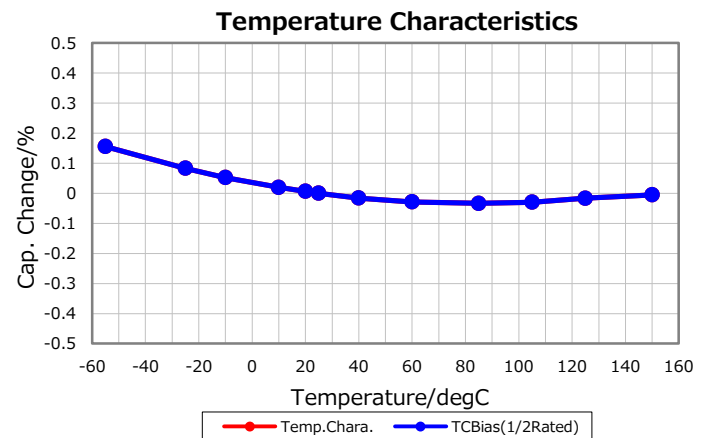
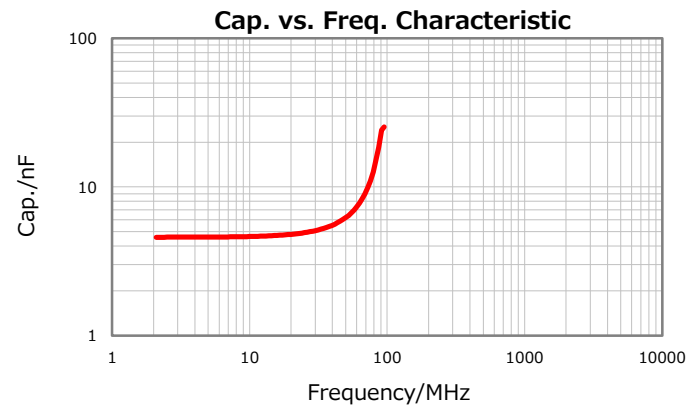
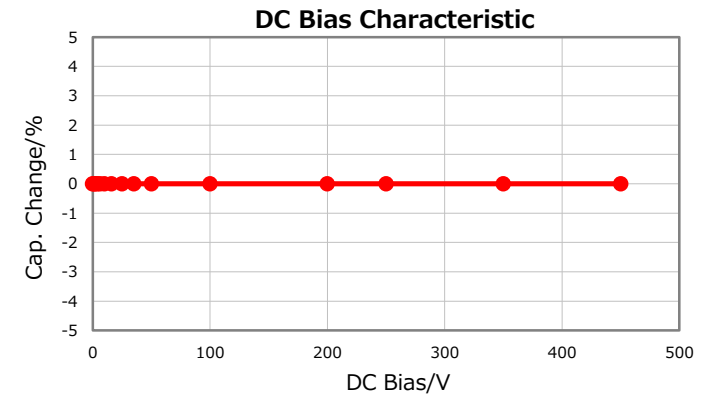
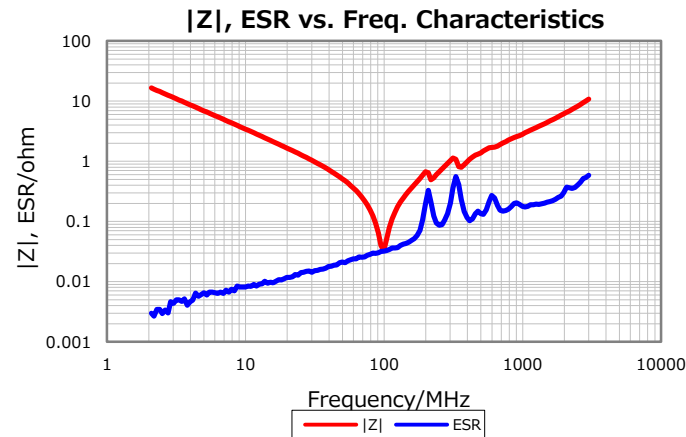
1000 Min.

## Insulation Resistance

10Gohm Min

## AEC-Q200

Yes



Characterization Sheet ( Multilayer Ceramic Chip Capacitors )



All specifications are subject to change without notice.

April 13, 2016