

# CGA5H1C0G2A473J115AC

TDK Item Description : CGA5H1C0G2A473JT\*\*\*\*



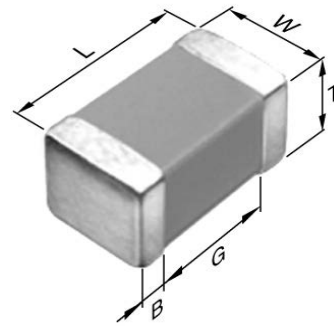
Equivalent C3216C0G2A473J for Automotive

## Application & Main Feature

Automotive Grade ( Mid Volatage (100 to 630V) )

## Series

CGA5(3216) [EIA 1206]



## Dimensions

L	3.20mm +/-0.2mm
W	1.60mm +/-0.2mm
T	1.15mm +/-0.15mm
B	0.20mm Min.
G	1.00mm Min.

## Temperature Characteristic

C0G (-55 to 125 degC 0+/-30ppm/degC)

## Rated Voltage

2A (100Vdc)

## Capacitance

47nF

## Capacitance Tolerance

J (+/-5%)

## Q Factor

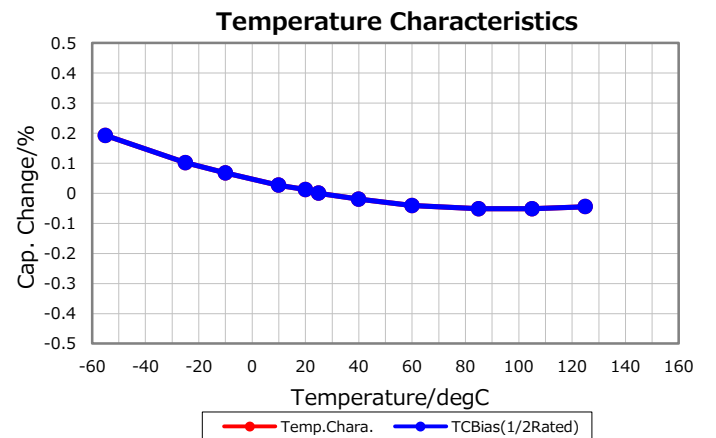
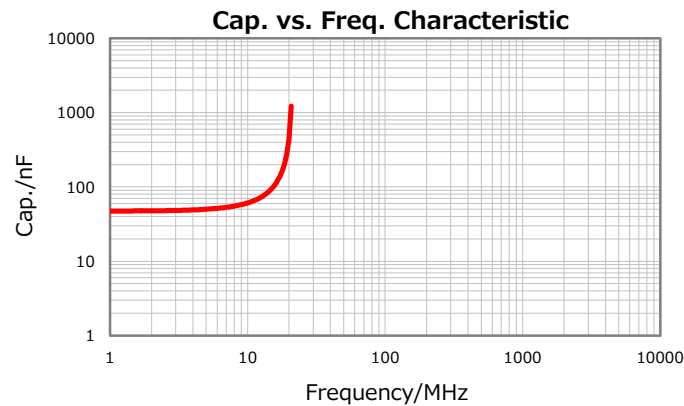
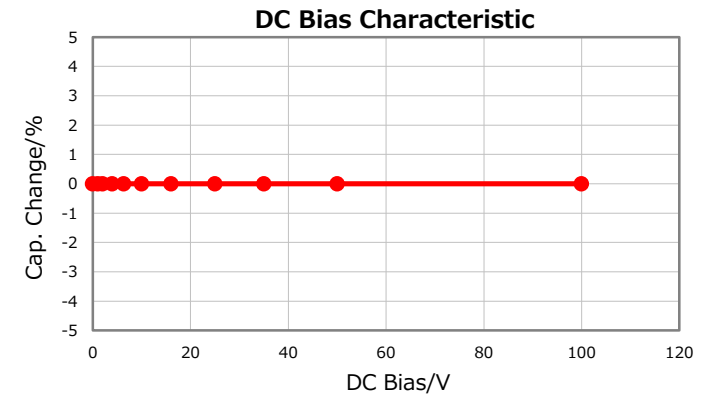
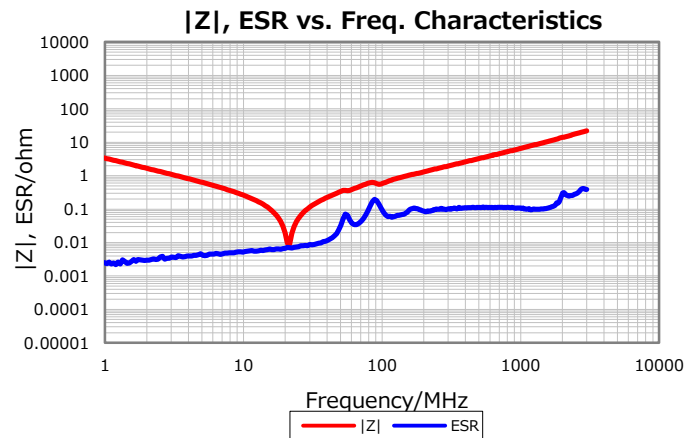
1000 Min.

## Insulation Resistance

10Gohm Min

## AEC-Q200

Yes



Characterization Sheet ( Multilayer Ceramic Chip Capacitors )



All specifications are subject to change without notice.

July 6, 2016