

CGA6P3NP02E473J250AA

TDK Item Description : CGA6P3NP02E473T****



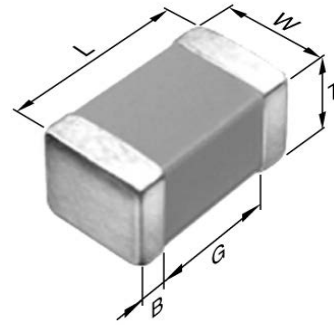
Equivalent C3225NP02E473J for Automotive

Application & Main Feature

Automotive Grade (High Temperature Application)

Series

CGA6(3225) [EIA CC1210]



Dimensions

L	3.20mm +/-0.4mm
W	2.50mm +/-0.3mm
T	2.50mm +/-0.3mm
B	0.20mm Min.
G	

Temperature Characteristic

NP0 (-55 to 150 degC 0+/-30ppm/degC)

Rated Voltage

2E (250Vdc)

Capacitance

47nF

Capacitance Tolerance

J (+/-5%)

Q Factor

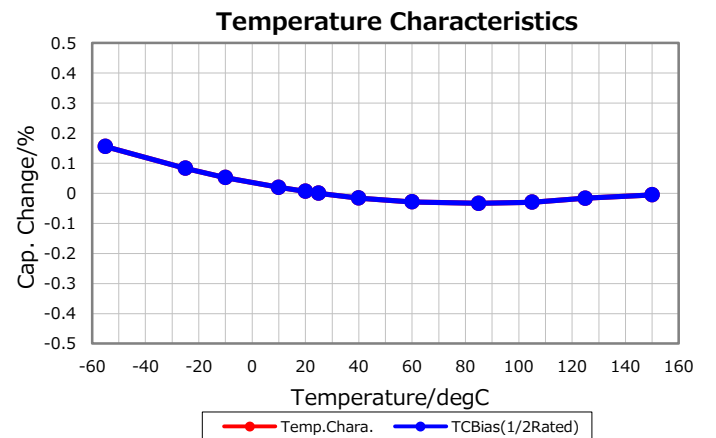
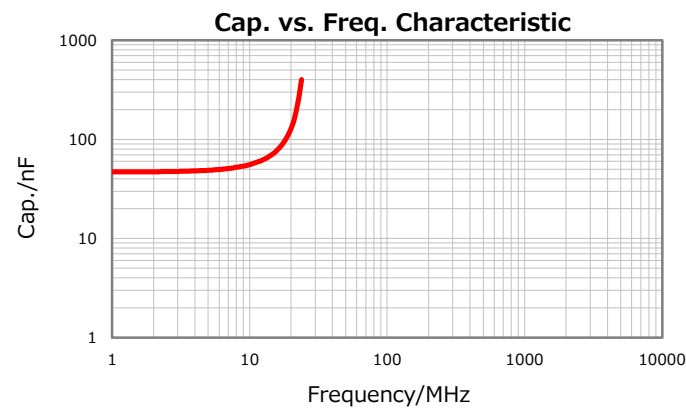
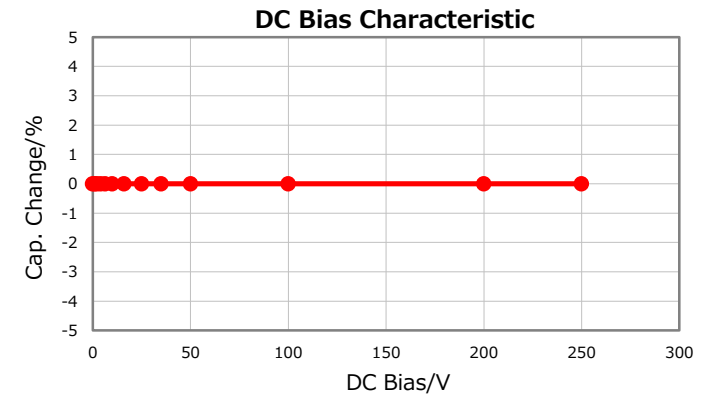
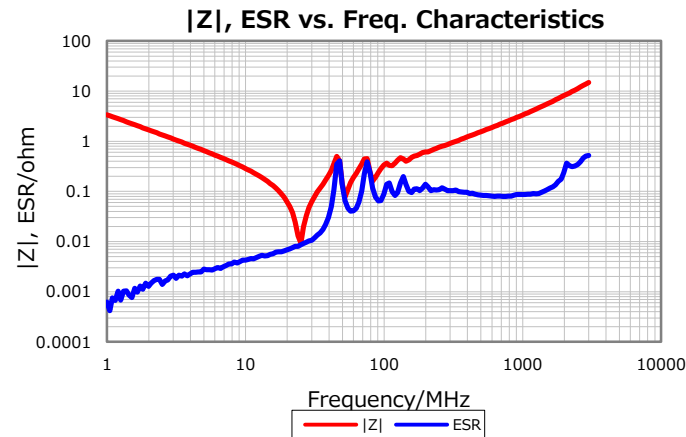
1000 Min.

Insulation Resistance

10Gohm Min

AEC-Q200

Yes



Characterization Sheet (Multilayer Ceramic Chip Capacitors)



All specifications are subject to change without notice.

April 13, 2016