

Reset buttons

Smile

Smile reset buttons have compact housings with M12 connectors for easy connection.

The reset button contains an integrated white LED, and all buttons are delivered with a kit of colored filters to snap on the top of the button. In this way the color of the button can be chosen after delivery and is also possible to be changed later.

The different models also allow a choice of:

- local reset connected directly to the sensor, or
- global reset connected to the safety control module.



Easy to install

Easy to attach to profiles

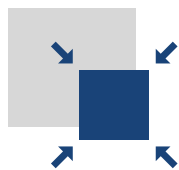
The centered mounting holes make Smile easy to attach to e.g. aluminum extrusions profiles.

Speed up installation

The housing requires no assembly and the M12 connectors speed up installation and reduce the risk of connection error.

Local reset

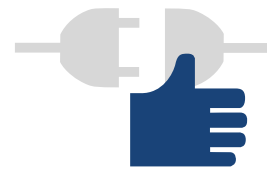
Local reset allows to have the reset button close to the safety device while reducing cabling.



Space saving

Compact housing

A compact and appealing housing saves space and makes it easy to place.



Optimum interface

Several button colors

All reset buttons are illuminated with a white LED and the color of each button can be chosen after delivery and changed later using colored snap-on filters.

Ordering information

Smile reset buttons



Smile 11 R01

2TLCT172018V0201

Ordering details

Type of contact	Intended use	Connectors	Type	Order code
1 NO	Most reset applications	M12-5 male	Smile 11 RA	2TLA030053R0000
1 NO	Pluto Safety PLC light button function*	M12-5 male	Smile 11 RB	2TLA030053R0100
1 NO	Local reset of Orion1 Base	M12-5 male	Smile 11R01	2TLA022316R3000
1 NC	Local reset of Orion2 Base and Extended, and Orion3 Extended	M12-5 male	Smile 11R02	2TLA022316R3100
1 NC	Local reset of Orion3 Base	M12-5 male	Smile 11R03	2TLA022316R3200
1 NO	Local reset of Eden DYN-Reset M12-5 and Eden OSSD-Reset M12-5	M12-5 male + female	Smile 12 RF	2TLA030053R2600
1 NO	Local reset of Eden OSSD-Reset M12-8	M12-8 male + female	Smile 12 RG	2TLA030053R2700

* See Pluto hardware manual for more information about the light button function

Accessories

Description	Type	Order code
Y-connector for series connection of DYNlink devices with M12-5 connectors, e.g. Eden.	M12-3A	2TLA020055R0000
Y-connector for series connection of Adam OSSD M12-8 with M12-5 cables	M12-3H	2TLA020055R0800
Y-connector for series connection of Adam OSSD M12-8 with M12-8 cables	M12-3G	2TLA020055R0700
Y-connector for connection of Smile reset button to Orion.	M12-3R	2TLA022316R0000
Adaptation unit of OSSD outputs to DYNlink signals for use with Vital control module or Pluto Safety PLC. Tina 10B has an extra M12 connector for connection of a reset button.	Tina 10B	2TLA020054R1300



M12-3x

2TLCT172623F0201



Tina 10B

2TLCT172475F0201



Colored filters

2TLCT172725F0201

Spare parts

Description	Type	Order code
Kit of colored filters (yellow, green, white, blue, red)	Colored filters	2TLA030059R2600

Cables

Smile reset buttons

Cables for Smile 12 RF (with Eden DYN/OSSD Reset M12-5)

Description	Female/male	Length	Type	Order code	Eden Reset M12-5 to Smile 12 RF	Smile 12 RF to M12-3A	M12-3A to M12-3A	El-cabinet to M12-3A	M12-3A to el-cabinet	
M12-5	Female	6 m	M12-C61	2TLA020056R0000				X		
		10 m	M12-C101	2TLA020056R1000				X		
		20 m	M12-C201	2TLA020056R1400				X		
	Female + male	1 m	M12-C112	2TLA020056R2000		X	X	X		
		3 m	M12-C312	2TLA020056R2100		X	X	X		
		6 m	M12-C612	2TLA020056R2200		X	X	X		
		10 m	M12-C1012	2TLA020056R2300		X	X	X		
		20 m	M12-C2012	2TLA020056R2400		X	X	X		
	Male	6 m	M12-C62	2TLA020056R0200						X
		10 m	M12-C102	2TLA020056R1200						X

Cables for Smile 12 RG (with Eden DYN/OSSD Reset M12-8)

Description	Female/male	Length	Type	Order code	Eden Reset M12-8 to Smile 12 RG	Smile 12 RG to M12-3G or M12-3H	M12-3G to M12-3G	El-cabinet to M12-3G	M12-3G to el-cabinet	M12-3H to M12-3H	El-cabinet to M12-3H	M12-3H to el-cabinet	
M12-5	Female	6 m	M12-C61	2TLA020056R0000							X		
		10 m	M12-C101	2TLA020056R1000							X		
		20 m	M12-C201	2TLA020056R1400							X		
	Female + male	1 m	M12-C112	2TLA020056R2000						X			
		3 m	M12-C312	2TLA020056R2100						X			
		6 m	M12-C612	2TLA020056R2200						X			
		10 m	M12-C1012	2TLA020056R2300						X			
		20 m	M12-C2012	2TLA020056R2400						X			
	Male	6 m	M12-C62	2TLA020056R0200									X
		10 m	M12-C102	2TLA020056R1200									X
M12-8	Female	6 m	M12-C63	2TLA020056R3000				X					
		10 m	M12-C103	2TLA020056R4000				X					
		20 m	M12-C203	2TLA020056R4100				X					
	Female + male	1 m	M12-C134	2TLA020056R5000		X	X	X					
		3 m	M12-C334	2TLA020056R5100		X	X	X					
	Male	By meter	M12-C04	2TLA020055R1700					X				

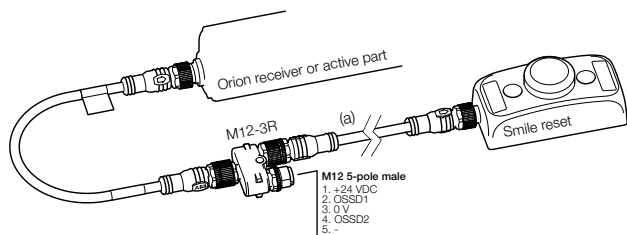
Cables for Smile 11 Rx and ROx

Connector	Female/male	Length	Type	Order code	Smile 11 Rx to another M12	Smile 11 Rx to el-cabinet	Smile 11 ROx to T1na 10B	T1na 10B to el-cabinet	Smile 11 ROx to M12-3R	M12-3R to el-cabinet	T1na 10B to M12-3A	M12-3A to M12-3A	El-cabinet to M12-3A	M12-3A to el-cabinet	
M12-5	Female	6 m	M12-C61	2TLA020056R0000		X		X		X			X		
		10 m	M12-C101	2TLA020056R1000		X		X		X			X		
		20 m	M12-C201	2TLA020056R1400		X		X		X			X		
	Female + male	1 m	M12-C112	2TLA020056R2000		X	X		X		X	X			
		3 m	M12-C312	2TLA020056R2100		X	X		X		X	X			
		6 m	M12-C612	2TLA020056R2200		X	X		X		X	X			
		10 m	M12-C1012	2TLA020056R2300		X	X		X		X	X			
		20 m	M12-C2012	2TLA020056R2400		X	X		X		X	X			
	Male	6 m	M12-C62	2TLA020056R0200											X
		10 m	M12-C102	2TLA020056R1200											X

Connection examples

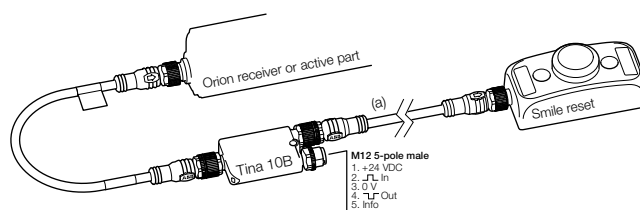
Smile reset buttons

Local reset to Orion with Tina 10A/C



Connection of Smile 11 ROx to Orion through M12-3R. For connection to any control module compatible with OSSD outputs.

Local reset to Orion with Tina 10B



Connection of Smile 11 ROx to Orion through Tina 10B. For connection to Vital control module or Pluto Safety PLC.

Local reset to Eden



Serial connection of Eden with local Smile reset buttons:


- Adam OSSD-Reset M12-8 with Smile 12 RG and M12-3G or M12-3H
- Adam DYN-Reset with Smile 12 RF and M12-3A

Global vs local reset

A global reset is connected directly to the control cabinet with separate cables. The safety controller in the control cabinet supervises the reset and decides the function and actions.

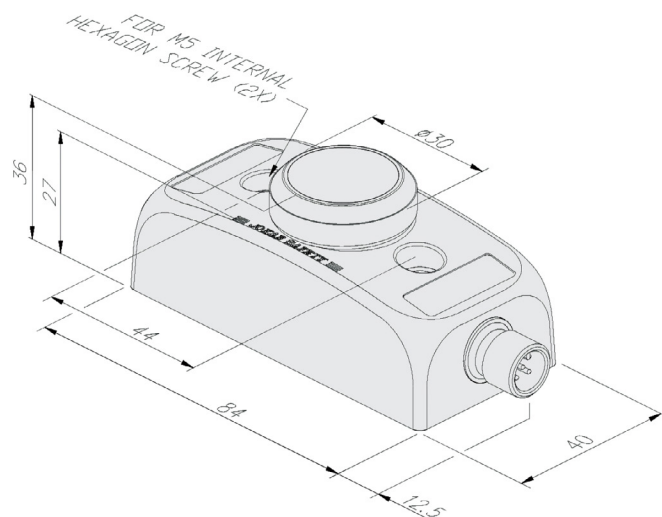
A local reset is connected directly to the safety device, and requires no communication with the control cabinet. The safety device supervises the reset and decides the actions. A local reset simplifies installation and minimizes cabling.

Technical data

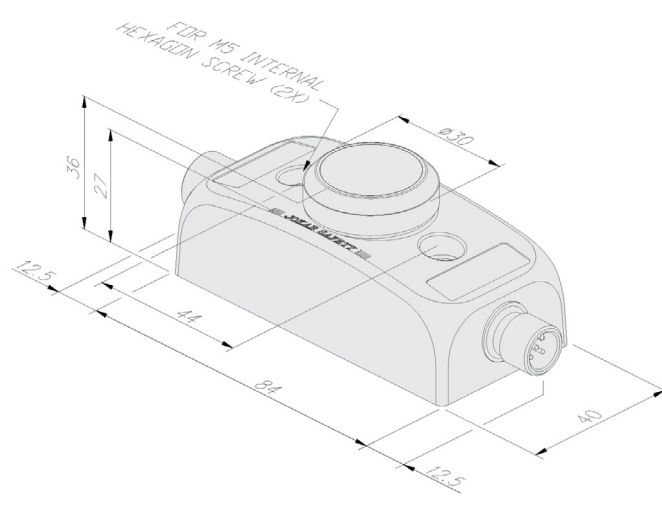
Approvals	
Power supply	
LED operating voltage	+24 VDC (maximum +33 VDC)
LED current consumption	20 mA at +24 VDC, 30 mA at +33 VDC
Push button operating voltage	Min: +5 V, max: +35 V
Push button current	Min: 1 mA, max: 100 mA
Push button rated power	Max: 250 mW
Mechanical data	
Color - Enclosure	Yellow
Color - Push button	White
Material - Housing	Polypropylene PP
Material - Contact	Au
Weight	Approx. 60 g
Protection class	IP65
Mechanical life	1.000.000 operations at 10 mA/+24 VDC
Switching reliability	10 x 10 ⁻⁶ at 5 mA/+24 VDC
Environmental data	
Ambient temperature	-25...+55°C
Humidity range	35 to 85% (with no icing or condensation)

Dimension drawings

Smile 11 R



Smile 12 R



All dimensions in mm

Contact us

ABB AB

Jokab Safety

Varlabergsvägen 11

SE-434 39 Kungsbacka

Tel. +46 (0) 21-32 50 00

www.abb.com/jokabsafety

Note

We reserve the right to make technical changes or modify the contents of this document without prior notice. With regard to purchase orders, the agreed particulars shall prevail. ABB does not accept any responsibility whatsoever for potential errors or possible lack of information in this document.

We reserve all rights in this document and in the subject matter and illustrations contained therein. Any reproduction, disclosure to third parties or utilization of its contents – in whole or in parts – is forbidden without prior written consent of ABB.

Copyright© 2017 ABB
All rights reserved



2TLC172106L0201