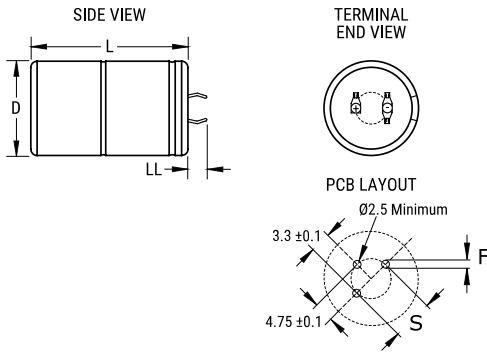


ALA8D, Aluminum Electrolytic, 105C, 360 uF, 20%, 450 VDC, -40/+105C



**Dimensions**

<b>D</b>	30mm +1mm
<b>L</b>	45mm +/-2mm
<b>S</b>	10mm +/-0.1mm
<b>LL</b>	4mm +/-1mm
<b>F</b>	2mm +/-0.1mm

**Packaging Specifications**

<b>Weight:</b>	55 g
<b>Packaging:</b>	Bulk, Bag
<b>Packaging Quantity:</b>	160

**General Information**

<b>Supplier:</b>	KEMET
<b>Series:</b>	ALA8D
<b>Dielectric:</b>	Aluminum Electrolytic
<b>Description:</b>	Snap-In, Aluminum Electrolytic
<b>RoHS:</b>	Yes
<b>Lead:</b>	3 Pin
<b>Qualifications:</b>	AEC-Q200
<b>AEC-Q200:</b>	Yes
<b>Miscellaneous:</b>	Vibration: <= 35mm 1.5mm displacement amplitude or 20G maximum acceleration. Vibration applied for three directions of 4-hour sessions at 10 – 2,000 Hz. (Capacitor clamped by body.)
<b>Shelf Life:</b>	156 Weeks

**Specifications**

<b>Capacitance:</b>	360 uF
<b>Capacitance Tolerance:</b>	20%
<b>Voltage DC:</b>	450 VDC, 495 VDC (Surge)
<b>Temperature Range:</b>	-40/+105C
<b>Rated Temperature:</b>	105C
<b>Life:</b>	7000 Hrs (Rated Voltage And Ripple Current At 105C), 11000 Hrs (Rated Voltage At 105C)
<b>Resistance:</b>	379 mOhms (100Hz 20C), 221.8 mOhms (10kHz 20C)
<b>Ripple Current:</b>	2.15 Amps (100Hz 105C), 5.9 Amps (10kHz 105C)
<b>Leakage Current:</b>	972 uA (5min 20C)