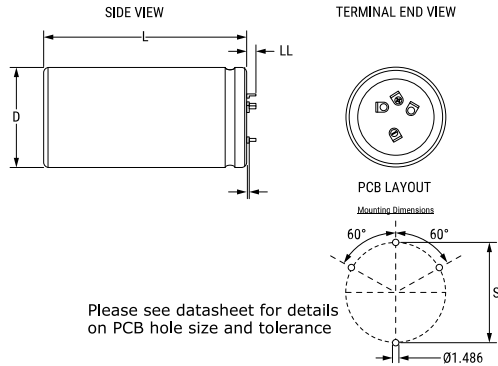


ALF20, Aluminum Electrolytic, 85C, 820 uF, 20%, 600 VDC, -40/+85C



General Information	
Supplier:	KEMET
Series:	ALF20
Dielectric:	Aluminum Electrolytic
Style:	Press-Fit
Description:	Press-Fit, Aluminum Electrolytic
RoHS:	Yes
Lead:	4 Pin Press-Fit
Notes:	Dimensions Include Slewing
Shelf Life:	156 Weeks

Dimensions	
D	40mm +1mm
L	105mm +/-2mm
S	22.5mm +/-0.1mm
LL	5.5mm +/-1mm
F	1.486mm +/-0.076mm

Packaging Specifications	
Weight:	170 g
Packaging:	Bulk
Packaging Quantity:	36

Specifications	
Capacitance:	820 uF
Capacitance Tolerance:	20%
Voltage DC:	600 VDC, 660 VDC (Surge)
Temperature Range:	-40/+85C
Rated Temperature:	85C
Life:	18000 Hrs (Rated Voltage And Ripple Current At 85C), 29000 Hrs (Rated Voltage at 85C)
Resistance:	163 mOhms (100Hz 20C), 113.2 mOhms (10kHz 20C)
Ripple Current:	5 Amps (100Hz 85C), 10.1 Amps (10kHz 85C)
Leakage Current:	2952 uA (5min 20C)