

**DATA SHEET**

Form 254-990215

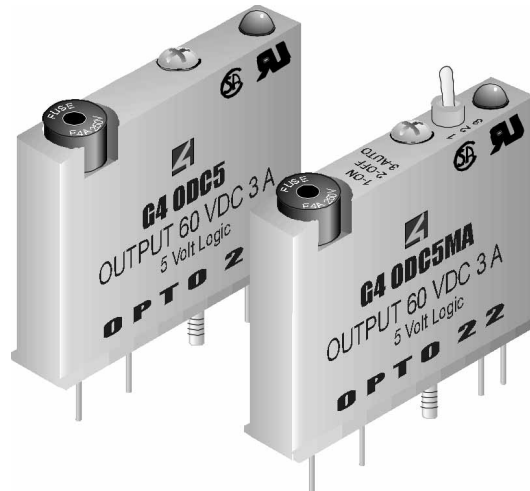
**Description**

Opto 22's G4 DC output modules are used to control or switch DC loads. Each module provides up to 4,000 V<sub>rms</sub> of optical-isolation between field devices and control logic.

The G4ODC5MA is a special module featuring a manual-on/manual-off/automatic switch, ideal for diagnostic testing of control applications.

Typical applications for DC output modules include switching loads such as DC relays, solenoids, motor starters, lamps, and indicators.

Part Number	Description
G4ODC5	G4 DC Output 5-60 VDC, 5 VDC Logic
G4ODC5A	G4 DC Output 5-200 VDC, 5 VDC Logic
G4ODC5MA	G4 DC Output 5-60 VDC, 5 VDC Logic With Manual/Auto Switch
G4ODC15	G4 DC Output 5-60 VDC, 15 VDC Logic
G4ODC24	G4 DC Output 5-60 VDC, 24 VDC Logic
G4ODC24A	G4 DC Output 5-200 VDC, 24 VDC Logic



**Features**

- 4,000 V<sub>rms</sub> optical-isolation
- Built-in LED status indicator
- Logic levels of 5, 15, and 24 VDC
- Removable fuse
- Ability to withstand one-second surge of 5 amps
- Operating temperature: -30° C to 70° C
- UL recognized, CSA certified, CE approved
- Passes NEMA Showering Arc Test (ICS 2-230)
- Meets IEEE Surge Withstand Specification (IEEE-472)

**DATA SHEET**

Form 254-990215

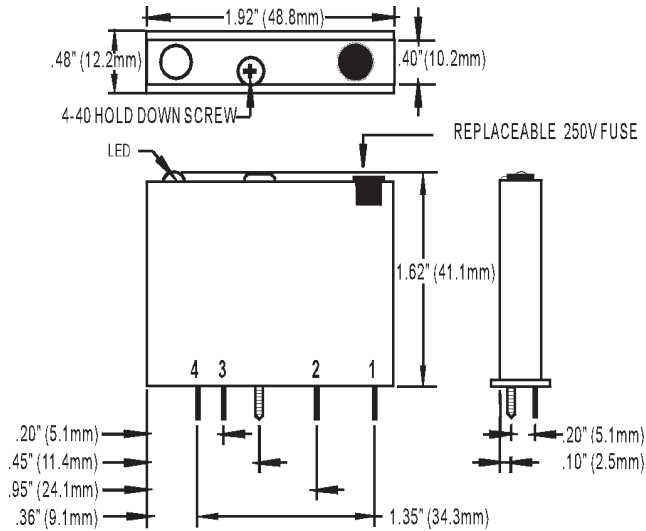
**Specifications**

	Units	G4ODC5*	G4ODC5A*	G4ODC5MA*	G4ODC15	G4ODC24	G4ODC24A
Maximum line voltage	VDC	60	200	60	60	60	200
Output voltage range	VDC	5-60	5-200	5-60	5-60	5-60	5-200
Key feature		---	---	Diagnostic switch	---	---	---
Current rating: at 45°C ambient at 70°C ambient	A A	3 2	1 0.55	3 2	3 2	3 2	1 0.55
Isolation input-to-output	V <sub>rms</sub>	4,000	4,000	4,000	4,000	4,000	4,000
Off-state leakage at maximum voltage	mA	1	2	1	1	1	2
Control resistance (R <sub>c</sub> in schematic)	Ω	220	220	220	1K	2.2K	2.2K
One-second surge	A	5	5	5	5	5	5
Turn-on time	μs	50	100	50	50	50	100
Turn-off time	μs	50	750	50	50	50	750
Output voltage drop maximum peak	V	1.6	1.6	1.6	1.6	1.6	1.6
Nominal logic voltage	VDC	5	5	5	15	24	24
Logic voltage range	VDC	4-8	4-8	4-8	10.5-16	19.5-32	19.5-32
Logic pickup voltage	VDC	4	4	4	10.5	19.5	19.5
Logic dropout voltage	VDC	1	1	1	1	1	1
Logic input current at nominal logic voltage	mA	12	12	12	15	18	18
Temperature: Operating Storage	°C °C	-30 to +70 -30 to +85	-30 to +70 -30 to +85	-30 to +70 -30 to +85	-30 to +70 -30 to +85	-30 to +70 -30 to +85	-30 to +70 -30 to +85

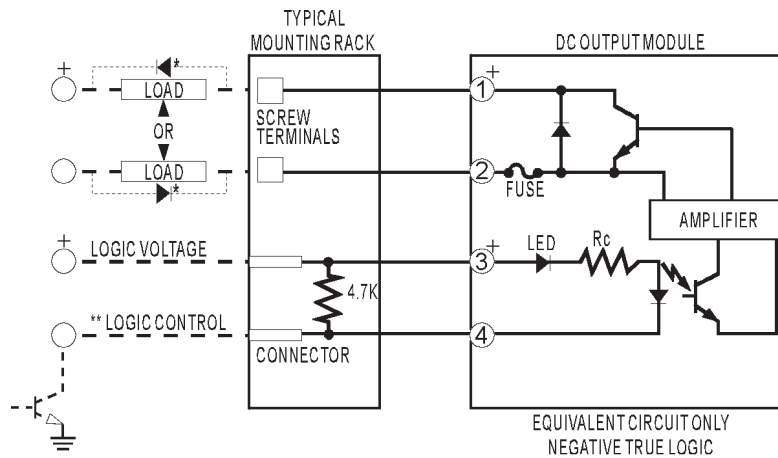
**DATA SHEET**

Form 254-990215

**Dimensions**



**Schematics**



\* Commutation diode must be used on inductive loads. Typically, use diode IN4005.  
\*\* Control line is compatible with totem pole or tri-state output device.