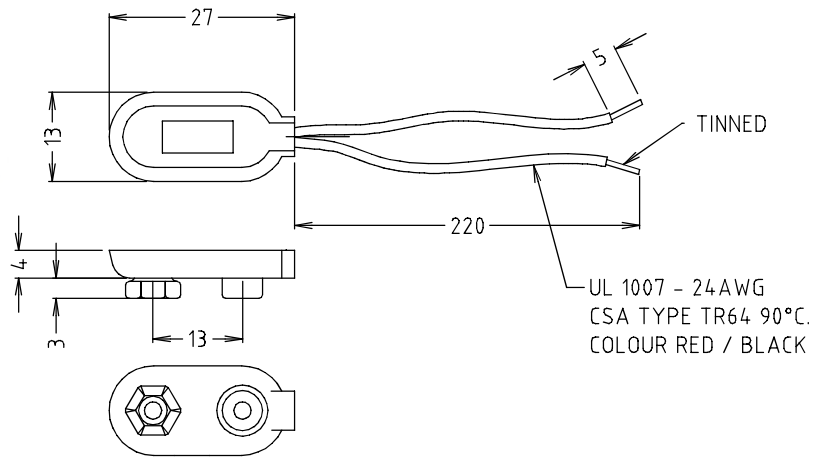
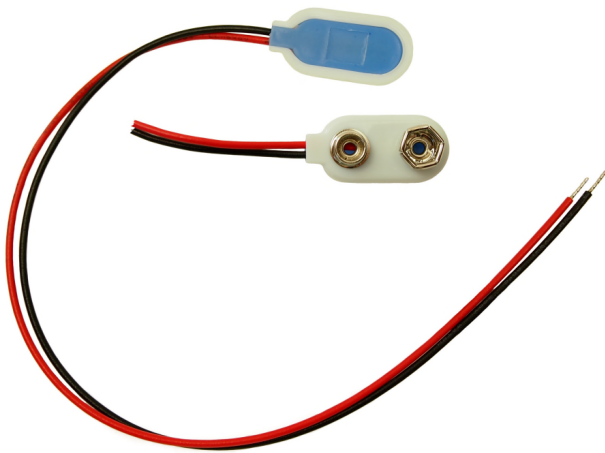


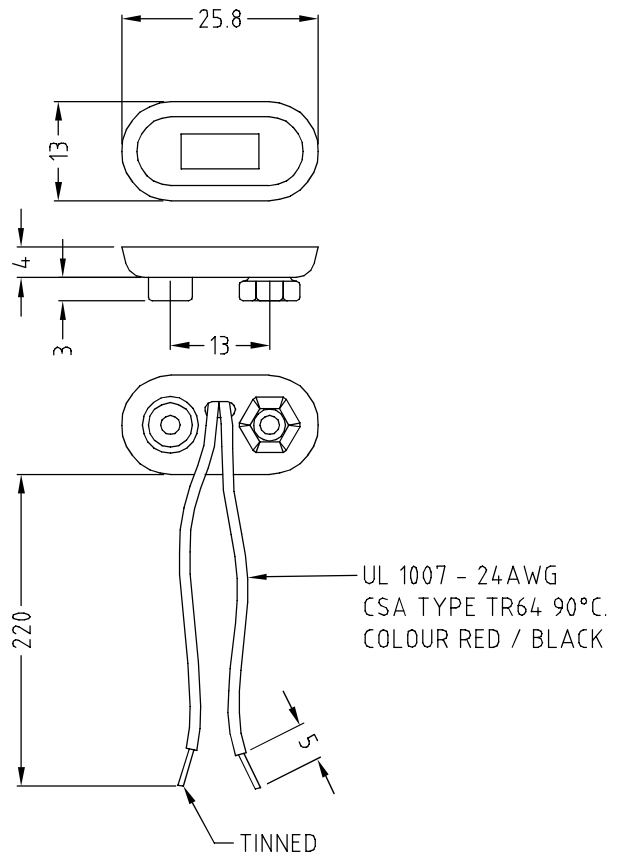
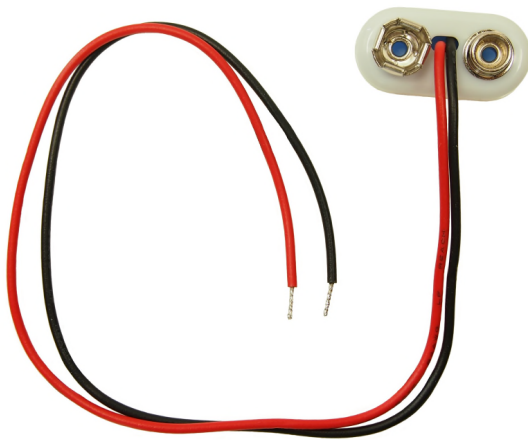
CLIFF

BATTERY CONNECTORS



Part No: **FC6830** PP3 Battery Connector 220mm long

Part No: **FC6831** PP3 Battery Connector 220mm long T-Type



SPECIFICATION

CONTACT RESISTANCE <math>< 50\text{m}\Omega</math>
LIFE ENDURANCE >1000 PLUG / UNPLUG.
OPERATING TEMP. -10°C / +50°C
STORAGE TEMP. -20°C / +40°C
BREAKDOWN VOLTAGE >100V DC
RATED VOLTAGE 9V DC
SUITABLE FOR PP3 BATTERY.

For further information, contact sales@cliffuk.co.uk

© CLIFF 04/18 ISS.2

Cliff Electronic Components Limited,
76 Holmethorpe Avenue, Holmethorpe Ind. Estate,
Redhill, Surrey RH1 2PF U.K.
Tel: +44 (0)1737 771375 Fax: +44 (0)1737 766012

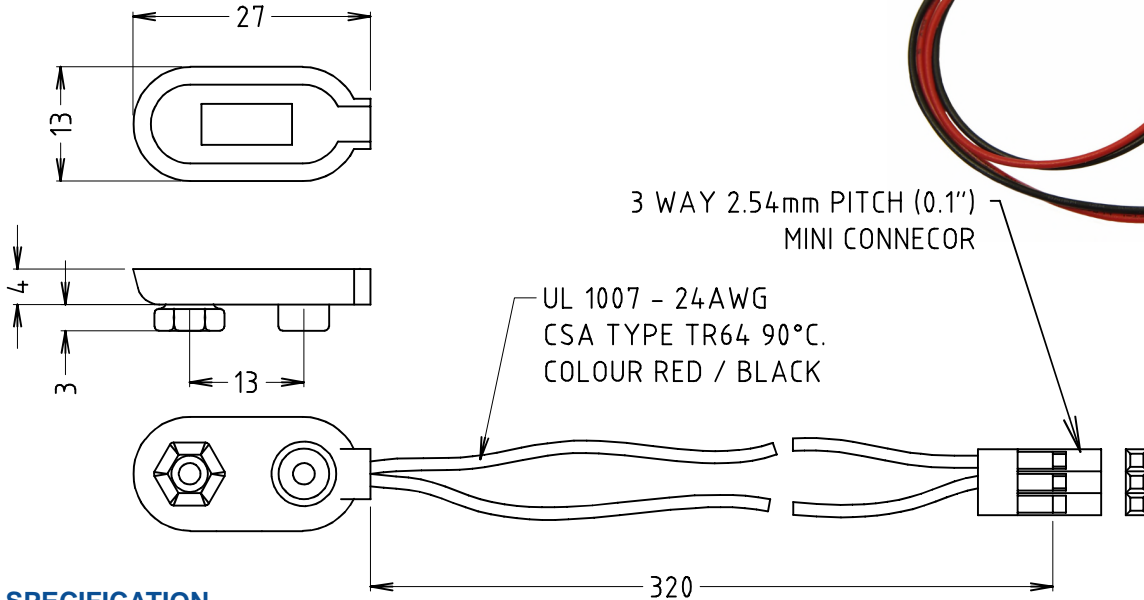
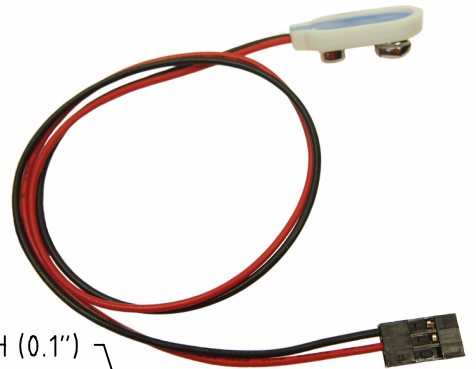


Visit us online at:
www.cliffuk.co.uk

CLIFF

BATTERY CONNECTOR

Part No: **FC68306** PP3 Battery Connector 320mm long to
3 Way Mini Connector



SPECIFICATION

CONTACT RESISTANCE <math>< 50\text{m}\Omega</math>
LIFE ENDURANCE >1000 PLUG / UNPLUG.
OPERATING TEMP. -10°C / +50°C
STORAGE TEMP. -20°C / +40°C
BREAKDOWN VOLTAGE >100V DC
RATED VOLTAGE 9V DC
SUITABLE FOR PP3 BATTERY.

For further information, contact sales@cliffuk.co.uk

Cliff Electronic Components Limited,
76 Holmethorpe Avenue, Holmethorpe Ind. Estate,
Redhill, Surrey RH1 2PF U.K.
Tel: +44 (0)1737 771375 Fax: +44 (0)1737 766012



www.cliffuk.co.uk