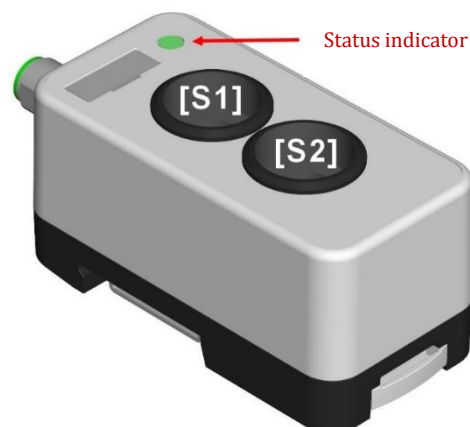


# AS-i Smart Box (part no. 80-4022.000)

## Technical specifications

### Description

AS-i enabled Smart-Box with two Series 84 white illuminated pushbuttons and with AS-i profile S-7.A.7.7. The housing and switches are sealed to IP67. **Pushbutton lenses to be ordered separately.**



### Shipped:

- Without lenses
- with mounting adapter
- with marking plate

### Equipment

Connection:	M12 2-pin plug, male, A-coding
Control element position [S1]:	Connector pin assignment: Pin1: ASi+ / Pin3: ASi- Series 84 button without lens / white LED
Control element position [S2]:	Base product: Part no. 84-1101.0 Series 84 button without lens / white LED
Status indicator:	Base product: Part no. 84-1101.0 Using bi-colour LED (green = power on / red = fault / address 0)

### Configuration

Logical assignment of data bits:	D0: Button input [S1] D1: Button input [S2] D0 Output unused D1 Output unused D2 LED output [S1] D3: LED output [S2]
Parameter outputs:	Unused
Fault indicator input (FID):	Disabled
PWM for LED:	Disabled
AS-i profile:	S-7.A.7.7 (in accordance with specification 3.0) (extended addressing mode)
Programming:	Via plug-in terminals

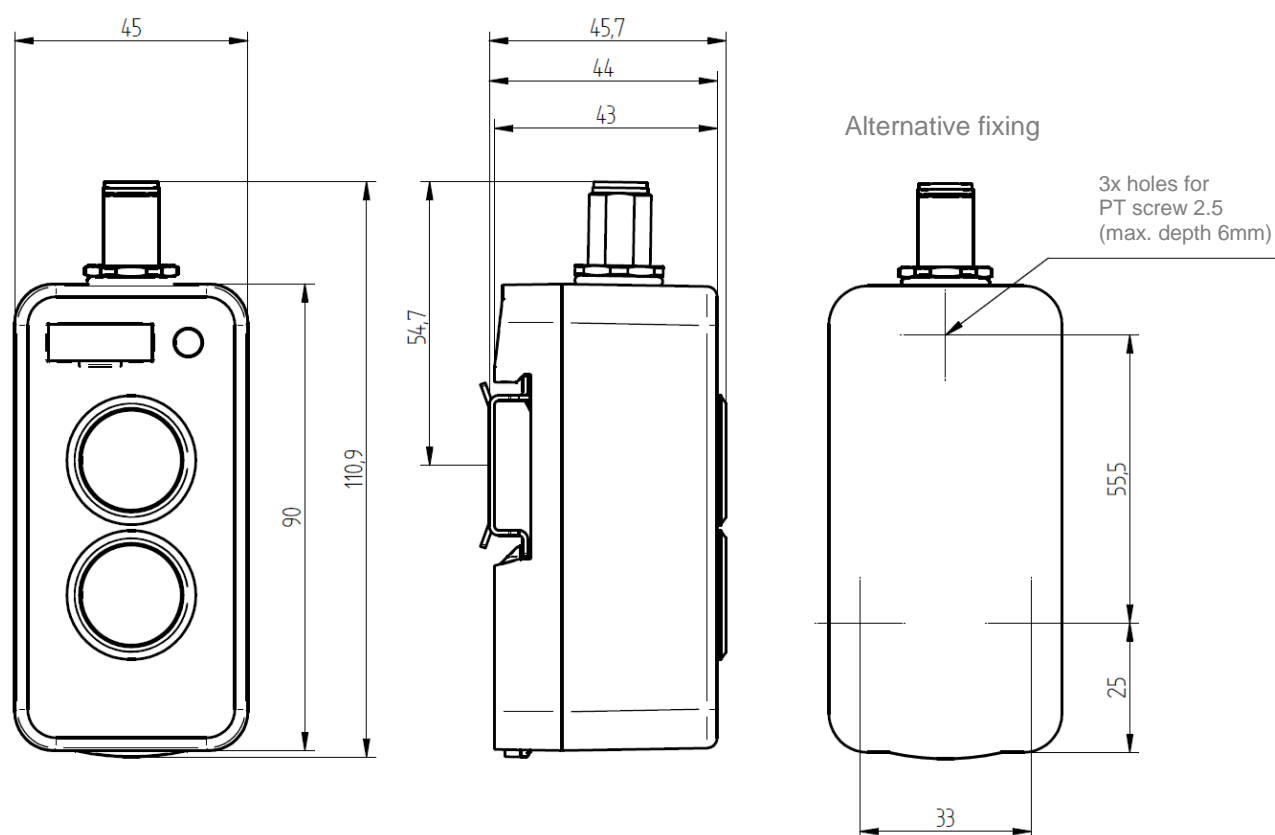
### Electrical characteristics

Operating voltage:	23 ... 31.6VDC
Operating current (LED active):	< 55mA
External voltage:	None
Pole reversal protection:	Integrated
M12 plug:	4-pin / male /A-coding Pin1: ASi+ / Pin3: ASi- / Pin2, 4: Unused

Mechanical characteristics

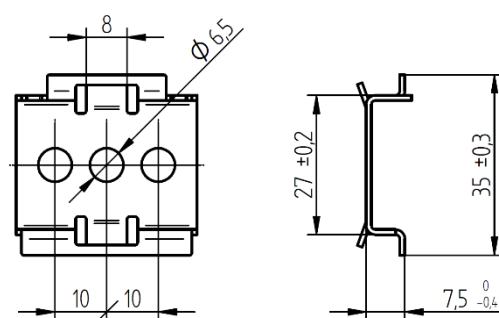
Dimensions:

See dimensional diagram  
(Female M12 connector not included)



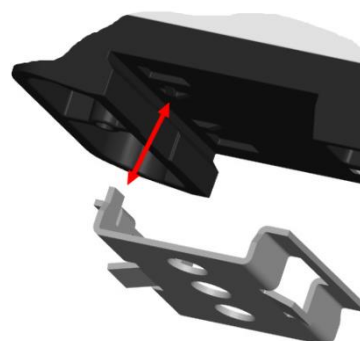
Mounting

- Mount mounting adapter onto mounting surface
- Mount Smart Box on one side (note direction of mounting adapter on the housing)
- Push the Smart Box onto the adaptor on the other side until the Box audibly clicks into place
- Alternatively, the module can be mounted on a standard top hat rail, or it can be mounted on a base using screws on the rear (see dimensional diagrams).



Dismantling

- Pull out spring element using screwdriver and lift Smart Box
- Remove Smart Box from the other side



### Operating temperatures

Temperature range:	Rated temperature:	25°C
	Operating temperature:	-25 ... 60°C
	Storage temperature:	-40 ... 85°C

### Materials

Upper part of housing:	PBT / UL-V0 / colour similar to RAL9010
Lower part of housing:	PBT / UL-V0 / colour similar to RAL9011
Spring element (for restraint):	POM (nature)
Seal:	MVQ silicone foam bright
Light pipe (status indicator):	PC / glass clear
Mounting adaptor:	Stainless steel 1.4301 / surface vibratory finish
Housing screws:	Stainless steel A2
Marking plate:	Black PVC / surface aluminium-coloured, adhesive
M12 connector housing:	Die cast zinc

### AS-i approval

Certification	EN 62026-2:2013 / AS interface approval no. 129301
---------------	--

### Standards

EMC:	EN 61000-6-3:2011 (emissions)
	EN 62026-2:2013 (immissions)
Insulation:	EN 60664-1:2008 / degree of contamination I / insulation material IIIa/b
Degree of protection:	IP67 (with mounted female connector / lenses)
Vibrations:	EN 60068-2-6:2008-10 / 10 ... 150Hz, 2g
Shock:	EN 60068-2-27:2010-02 / 15g / 11ms
Certificates	CE

**EAO reference number: Part no. 80-4022.000**

EAO reserves the right to change specifications without further notice.