

## ACT20P ACT20P-PRO DCDC II-S

**Weidmüller Interface GmbH & Co. KG**  
 Klingenbergstraße 16  
 D-32758 Detmold  
 Germany  
 Fon: +49 5231 14-0  
 Fax: +49 5231 14-292083  
 www.weidmueller.com



### ACT20P: The flexible solution

- Precise and highly functional signal converters
- Simple configuration via display (Pro DCDC II), FDT/DTM software or DIP switch
- Release levers simplify handling
- More space in the control cabinet, from 12.5 mm wide for two channels

### General ordering data

Type	ACT20P-PRO DCDC II-S
Order No.	<a href="#">1481970000</a>
Version	ACT20P, Signal converter/insulator, Signal converter/isolator, All-purpose, 24...230 V AC/DC power supply
GTIN (EAN)	4050118291032
Qty.	1 pc(s).

**ACT20P**  
**ACT20P-PRO DCDC II-S**

**Weidmüller Interface GmbH & Co. KG**  
 Klingenbergstraße 16  
 D-32758 Detmold  
 Germany  
 Fon: +49 5231 14-0  
 Fax: +49 5231 14-292083  
 www.weidmueller.com

**Technical data****Dimensions and weights**

Width	12.5 mm	Width (inches)	0.492 inch
Height	117.2 mm	Height (inches)	4.614 inch
Depth	113.7 mm	Depth (inches)	4.476 inch
Weight	130 g	Net weight	130 g

**Temperatures**

Operating temperature, max.	70 °C	Operating temperature, min.	-25 °C
Storage temperature, max.	85 °C	Storage temperature, min.	-40 °C
Operating temperature	-25 °C...70 °C	Storage temperature	-40 °C...85 °C

**Probability of failure**

MTBF	76 Years
------	----------

**Input**

Number of inputs	1	Input voltage	configurable, $\pm 20$ mV... $\pm 300$ V
Input resistance, voltage	approx. 1 M $\Omega$	Input current	configurable, $\pm 0.1$ mA... $\pm$ 100 mA
Input resistance, current	< 5 mA: approx. 100 $\Omega$ ; >5 mA: approx. 5 $\Omega$		

**Output**

Output voltage, note	adjustable, 0... $\pm 10$ V	Output current	adjustable, 0... $\pm 20$ mA
Cut-off frequency (-3 dB)	> 10 kHz / < 10 Hz	load impedance voltage	$\geq 1$ k $\Omega$
load impedance current	$\leq 600$ $\Omega$	Offset voltage	< 10 mV
Offset current	20 $\mu$ A	Status indicator	Green LED

**Display**

Type	Dot-matrix display with ticker text, green	Display value	Configuration data
------	---	---------------	--------------------

**General data**

Accuracy	< 0.05 % of measuring range	Configuration	DIP switch, or via display and push-buttons
Galvanic isolation	3-way isolator, between input / output / supply	Mounting rail	TS 35
Power consumption	$\leq 2.3$ W	Step response time	$\leq 50$ $\mu$ s
Supply voltage	24...230 V DC $\pm 20$ %, 24...230 V AC $\pm 10$ % @ 48...62 Hz	Temperature coefficient	$\leq 0.01$ % des Messbereichs/ °C

**Insulation coordination**

Galvanic isolation	3-way isolator, between input / output / supply	Impulse withstand voltage	5 kV (1.2/50 $\mu$ s)
Insulation voltage	4 kV <sub>eff</sub> , input / output / power supply	Pollution severity	2
Rated voltage	600 V	Surge voltage category	II

**ACT20P**  
**ACT20P-PRO DCDC II-S**

**Weidmüller Interface GmbH & Co. KG**  
 Klingenbergstraße 16  
 D-32758 Detmold  
 Germany  
 Fon: +49 5231 14-0  
 Fax: +49 5231 14-292083  
 www.weidmueller.com

**Technical data****Connection data**

Type of connection	Screw connection	Tightening torque, min.	0.4 Nm
Tightening torque, max.	0.6 Nm	Clamping range, rated connection	2.5 mm <sup>2</sup>
Clamping range, min.	0.5 mm <sup>2</sup>	Clamping range, max.	2.5 mm <sup>2</sup>
Wire connection cross section AWG, min.	AWG 30	Wire connection cross section AWG, max.	AWG 14

**Ratings IECEx/ATEX/cUL**

Certificate No. (ATEX)	DEMKO15ATEX1397X
------------------------	------------------

**Classifications**

ETIM 3.0	EC001774	ETIM 5.0	EC002653
ETIM 6.0	EC002653	eClass 6.2	27-21-01-20
eClass 7.1	27-21-01-20	eClass 8.1	27-21-01-20
eClass 9.0	27-21-01-20	eClass 9.1	27-21-01-20

**Product information**

Product information	<p>The universally configurable DC isolating amplifier ACT20P-PRO DCDC II isolates and converts analogue signals. An analogue input signal (current or voltage) is linearly converted into an analogue output signal (current or voltage) and galvanically isolated. The power supply is galvanically isolated from the input and output (3-way isolation).</p> <p>Properties</p> <ul style="list-style-type: none"> <li>• universal wide-range voltage supply</li> <li>• universally configurable via DIP switch or via the LED display using control buttons</li> <li>• Active or passive signal output</li> <li>• Operating status display on a front panel LED</li> <li>• Galvanic 3-way isolation between input, output and supply.</li> </ul>
---------------------	---

**Approvals**

Approvals



Approvals	CULUS;
ROHS	Conform

**Downloads**

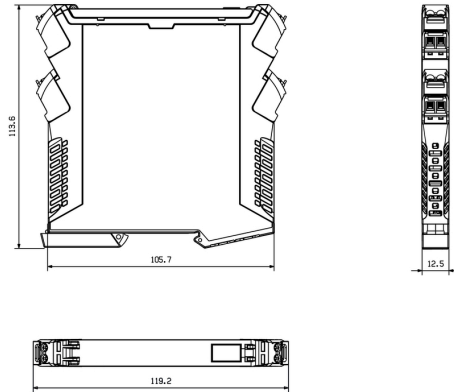
Approval/Certificate/Document of Conformity	<a href="#">Declaration of Conformity</a> <a href="#">UL file number</a> <a href="#">DNV German Loyd approval</a>
Brochure/Catalogue	<a href="#">CAT 4.1 ELECTR 16/17 EN</a>
Engineering Data	<a href="#">EPLAN, WSCAD, Zuken E3.S</a>
Software	<a href="#">DIP switch configuration tool</a>
User Documentation	<a href="#">instruction sheet</a>

**ACT20P  
ACT20P-PRO DCDC II-S**

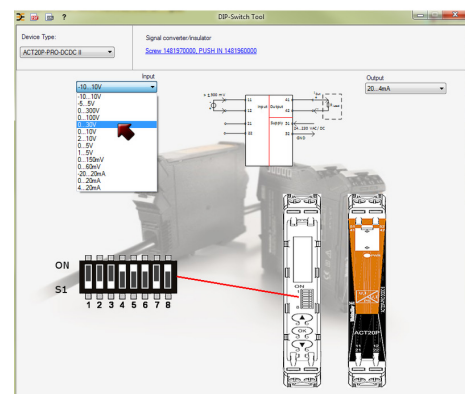
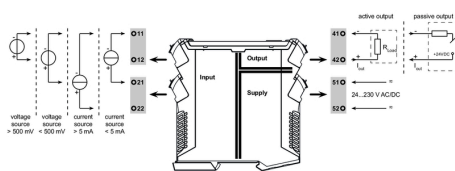
**Weidmüller Interface GmbH & Co. KG**  
 Klingenbergstraße 16  
 D-32758 Detmold  
 Germany  
 Fon: +49 5231 14-0  
 Fax: +49 5231 14-292083  
 www.weidmueller.com

**Drawings**

**Dimensioned drawing**



**Wiring**



example for DIP switch setting (with ACT20 tool)