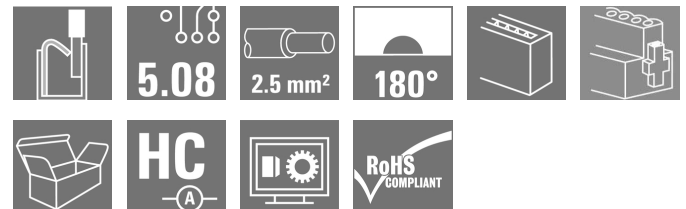


## OMNIMATE Signal - series BL/SL 5.08 BLF 5.08HC/06/180F SN OR BX

**Weidmüller Interface GmbH & Co. KG**  
Klingenbergstraße 16  
D-32758 Detmold  
Germany  
Fon: +49 5231 14-0  
Fax: +49 5231 14-292083  
www.weidmueller.com



Just as reliable as the millionfold proven original and featuring innovative details:

The BLF 5.08HC PUSH IN version of the BLZP 5.08HC female connector is not only different in terms of connection system; it also has a more compact design. Weidmüller's innovative PUSH IN spring connection system stands for the future of easy and tool-free wire connection. HC = High Current.

In terms of versatility, the BLF 5.08HC offers just as much as the version which served as a model:

- 3 tested-and-proven wire outlet directions provide the usual flexibility for application-specific design
- 4 flange variations and the patented release latch allow the locking concept to be based on the requirements of the user
- Use the BLF 5.08HC and SL 5.08HC plug combination to reach the max. rated specifications

### General ordering data

|              |   |
|--------------|---|
| Type         | BLF 5.08HC/06/180F SN OR BX   |
| Order No.    | <a href="#">1013130000</a>  |
| Version      | PCB plug-in connector, female plug, 5.08 mm, No. of poles: 6, 180°, PUSH IN, Clamping range, max. : 3.31 mm², Box |
| GTIN (EAN)   | 4032248720880   |
| Qty.         | 42 pc(s).   |
| Product data | IEC: 400 V / 24 A / 0.2 - 2.5 mm²<br>UL: 300 V / 18.5 A / AWG 26 - AWG 12   |
| Packaging    | Box   |

**OMNIMATE Signal - series BL/SL 5.08  
BLF 5.08HC/06/180F SN OR BX**

**Weidmüller Interface GmbH & Co. KG**  
 Klingenbergstraße 16  
 D-32758 Detmold  
 Germany  
 Fon: +49 5231 14-0  
 Fax: +49 5231 14-292083  
 www.weidmueller.com

**Technical data****Dimensions and weights**

|            |         |
|------------|---------|
| Net weight | 12.13 g |
|------------|---------|

**System parameters**

|  |                                     |  |                     |
|--|-------------------------------------|--|---------------------|
| Product family                               | OMNIMATE Signal - series BL/SL 5.08 | Type of connection                         | PUSH IN             |
| Wire connection method                       | PUSH IN                             | Pitch in mm (P)                            | 5.08 mm             |
| Pitch in inches (P)                          | 0.2 inch                            | Conductor outlet direction                 | 180°                |
| No. of poles                                 | 6                                   | L1 in mm                                   | 25.4 mm             |
| L1 in inches                                 | 1 inch                              | Number of rows                             | 1                   |
| Pin series quantity                          | 1                                   | Rated cross-section                        | 2.5 mm <sup>2</sup> |
| Touch-safe protection acc. to DIN VDE 57 106 | Safe from finger touch              | Touch-safe protection acc. to DIN VDE 0470 | IP 20               |
| Volume resistance                            | 4.50 mΩ                             | Can be coded                               | Yes                 |
| Stripping length                             | 10 mm                               | Tightening torque for screw flange, min.   | 0.15 Nm             |
| Tightening torque for screw flange, max.     | 0.2 Nm                              | Screwdriver blade                          | 0.6 x 3.5           |
| Screwdriver blade standard                   | DIN 5264                            | Plugging cycles                            | 25                  |
| push-in force/pole                           | 10 N                                | Withdrawal force per pole                  | 8 N                 |
| Packaging                                    | Box                                 |  |                     |

**Material data**

|                                       |          |                                       |                          |
|---------------------------------------|----------|---------------------------------------|--------------------------|
| Insulating material                   | PBT      | Colour                                | Orange                   |
| Colour chart (similar)                | RAL 2000 | Insulating material group             | IIIa                     |
| CTI                                   | ≥ 200    | Insulation resistance                 | ≥ 10 <sup>8</sup> Ω      |
| UL 94 flammability rating             | V-0      | Contact material                      | CuSn                     |
| Contact surface                       | tinned   | Layer structure of plug contact       | 4-8 μm Sn hot-dip tinned |
| Storage temperature, min.             | -25 °C   | Storage temperature, max.             | 55 °C                    |
| Max. relative humidity during storage | 80 %     | Operating temperature, min.           | -50 °C                   |
| Operating temperature, max.           | 100 °C   | Temperature range, installation, min. | -30 °C                   |
| Temperature range, installation, max. | 100 °C   |                                       |                          |

**Conductors suitable for connection**

|   |                      |   |                      |
|---|----------------------|---|----------------------|
| Clamping range, min.                            | 0.13 mm <sup>2</sup> | Clamping range, max.                            | 3.31 mm <sup>2</sup> |
| Wire connection cross section AWG, min.         | AWG 26               | Wire connection cross section AWG, max.         | AWG 12               |
| Solid, min. H05(07) V-U                         | 0.2 mm <sup>2</sup>  | Solid, max. H05(07) V-U                         | 2.5 mm <sup>2</sup>  |
| Flexible, min. H05(07) V-K                      | 0.2 mm <sup>2</sup>  | Flexible, max. H05(07) V-K                      | 2.5 mm <sup>2</sup>  |
| w. plastic collar ferrule, DIN 46228 pt 4, min. | 0.25 mm <sup>2</sup> | w. plastic collar ferrule, DIN 46228 pt 4, max. | 2.5 mm <sup>2</sup>  |
| w. wire end ferrule, DIN 46228 pt 1, min.       | 0.25 mm <sup>2</sup> | w. wire end ferrule, DIN 46228 pt 1, max.       | 2.5 mm <sup>2</sup>  |
| Plug gauge acc. to EN 60999 a x b; Ø            | 2.8 mm x 2.0 mm      |   |                      |

**OMNIMATE Signal - series BL/SL 5.08  
BLF 5.08HC/06/180F SN OR BX**


**Weidmüller Interface GmbH & Co. KG**  
Klingenbergstraße 16  
D-32758 Detmold  
Germany  
Fon: +49 5231 14-0  
Fax: +49 5231 14-292083  
www.weidmueller.com

**Technical data**


**Rated data acc. to IEC**

|   |                        |   |                   |
|---|------------------------|---|-------------------|
| tested acc. to standard   | IEC 60664-1, IEC 61984 | Rated current, min. no. of poles (Tu=20°C)                            | 24 A              |
| Rated current, max. no. of poles (Tu=20°C)                                | 19 A                   | Rated current, min. no. of poles (Tu=40°C)                            | 21 A              |
| Rated current, max. no. of poles (Tu=40°C)                                | 16.5 A                 | Rated voltage for surge voltage class / pollution degree II/2         | 400 V             |
| Rated voltage for surge voltage class / pollution degree III/2            | 320 V                  | Rated voltage for surge voltage class / pollution degree III/3        | 250 V             |
| Rated impulse voltage for surge voltage class/ pollution degree II/2      | 4 kV                   | Rated impulse voltage for surge voltage class/ pollution degree III/2 | 4 kV              |
| Rated impulse voltage for surge voltage class/ contamination degree III/3 | 4 kV                   | Short-time withstand current resistance                               | 3 x 1s with 120 A |

**Rated data acc. to CSA**

|                               |   |                               |  |
|-------------------------------|---|-------------------------------|--|
| Institute (CSA)               |  | Certificate No. (CSA)         | 200039-1121690   |
| Rated voltage (Use group B)   | 300 V   | Rated voltage (use group D)   | 300 V  |
| Rated current (use group D)   | 10 A  | Wire cross-section, AWG, min. | AWG 26   |
| Wire cross-section, AWG, max. | AWG 12  | Reference to approval values  | Specifications are maximum values, details - see approval certificate. |

**Rated data acc. to UL 1059**

|                               |   |                               |        |
|-------------------------------|---|-------------------------------|--------|
| Institute (cURus)             |  | Certificate No. (cURus)       | E60693 |
| Rated voltage (use group B)   | 300 V   | Rated voltage (use group D)   | 300 V  |
| Rated current (use group B)   | 18.5 A  | Rated current (use group D)   | 10 A   |
| Wire cross-section, AWG, min. | AWG 26  | Wire cross-section, AWG, max. | AWG 12 |
| Reference to approval values  | Specifications are maximum values, details - see approval certificate.              |                               |        |

**Classifications**

|            |             |            |             |
|------------|-------------|------------|-------------|
| ETIM 4.0   | EC002637    | ETIM 5.0   | EC002637    |
| ETIM 6.0   | EC002637    | eClass 6.2 | 27-26-07-04 |
| eClass 7.1 | 27-44-04-02 | eClass 8.1 | 27-44-04-02 |
| eClass 9.0 | 27-44-04-02 | eClass 9.1 | 27-44-04-02 |

**Data sheet**

**OMNIMATE Signal - series BL/SL 5.08  
BLF 5.08HC/06/180F SN OR BX**

**Weidmüller Interface GmbH & Co. KG**  
Klingenbergstraße 16  
D-32758 Detmold  
Germany  
Fon: +49 5231 14-0  
Fax: +49 5231 14-292083  
www.weidmueller.com

**Technical data**

**Notes**

|                |  |
|----------------|--|
| Notes          | <ul style="list-style-type: none"> <li>• Additional colours on request</li> <li>• Gold-plated contact surfaces on request</li> <li>• Rated current related to rated cross-section &amp; min. No. of poles.</li> <li>• Wire end ferrule without plastic collar to DIN 46228/1</li> <li>• Wire end ferrule with plastic collar to DIN 46228/4</li> <li>• P on drawing = pitch</li> </ul> |
| IPC conformity | Conformity: The products are developed, manufactured and delivered according international recognized standards and norms and comply with the assured properties in the data sheet resp. fulfill decorative properties in accordance with IPC-A-610 "Class 2". Further claims on the products can be evaluated on request.   |

**Approvals**

|           |   |
|-----------|---|
| Approvals |  |
| ROHS      | Conform   |

**Downloads**

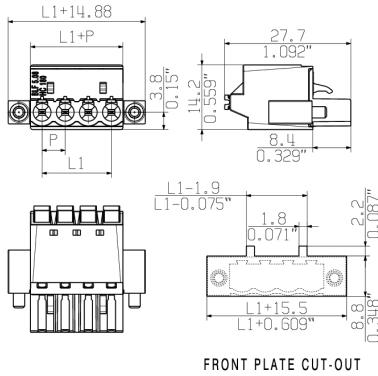
|   |  |
|---|--|
| Approval/Certificate/Document of Conformity | <a href="#">Declaration of the Manufacturer</a>  |
| Brochure/Catalogue                          | <a href="#">FL DRIVES EN</a><br><a href="#">MB DEVICE MANUF. EN</a><br><a href="#">FL DRIVES DE</a><br><a href="#">CAT 2 PORTFOLIOGUIDE EN</a><br><a href="#">FL BUILDING SAFETY EN</a><br><a href="#">FL APPL LED LIGHTING EN</a><br><a href="#">FLIndustr.CONTROLS EN</a><br><a href="#">FL MACHINE SAFETY EN</a><br><a href="#">FL HEATING ELECTR EN</a><br><a href="#">FL APPL INVERTER EN</a><br><a href="#">FL_BASE_STATION_EN</a><br><a href="#">FL ELEVATOR EN</a><br><a href="#">FL POWER SUPPLY EN</a><br><a href="#">FL 72H SAMPLE SER EN</a><br><a href="#">PO OMNIMATE EN</a> |
| Engineering Data                            | <a href="#">WSCAD</a>  |
| White Paper wire connection                 | <a href="#">Download Whitepaper</a>  |

**OMNIMATE Signal - series BL/SL 5.08  
BLF 5.08HC/06/180F SN OR BX**

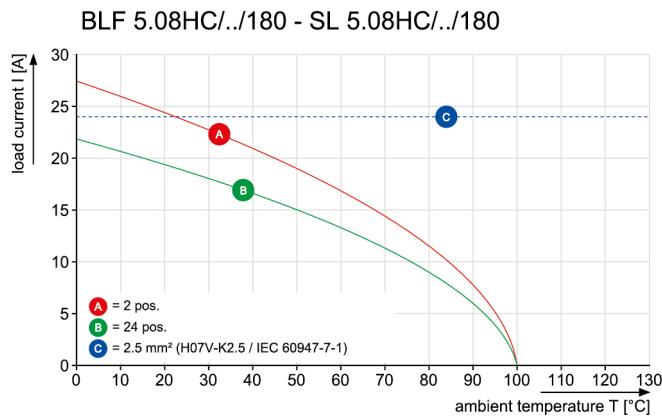
**Weidmüller Interface GmbH & Co. KG**  
Klingenbergstraße 16  
D-32758 Detmold  
Germany  
Fon: +49 5231 14-0  
Fax: +49 5231 14-292083  
www.weidmueller.com

**Drawings**

**Dimensional drawing**



**Graph**



**Graph**

