

## OMNIMATE Data - RJ45 jacks RJ45C5 T1U 2.8N4N TY

**Weidmüller Interface GmbH & Co. KG**  
Klingenbergstraße 16  
D-32758 Detmold  
Germany  
Fon: +49 5231 14-0  
Fax: +49 5231 14-292083  
www.weidmueller.com



Product range covers standing and flat designs, as well as versions with the latching hook at the top and bottom.

- THT, THR or SMD soldering processes
- Wide range of different design types, also with integrated LEDs and shield contact tabs
- Packed either in a tray (TY) or on a roll (tape-on-reel, RL)
- Extended temperature range of  $-40\text{ °C}$  to  $+85\text{ °C}$
- Reinforced gold layer for improved corrosion protection
- Transmission rates of up to 1 Gbit/s

### General ordering data

Type	RJ45C5 T1U 2.8N4N TY
Order No.	<a href="#">1455240000</a>
Version	PCB plug-in connector, RJ45 jacks, THT solder connection, 1.27 mm, No. of poles: 8, 90°, Solder pin length (l): 3.2 mm, Gold over nickel, Black, Tray; $R_s = 10^9 - 10^{12}\ \Omega$
GTIN (EAN)	4050118261356
Qty.	140 pc(s).
Packaging	Tray; $R_s = 10^9 - 10^{12}\ \Omega$

**OMNIMATE Data - RJ45 jacks  
RJ45C5 T1U 2.8N4N TY**

**Weidmüller Interface GmbH & Co. KG**  
 Klingenbergstraße 16  
 D-32758 Detmold  
 Germany  
 Fon: +49 5231 14-0  
 Fax: +49 5231 14-292083  
 www.weidmueller.com

**Technical data****Dimensions and weights**

Net weight	2.436 g
------------	---------

**Temperatures**

Operating temperature, max.	85 °C	Operating temperature, min.	-40 °C
Storage temperature, max.	85 °C	Storage temperature, min.	-40 °C

**System specifications**

Category	Cat. 5	LED	No
Mounting onto the PCB	THT solder connection	No. of poles	8
Number of solder pins per pole	1	Outgoing elbow	90°
Packaging	Tray; Rs = 10 <sup>9</sup> - 10 <sup>12</sup> Ω	Pitch in inches (P)	0.05 inch
Pitch in mm (P)	1.27 mm	Plugging cycles	750
Product family	OMNIMATE Data - RJ45 jacks	Protection degree	IP20
Shield surface	nickel-plated	Shield tabs	none
Shielding	Yes	Shielding material	Copper alloy
Solder eyelet hole diameter (D)	0.9 mm	Solder eyelet hole diameter tolerance (D)	± 0.1 mm
Solder pin dimensions	0.40 x 0.30 mm	Solder pin length (l)	3.2 mm
Tack option	top	Type of connection	Socket
Wiring	8-core		

**Electrical properties**

Dielectric strength, contact / contact	≥ 1000 V DC	Insulation resistance	> 500 MΩ
Rated current	1.5 A	Rated voltage	125 V AC

**Material data**

Insulating material	PA 66	Colour	Black
Colour chart (similar)	RAL 9011	Insulating material group	II
CTI	≥ 500	Insulation resistance	> 500 MΩ
UL 94 flammability rating	V-0	Contact base material	Phosphorus bronze
Contact surface	Gold over nickel	Layer structure of plug contact	30-80 μm Ni / 30-μm Au
Storage temperature, min.	-40 °C	Storage temperature, max.	85 °C
Operating temperature, min.	-40 °C	Operating temperature, max.	85 °C

**Classifications**

ETIM 6.0	EC002637	eClass 6.2	27-25-05-04
eClass 7.1	27-25-05-04	eClass 8.1	19-17-01-25
eClass 9.0	19-17-01-25		

**Approvals**

Approvals



ROHS

Conform

**Data sheet****OMNIMATE Data - RJ45 jacks  
RJ45C5 T1U 2.8N4N TY**

**Weidmüller Interface GmbH & Co. KG**  
Klingenbergstraße 16  
D-32758 Detmold  
Germany  
Fon: +49 5231 14-0  
Fax: +49 5231 14-292083  
www.weidmueller.com

**Technical data****Downloads**

---

Brochure/Catalogue	<a href="#">CAT 9 IETH 15/16 EN</a> <a href="#">MB FREECONTACT EN</a> <a href="#">FL FIELDWIRING EN</a> <a href="#">PI PROFINET CABLING EN</a>
User Documentation	<a href="#">MAN IE GUIDE DE</a> <a href="#">MAN IE GUIDE EN</a>

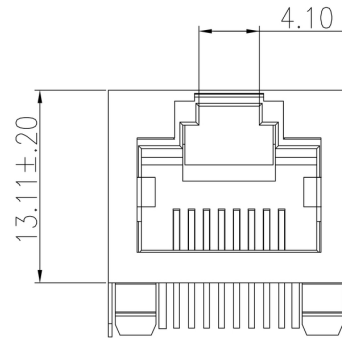
---

**OMNIMATE Data - RJ45 jacks  
RJ45C5 T1U 2.8N4N TY**

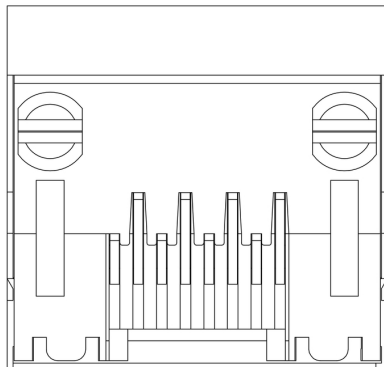
**Weidmüller Interface GmbH & Co. KG**  
 Klingenbergstraße 16  
 D-32758 Detmold  
 Germany  
 Fon: +49 5231 14-0  
 Fax: +49 5231 14-292083  
 www.weidmueller.com

**Drawings**

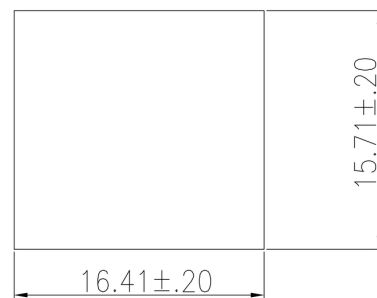
**Dimensioned drawing**



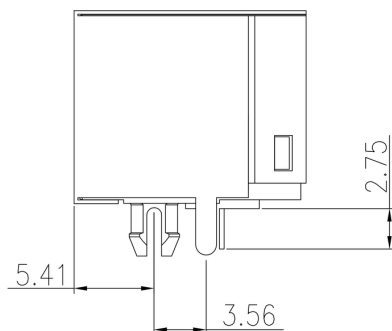
**Dimensioned drawing**



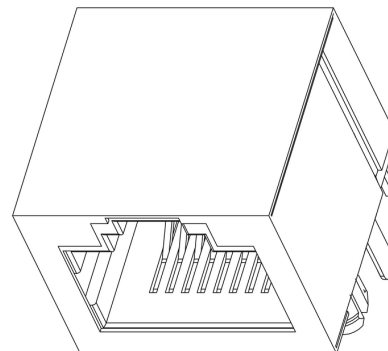
**Dimensioned drawing**



**Dimensioned drawing**

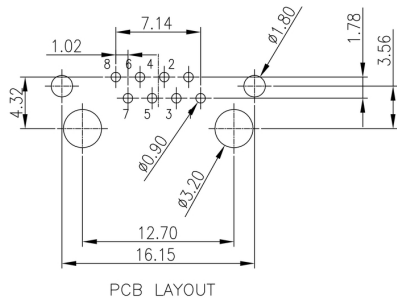


**Drawing**



**OMNIMATE Data - RJ45 jacks  
RJ45C5 T1U 2.8N4N TY**

**Weidmüller Interface GmbH & Co. KG**  
Klingenbergstraße 16  
D-32758 Detmold  
Germany  
Fon: +49 5231 14-0  
Fax: +49 5231 14-292083  
www.weidmueller.com

**Drawings****PCB design**

**OMNIMATE Data - RJ45 jacks**  
**RJ45C5 T1U 2.8N4N TY**

**Weidmüller Interface GmbH & Co. KG**  
 Klingenbergstraße 16  
 D-32758 Detmold  
 Germany  
 Fon: +49 5231 14-0  
 Fax: +49 5231 14-292083  
 www.weidmueller.com

Drawings

Legend

Legend	Code	Description							
RJ45	G1	R1	U	3.2	E	4	GY/GY	TY	RJ45G1 R1U 3.2E4GY/GY TY
<b>Packaging</b>	<b>TY</b>	Tray in box (manual assembly)							
	<b>RL</b>	Tape on Reel (automated assembly)							
<b>LED</b>	<b>Y/G</b>	Yellow/Green							
	<b>G/Y</b>	Green/Yellow (standard)							
	<b>GY/GY</b>	Green-Yellow/Green-Yellow							
	<b>O/G</b>	Orange/Green							
	<b>R/O</b>	Red/Orange							
	<b>...</b>	... (further combinations possible)							
	<b>N</b>	without LED							
<b>Contact surface thickness</b>	<b>4</b>	1 = 3µ, 2 = 6µ, 3 = 15µ, 4 = 30µ, 5 = 50µ							
<b>EMI tabs (ground fingers)</b>	<b>E</b>	E = with EMI tabs							
	<b>N</b>	N = without EMI tabs							
<b>Solder Pin length</b>	<b>3.2</b>	3.2 mm							
	<b>1.6</b>	1.6 mm							
	<b>D</b>	SMD							
<b>Direction, latch style</b>	<b>U</b>	Horizontal (90°, side entry), latch up							
	<b>D</b>	Horizontal (90°, side entry), latch down							
	<b>V</b>	Vertical (180°, top entry)							
	<b>Y</b>	Diagonal (45°), latch up							
<b>Number of Ports</b>	<b>1</b>	1 Port							
	<b>12; 14; ...</b>	multi ports side by side, Multiport							
	<b>21; 41; ...</b>	multi ports about each other, Multilevel							
<b>Assembly on PCB</b>	<b>R</b>	Through Hole Reflow - THR							
	<b>S</b>	Soldering process: Wave or Reflow soldering							
	<b>S</b>	Surface Mount Technology - SMT							
	<b>T</b>	Soldering process: Reflow soldering							
	<b>T</b>	Through Hole Technology - THT							
	<b>T</b>	Soldering process: Wave							
<b>Performance Category</b>	<b>C5</b>	Category 5							
	<b>C6</b>	Category 6							
	<b>C6A</b>	Category 6A							
	<b>C5e</b>	Category 5e							
	<b>M</b>	10/100 Mbit							
	<b>G1</b>	10/100/1000 Mbit							
	<b>G10</b>	10 Gbit							
	<b>U</b>	Unshielded							
	<b>MP</b>	10/100 Mbit with POE							
	<b>MP+</b>	10/100 Mbit with POE+							

## Recommended wave soldering profiles

**Weidmüller Interface GmbH & Co. KG**  
 Klängenbergstraße 16  
 D-32758 Detmold  
 Germany  
 Fon: +49 5231 14-0  
 Fax: +49 5231 14-292083  
 www.weidmueller.com

### Single Wave:



### Double Wave:



### Wave soldering profiles

Wired connection elements should be processed in accordance with the DIN EN 61760-1 standard. We have included two recommendations for practical wave soldering profiles, with which Weidmüller PCB terminals and connectors are qualified.

When choosing a suitable profile for your application, the following factors also need to be considered:

- PCB thickness
- Proportion of Cu in the layers
- Single/double-sided assembly
- Product range
- Heating and cooling rates

The single and double wave profiles each indicate the recommended operating range, including the maximum soldering temperature of 260°C. In practice, the maximum soldering temperature is quite often well below the above maximum profile.