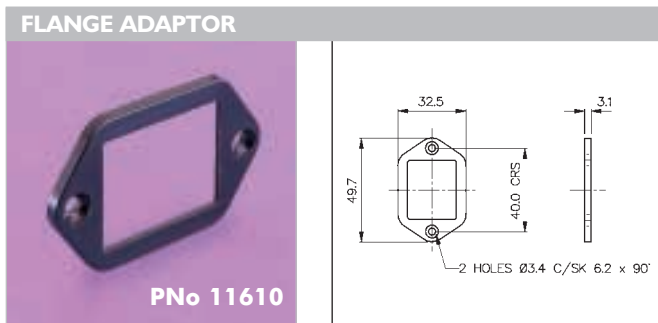
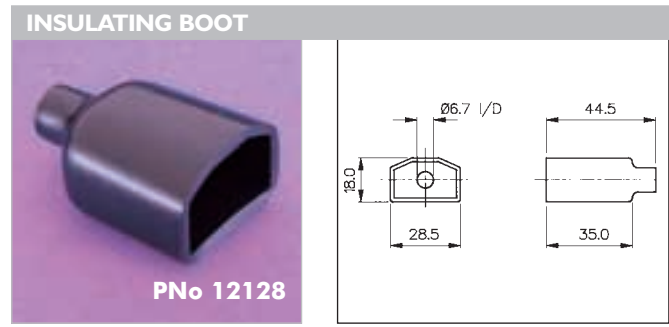
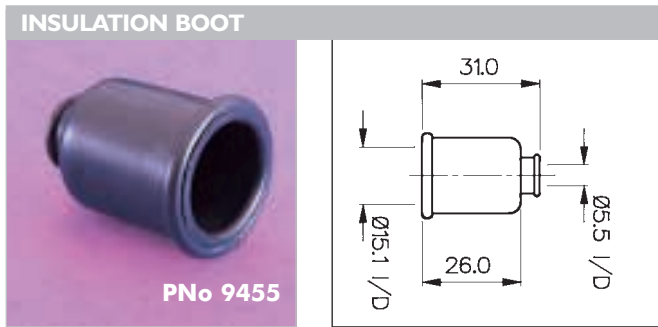
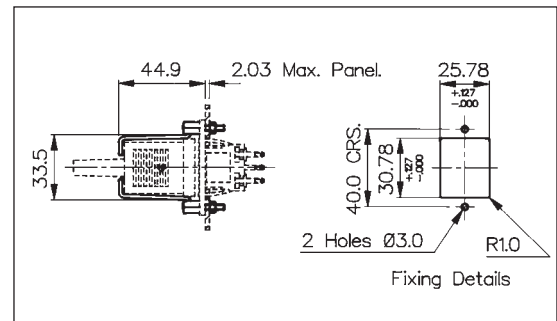
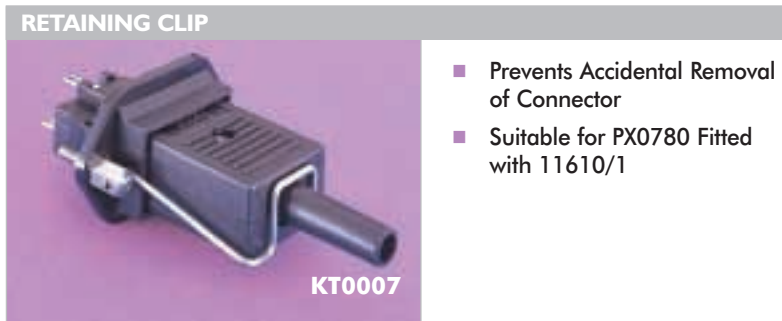


## Accessories



- Insulating boots
- Protects Against Accidental Electric Shock
- Flange Adaptor
- Converts PX0780 to Flange Fixing



Specification	P.No. 9455	P.No. 12128	P.No. 11610 & /1	KT0007
	Insulation cover for PX0429, PX0635, PX0650, SA2368, SA2404	Insulating boot for PX0780	Adaptors to Convert PX0780 to Flange Fixing with P.No. 11610 (countersunk hole) or P.No. 11610/1 (without countersunk hole)	Retaining Clip to prevent accidental removal of connector. For use with PX0770 and PX0780 with P.No. 11610.
Operating Temp. Range:	-20°C to +60°C	-20°C to +60°C	-40°C to +70°C	
Max. Working Voltage:	250V a.c.	250V a.c.		
Flash Tested:	2kV a.c.	2kV a.c.		
Material:	P.V.C.	P.V.C.	Glass Filled Nylon	Clip: Stainless Steel All other parts: Brass, Nickel Plated
Flammability Rating:	UL94V-0	UL94V-0	UL94-HB	