

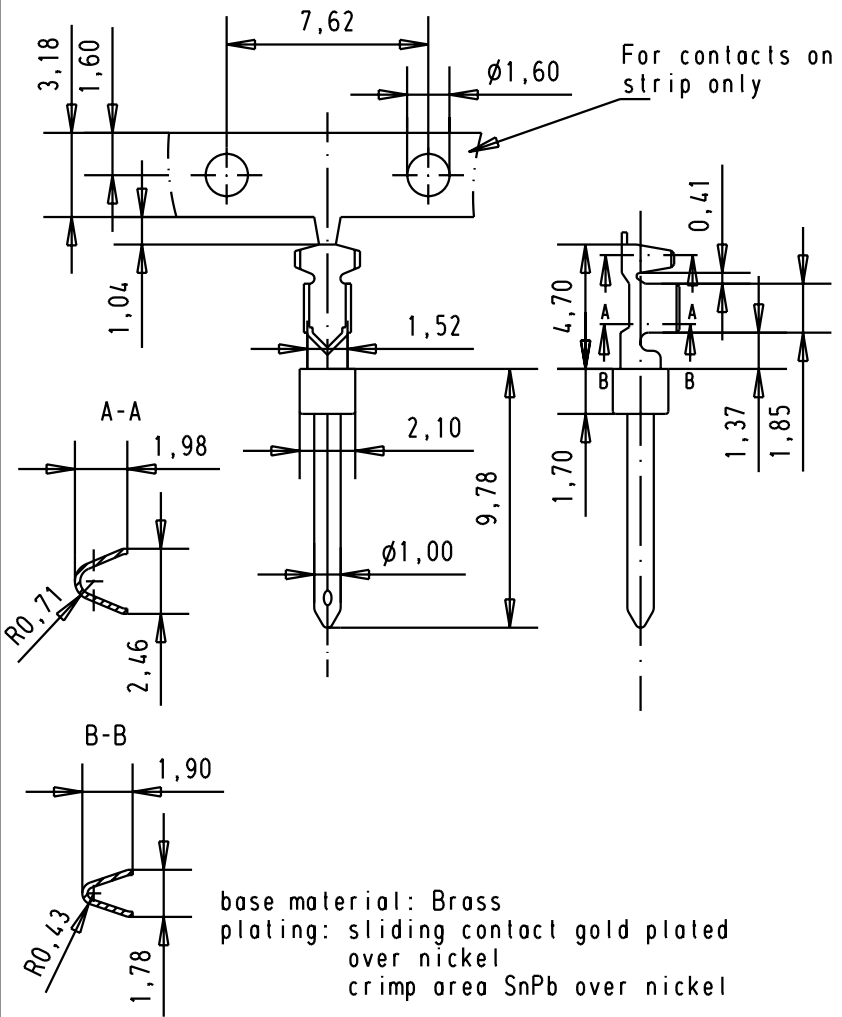
5

4

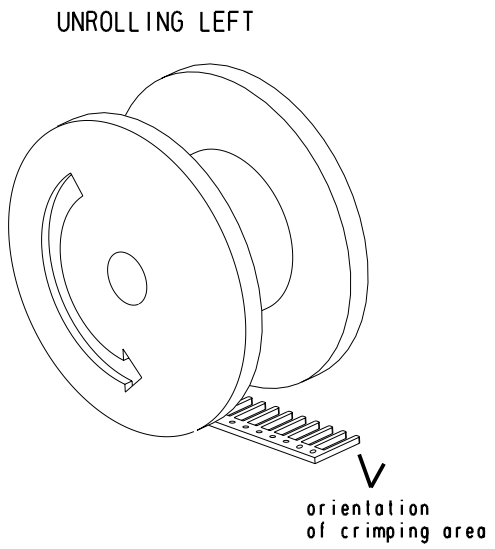
3



2

1



STAMPED MALE CRIMP CONTACTS				
Number of contacts/reel	Wire gauge AWG	PL S4	PL 3	PL 2
500	AWG 20-24	0967 000 8165	0967 000 8167	0967 000 8168



				Dat.	Name	 All Dim. in mm Orig. Size DIN A 4	D-Sub, Stamped Male crimp Contacts AWG 20-24 500 /reel, unrolling left	Maßstab/ Scale 3.5:1
			Detail.	24-MAR-03	PP			
			Insp.					
			Stand.					
31475	24-MAR-03	PP	HARTING EURL F-95972 Paris				TB 0967 000 816X	Blatt/ Page 1/
Mod.	Dat.	Name						

D  
C  
B  
A