

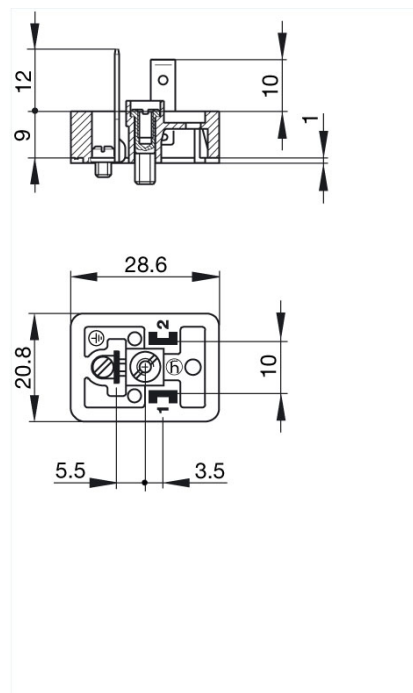
## GSN 20 schwarz/black

Industrial Connectors:Rectangular connectors GDM-series:Type B EN 175301-803 (DIN 43650) / ISO 6952:Appliance connector

### Product description

Description	appliance connector with, central screws (hollow), 1 screw M 3 x 4
Type	GSN 20 schwarz/black
Order No.	932 421-100
Number of contacts	2 + PE
Standard	DIN EN 175 301-803-B
Housing Color	black
Construction type	B

### Drawing



### Technical data

Rated voltage	AC/DC 250 V
Rated current	16 A
Contact resistance	$\leq 4$ mOhm
Type of termination	solder (ground contacts: screw)
Mounting	screw

### Material

Contact surface material	Sn
Contact bearer material	PA
Housing material	PA

### Environmental conditions

Protection class (IEC 60529)	IP 65 (in plugged condition)
Pollution severity	3
Temperature range	-40 °C to +125 °C

#### **Inflammability class**

Housing	94 V-1
Contact bearer	94 HB

#### **Approvals**

UR	UR
VDE	VDE
SEV	SEV

#### **Packing unit**

Packaging unit	50 pieces
----------------	-----------

#### **Scope of delivery and accessories**

Accessories to order separately	(NBR) flat gasket GSN 20-3, Order No. 733 275-002; (EPDM) flat gasket GSN 20-6, Order No. 733 270-004
---------------------------------	--