

# Industrial products catalogue



# Contents

<b>SOUNDERS PAGE</b>	<b>Page</b>	<b>OBSTRUCTION LIGHTS</b>	<b>Page</b>
Asserta Maxi Sounder	6	Alpha 1 and 3	41
Asserta Midi Sounder	7		
Asserta Mini Sounder	8	<b>BELLS</b>	
Askari Panel - Sounder	9	CF Motorised Bell	43
Askari Flange - Sounder	10	FB Bell	44
RoLP - Sounder	11	AW Signalling Bell	45
<b>BEACONS AND SOUNDER BEACONS</b>		<b>HAZARDOUS AREAS</b>	
Asserta Maxi Sounder Beacon	14	BG2 - Explosion-proof Manual Call Point	47
Asserta Midi Sounder Beacon	15	DB3 - Explosion-proof Sounder	48
Asserta Mini Sounder Beacon	16	DWG21 Signalling Bell	49
Flashni - Sounder with Xenon Beacon	17	dSLB -Ex Signalling LED Beacon	50
RoLP Maxi Solista – Sounder with LED	18	XB11 - Explosion-proof Xenon beacon	51
Solista Maxi - LED Beacon	19	BDK 22 5j	52
Solex - Xenon Beacon	20	BG3 - Intrinsically safe manual call point	53
Asserta Beacon	21	DB5 - Intrinsically safe sounder	54
Xenon Single Flash	22	DB7 - Intrinsically safe sounder	55
Xenon Double Flash	23	XB8 - Intrinsically safe xenon beacon	56
Rotating Mirror	24	Barriers and Isolators - Intrinsically safe	57
LED Multifunction	25		
EVS Beacon	26	<b>PART NUMBERS</b>	<b>58 - 65</b>
Warning Beacon Accessories	27		
BLK LED	28		
BLK 5j Xenon	29		
BLK 15j Xenon	30		
BLK 5j Xenon Low Temperature	31		
BLK Super LED	32		
BLG 10j Xenon	33		
BLG LED Multifunction	34		
Powered Base	35		
<b>SIGNALLING</b>			
Combi Signalling Unit	37		
Signal Tower SL7 & and SL4	38		



# Eaton and Cooper united. Energizing a world that demands more.

## We deliver:

- **Electrical solutions** that use less energy, improve power reliability and make the places we live and work safer and more comfortable
- **Hydraulic and electrical solutions** that enable machines to deliver more productivity without wasting power
- **Aerospace solutions** that make aircraft lighter, safer and less costly to operate, and help airports operate more efficiently
- **Vehicle drivetrain and powertrain solutions** that deliver more power to cars, trucks and buses, while reducing fuel consumption and emissions

Discover today's Eaton.

## Powering business worldwide

As a global diversified power management company, we help customers worldwide manage the power needed for buildings, aircraft, trucks, cars, machinery and businesses.

Eaton's innovative technologies help customers manage electrical, hydraulic and mechanical power more reliably, efficiently, safely and sustainably.

We provide integrated solutions that help make energy, in all its forms, more practical and accessible.

With 2012 sales of \$16.3 billion, Eaton has approximately 103,000 employees around the world and sells products in more than 175 countries.

[Eaton.com](http://Eaton.com)

**EATON**

*Powering Business Worldwide*



# Sounders

Using expertise gained from many years of fire sounder development, Fulleon's Industrial products incorporate innovative ideas and concepts for both electrical and acoustic design, providing class leading efficiency alongside high build quality. The sounder portfolio features the Asserta range, ideal for demanding environments due to its robust design and an ingress protection rating of IP66 and the IP65 rated Askari, designed for use in control panels or equipment housing.





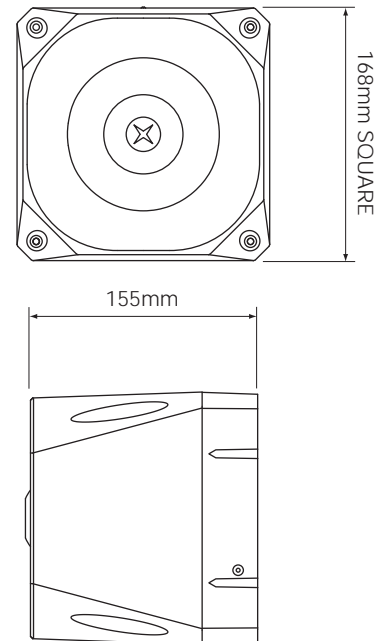
# Asserta Maxi Sounder

The Asserta Maxi sounder is designed to cope in harsh environments and gives protection for water ingress IP66. Designed to ensure safer and easier installation, while providing flexibility with fewer product variants.



## Technical Specification

Voltage	18 - 28Vdc / 115 - 230Vac
Current	110dB(A) - 105mA @ 24Vdc 120dB(A) - 450mA @ 24Vdc 110dB(A) - 40mA @ 230Vac 120dB(A) - 65mA @ 230Vac
Output	110dB(A) (Typical Tone 3) 120dB(A) (Typical Tone 3)
Tones	42
Alarm Stages	3
Volume Control	10dB(A)
Time Out	5 mins - 40 mins (user selectable)
Monitoring	Reverse polarity (dc version)
Temperature	- 25°C to + 70°C
Protection	IP66
Construction	ABS
Weight	1.6Kg (dc version) 2.5Kg (mains version)
Colour	Red or grey



### Features

- Powerful 120dB(A) output
- 3 stage alarm and time out function
- 42 alarm tones
- Robust design with IP66 protection

### Benefits

- Maximum sound output for high noise environments
- 3 levels of alarm for differing warning states
- Large range of tone options
- For demanding environments in non-hazardous areas

### Reference

AS/S/115-230/R/110  
AS/S/115-230/R/120  
AS/S/115-230G/120  
AS/S/24/110/R  
AS/S/24/G/110  
AS/S/24/120/R

### Catalogue No.

7013114FUL-0013  
7013124FUL-0014  
7092274FUL-0151  
7011114FUL-0011X  
7011214FUL-0044  
7011124FUL-0012X

### Description

Asserta Sounder, 115/230Vac, Red, 110dB  
Asserta Sounder, 115/230Vac, Red, 120dB  
Asserta Sounder, 115/230Vac, Grey, 120dB  
Asserta Sounder, 24Vdc, Red, 110dB  
Asserta Sounder, 24Vdc, Grey, 110dB  
Asserta Sounder, 24Vdc, Red, 120dB



# Asserta Midi Sounder

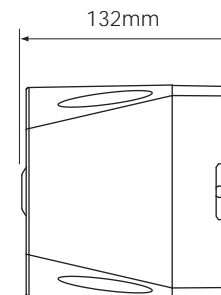
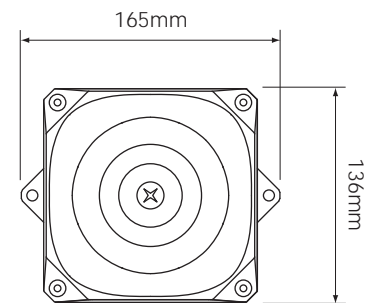
The Asserta Midi Sounder is a versatile, compact unit that has been designed for industrial environments or areas where there is a requirement for a robust alarm. Available for use in a wide range of fire and process systems.



## Technical Specification

Voltage	9 - 60Vdc 24Vac* 115 - 230Vac
Current	24mA @ 24Vdc (Typical Tone 3) 23mA @ 24Vac (Typical Tone 3) 12mA @ 230Vac (Typical Tone 3)
Sound Output	108dB(A) @ 24Vdc (Typical Tone 3) 108dB(A) @ 24Vac (Typical Tone 3) 112dB(A) @ 230Vac (Typical Tone 3)
Tones	32
Alarm Stages	2
Monitoring	Reverse polarity (dc only)
Temperature	- 25°C to + 70°C
Protection	IP66
Construction	ABS, PC
Weight	0.5Kg (dc version) 0.7Kg (mains version)
Colour	Red or grey

\* 24Vac version will also operate on 9 - 60Vdc. In dc configuration, tones can be switched by reversing supply polarity.



### Features

- 112dB(A) output
- 32 alarm tones
- 2 stage alarm
- Robust design with IP66 protection

### Benefits

- For Fire and general signalling use
- Large range of tone options
- Signals for different alarm levels
- For demanding environments

### Reference

AS/M/S/9-60V/R  
AS/M/S/9-60/G  
AS/M/S/115/230/R  
AS/M/S/115-230/G  
AS/M/S/24VAC/R

### Catalogue No.

7041134FUL-0020X  
7041214FUL-0176X  
7042134FUL-0023  
7092267FUL-0144  
7044134FUL-0022

### Description

Asserta Midi Sounder, Red, 9 to 60Vdc  
Asserta Midi Sounder, Grey, 9 to 60Vdc  
Asserta Midi Sounder, Red, 115Vac/230Vac  
Asserta Midi Sounder, Grey, 115Vac/230Vac  
Asserta Midi Sounder, Red, 24Vac (24Vdc polarity reversal tone select)

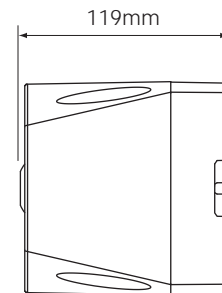
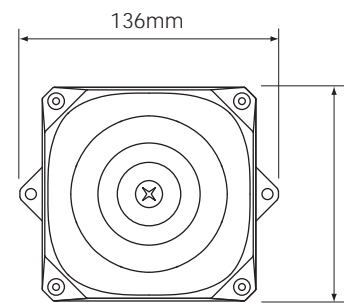
# Asserta Mini Sounder

The most compact sounder in the Asserta Range, the Mini is a rugged unit with high IP rating. Suitable for use in harsh environments, its low current consumption makes it ideal as a general signalling device in industrial applications. The Mini is also available with a tamper switch (*supplied as separate module*) for secure applications. Any interference with the unit can signal an alarm to a security panel.



## Technical Specification

Voltage	9 - 60Vdc 110 - 230Vac
Current	13mA @ 24Vdc (Typical Tone 3) 20mA @ 230Vac (Typical Tone 3)
Sound Output	105dB (Typical Tone 3)
Tones	32
Alarm Stages	2
Monitoring	Reverse Polarity (dc version)
Temperature	- 25°C to + 70°C
Protection	IP66
Construction	ABS
Weight	0.30Kg (dc version) 0.36Kg (mains version)
Colour	Red or grey



### Features

- 32 tones
- Wide operating voltage
- IP66 protection
- Compact enclosure

### Benefits

- Ideal for all general signalling applications
- Adaptable to all types of installation
- Suitable for harsh environments
- Can be used even in cramped spaces

### Reference

AS/N/S/9-60V/R  
AS/N/S/9-60V/G  
AS/N/110-230/R  
AS/N/SV/S/110-230V/G  
AS/M/S/115-230/G  
AS/S/115-230/G/120

### Catalogue No.

7061154FUL-0105  
7092269FUL-0146  
7063134FULL-0155  
7092268FUL-0145  
7092267FUL-0144  
7092274FUL-0151

### Description

Asserta Mini Sounder, Red, 9 to 60Vdc  
Asserta Mini Sounder, Grey, 9 to 60Vdc  
Asserta Mini Sounder, Red, 110 to 230Vac  
Asserta Mini Sounder, Grey, 110 to 230Vac  
Asserta Mini Sounder, Grey, 115 to 230Vac  
Asserta Mini Sounder, Grey, 115 to 230Vac



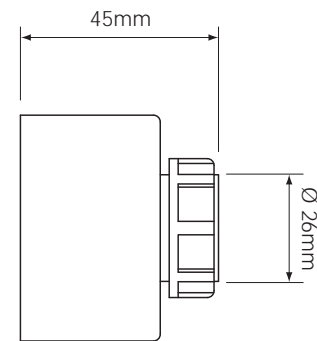
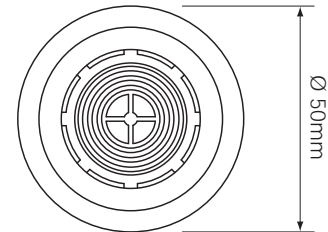
# Askari Panel - Process Sounder

A compact sounder, designed to fit through the fascias of control panels or equipment housings. The single nut fixing ensures simple installation and maximum audibility, while the high IP rating allows installation in most process and industrial environments.



## Technical Specification

Voltage	9-28Vdc, 24Vac
Current	18mA (Typical Tone 3)
Sound Output	92dB(A)
Tones	32
Alarm Stages	2
Temperature	- 25°C to + 70°C
Protection	IP65
Construction	ABS
Weight	0.9Kg
Colour	Red or white



### Features

- Small size
- Dedicated panel fixing
- 9Vdc to 28Vdc
- IP65 protection

### Benefits

- Easily accommodated
- Easy to fit into control equipment enclosures
- Accepts most common DC supplies
- Can be used in internal and external equipment

### Reference

AP/W/S/VC

### Catalogue No.

560002FULL-0072

### Description

Askari Panel Mounting Sounder, White, Tone Select Switch, Volume Control

AP/R/S VC

560013FULL-0021

Askari Panel Mounting Sounder, Red, Tone Select Switch, Volume Control

AP/SV/W/S/VC/24VAC

562002FULL-0076

Askari Panel, 24V, White Base, Switch, Volume Control

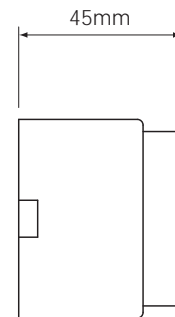
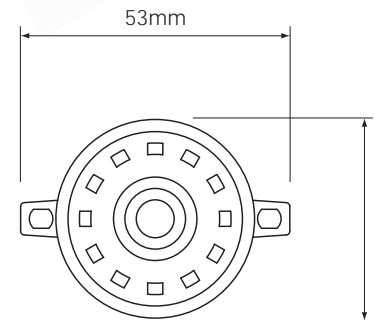
# Askari Flange - Process Sounder

The small size of the Askari flange allows it to be surface mounted in almost any location, either within or external to equipment housings. The high IP rating allows it to be used in most environments.



## Technical Specification

Voltage Range	9 - 28Vdc
Current	18mA (Typical Tone 3)
Sound Output	92dB(A) (Typical Tone 3)
Tones	32
Alarm Stages	2
Temperature	- 25°C to + 70°C
Protection	IP65
Construction	ABS
Weight	0.9Kg
Colour	Red or white



### Features

- Small size
- Flange type fixing
- 9Vdc to 28Vdc
- IP65 protection

### Benefits

- Easily fitted within or on control cabinets
- Can be fitted easily to most surfaces
- Accepts most common DC supplies
- Can be used in Exposed locations

### Reference

AF/R/S/VC

### Catalogue No.

570033FULL-0058

### Description

Askari Flange Mounting Sounder, Red, Tone Select Switch, Volume Control

AF/W/S/VC

570011FULL-0054

Askari Flange Mounting Sounder, White, Tone Select Switch, Volume Control

# RoLP Sounder

The Roshni Low Profile (RoLP) is the market leading conventional sounder for fire alarms. It is also found in much wider applications such as security, general signalling and process alarms. The wide operating voltage and range of tones available to the user make this flexible sounder adaptable in diverse applications.



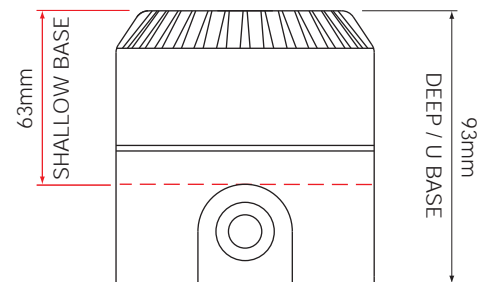
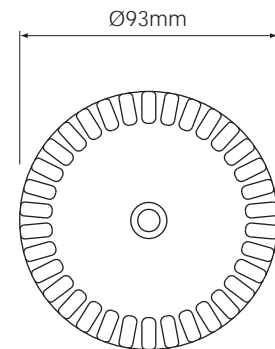
## Technical Specification

Voltage	Voltage 9 - 28Vdc (*1) 24Vac version available
Current	12mA (Typical Tone 3)
Sound Output	102dB(A) (Typical Tone 3)
Tones	32
Alarm Stages	2
Volume Control	10dB
Monitoring	Reverse polarity
Temperature	- 25°C to + 70°C
Protection	IP54 (s)* IP65 (d)*
Construction	ABS
Weight	0.25Kg
Colours	Red or white

(\*1) 110 to 230Vac with powered base

(s)\* Shallow Base

(d)\* Deep / U Base



### Features

- 32 tones (User selectable)
- Wide voltage range
- Secure bayonet fit base
- Volume control

### Benefits

- Fire Approved tones as well as general signalling options
- Suitable for Fire, Security and Industrial supplies
- Quick fitting for easy installation
- Reduce output to suit the location

### Reference

ROLP/SV/R/S

ROLP/SV/W/S

ROLP/SV/R/D

ROLP/SV/W/D

ROLP/SV/R/D + MAINS MODULE

ROLP/SV/W/D + MAINS MODULE

### Catalogue No.

540501FULL-0389X

540502FULL-0406X

540503FULL-0403X

540504FULL-0410X

547026FULL-0810

547027FULL-0811

### Description

RoLP, Shallow Base, Red

RoLP, Shallow Base, White

RoLP, Deep Base, Red

RoLP, Deep Base, White

ROLP, Deep Base, Red + Mains Mod

ROLP, Deep Base, White + Mains Mod

# Beacons and Sounder Beacons

This product range is ideal for situations where an audible alarm needs to be supported by a visual signal. The range includes a variety of high output warning beacons and sounder beacons, whose robust construction and environmental protection make them ideal for plant and process installations. As with Fulleon's Fire range, the xenon and halogen units are supplemented by a number of multi-function, reliable and durable LED products. The long operational life of LEDs is beneficial where maintenance and access may be restricted.







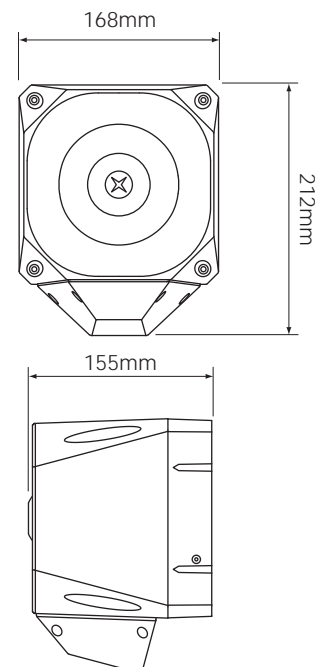
# Asserta Maxi Sounder Beacon

The Asserta Industrial warning sounder beacon is designed to cope with harsh environments requiring protection to IP66. Design features are incorporated to ensure safe and easy installation, while providing flexibility with fewer product variants.



## Technical Specification

Voltage	18 - 30Vdc 230Vac
Current Sounder	110dB(A) 105mA @ 24Vdc (Typical Tone 3) 120dB(A) 450mA @ 24Vdc (Typical Tone 3) 110dB(A) 40mA @ 230Vac (Typical Tone 3) 120dB(A) 65mA @ 230Vac (Typical Tone 3)
Current Beacon	120 - 620mA @ 24Vdc (dependant on setting) 15mA @ 230Vac
Output	110dB(A) 120dB(A)
Tones	42
Flash Power	3.6j @ 24Vdc 2.0j @ 230Vac
Flash Rate	1Hz (adjustable on 24Vdc)
Monitoring	Reverse polarity (dc version)
Temperature	- 25°C to + 70°C
Protection	IP66
Construction	ABS, PC
Weight	1.8Kg (dc version) 2.5Kg (mains version)
Colour	Red or grey
Lens colour	Red, amber, blue or clear



### Features

- Powerful 120dB(A) output
- 3 stage alarm and time out function
- 42 alarm tones
- Asymmetric beacon

### Benefits

- Maximum sound output for high noise environments
- 3 levels of alarm for differing warning states
- Large range of tone options
- Efficient use of light reduces current while generating the same intensity as a 5j beacon

### Reference

AS/SB/24/120/R/RL  
AS/SB/24/120/R/AL  
AS/SB/230/R/120/RL  
AS/SB/230/R/120/AL  
AS/SB/230/G/120/AL  
AS/SB/230/R/110/RL

### Catalogue No.

7021121FUL-0004X  
7021122FUL-0113X  
7022121FUL-0006  
7022122FUL-0114  
7092276FUL-0153  
7022111FUL-0005

### Description

Asserta Sounder/Beacon, 24Vdc, Red, 120dB, Red Lens  
Asserta Sounder/Beacon, 24Vdc, Red, 120dB, Amber Lens  
Asserta Sounder/Beacon, 230Vac, Red, 120dB, Red Lens  
Asserta Sounder/Beacon, 230Vac, Red, 120dB, Amber Lens  
Asserta Sounder/Beacon 230Vac, Grey, 120dB, Amber Lens  
Asserta Sounder/Beacon 230Vac, Red, 110dB, Red Lens

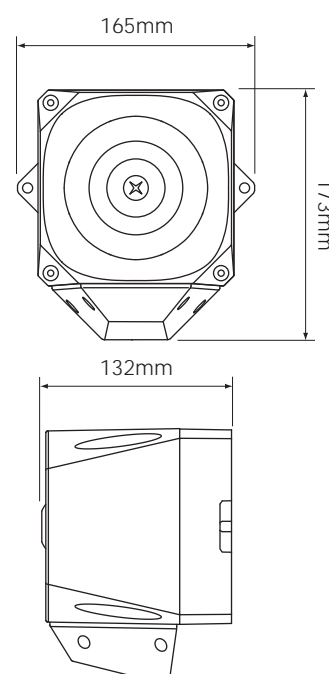
# Asserta Midi Sounder Beacon

The Asserta Midi Sounder Beacon is a versatile and rugged audio-visual alarm designed for industrial environments or areas where there is a requirement for a robust and well protected unit. The supply options permit use with a wide range of fire and process systems.



## Technical Specification

Voltage	9 - 60Vdc 115Vac 230Vac
Current Sounder	23mA @ 24Vdc (Typical Tone 3) 12mA @ 230Vac (Typical Tone 3)
Current Beacon	200mA @ 24Vdc 30mA @ 230Vac
Sound Output	108dB(A) @ 24Vdc (Typical Tone 3) 112dB(A) @ 230Vac (Typical Tone 3)
Tones	32
Alarm Stages	2
Flash Power	2.5j
Flash Rate	1Hz
Monitoring	Reverse polarity (dc version)
Temperature	- 25°C to + 70°C
Protection	IP66
Construction	ABS
Weight	0.8Kg
Colour	Red or grey
Lens Colour	Red, amber, blue or clear



### Features

- 112dB(A) output
- 32 alarm tones
- IP66 protection
- Asymmetric beacon

### Benefits

- Excellent for general signalling use
- Large range of tone options to suit all alarm functions
- For demanding environments
- Efficient use of light reduces current while generating the same intensity as a 5j beacon

### Reference

AS/M/SB/230/R/RL  
AS/M/SB/115/R/AL  
AS/M/SB/230/R/AL  
AS/M/SB/230/R/CL  
AS/M/SB/115V/R/RL  
AS/M/SB/115/G/AL

### Catalogue No.

7052111FUL-0130  
7092266FUL-0142  
7052212FUL-0116  
7052213FUL-0125  
7054111FUL-0046  
7092287FULL-0194

### Description

Asserta Midi, Sounder/Beacon 230Vac, Red, Red Lens  
Asserta Midi, Sounder/Beacon 115Vac, Grey, Amber Lens  
Asserta Midi, Sounder/Beacon, 230Vac, Red, Amber Lens  
Asserta Mini, Sounder/Beacon, 230Vac, Red, Clear Lens  
Asserta Midi, Sounder/Beacon, 115Vac, Red, Red Lens  
Asserta Midi, Sounder/Beacon, 115Vac, Grey Base, Amber Lens

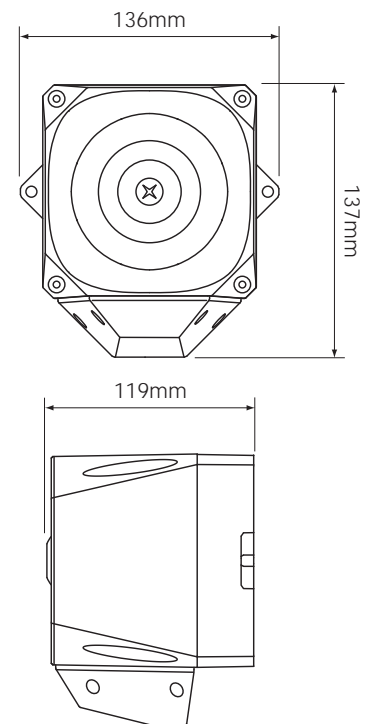
# Asserta Mini Sounder Beacon

The most compact sounder in the Asserta Range, the Mini is a rugged unit with high IP rating. Suitable for use in harsh environments. Its low current consumption makes it ideal as a general signalling device in industrial applications. The Mini is also available with a tamper switch (*supplied as separate module*) for secure applications. Any interference with the unit can signal an alarm to a security panel.



## Technical Specification

Voltage	9 - 60Vdc 115 - 230Vac
Current (sounder and beacon)	198mA @ 24Vdc (Typical Tone 3) 68 - 80mA @ 230Vac (Typical Tone 3)
Sound Output	105dB
Tones	32
Alarm Stages	2
Flash Power	2j
Flash Rate	1Hz
Monitoring	Reverse Polarity (dc version)
Temperature	- 25°C to + 70°C
Protection	IP66
Construction	ABS, PC Lens
Weight	0.43Kg (dc version) 0.55Kg (ac version)
Colour	Red or grey
Lens colour	Red, amber, blue or clear



### Features

- 32 tones (user selectable)
- Wide operating voltages
- Integrated beacon
- 4 lens colours

### Benefits

- Ideal for all general signalling applications
- Adaptable to all types of installations
- Easy installation
- Suits many alarm conditions

### Reference

AS/N/SB/115-230V/R/RL  
AS/N/SV/SB/9-60V/G/AL  
AS/N/SB/115-230V/G/AL  
AS/N/SB/115-230/R/AL  
AS/N/SB/110-230/G/BL  
AS/N/SB/115-230V/R/BL

### Catalogue No.

7062154FUL-0106  
7092270FUL-0147  
7092271FUL-0148  
7092278FUL-0166  
7092284FUL-0191  
7092286FUL-0193

### Description

Asserta Mini Sounder/Beacon, 115/230Vac, Red, Red Lens  
Asserta Mini Sounder/Beacon, 9 to 60Vdc, Grey, Amber Lens  
Asserta Mini Sounder/Beacon, 115/230Vac, Grey, Amber Lens  
Asserta Mini Sounder/Beacon, 115/230Vac, Red, Amber Lens  
Asserta Mini Sounder/Beacon, 115/230Vac, Grey, Blue Lens  
Asserta Mini Sounder/Beacon, Mains, Red, Blue Lens



# Flashni - Sounder with Xenon Beacon

The Flashni is an audible and visual device which requires one single installation point. This greatly reduces installation costs and is less obtrusive than two separate devices. Versions are available with the sounder and beacon linked, or with separate terminals for independent operation.

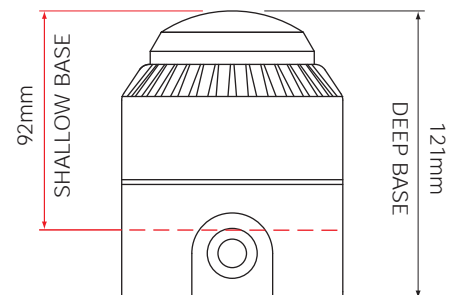
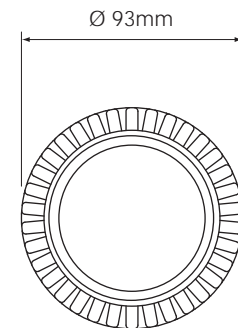
## Technical Specification

Voltage	9 - 15Vdc (12Vdc version) 18 - 28Vdc (24Vdc version) (*1)
Current	110mA 12Vdc version (Typical Tone 5) 68mA 24Vdc version (Typical Tone 3)
Sound Output	103dB(A) 12Vdc version (Typical Tone 5) 101dB(A) 24Vdc version (Typical Tone 3)
Tones	32
Flash Power	0.7j
Flash Rate	1Hz
Volume Control	10dB
Monitoring	Reverse polarity
Temperature	- 10°C to + 55°C
Protection	IP54 (s)* IP65 (d)*
Construction	ABS, PC lens
Weight	0.33Kg
Colours	Red or white
Lens Colour	Red, amber, blue, green or clear

(\*1) 110 / 230Vac when used with a Deep powered base.

(s)\* Shallow Base

(d)\* Deep / U Base



## Features

- 32 tones (user selectable)
- 12V or 24V
- Secure clip fit base
- Volume control

## Benefits

- Fire approved and Signalling tone options
- For Fire, Security and Signalling
- Quick fitting for easy installation
- Reduce output to suit application

Reference	Catalogue No.	Description
FL/RL/R/S SWITCH	640025FULL-0061X	Flashni Sounder/Beacon, Red Lens, Red Body, Shallow Base, Tone Select Switch.
FL/RL/R/D SWITCH	640031FULL-0111X	Flashni Sounder/Beacon, Red Lens, Red Body, Deep Base, Tone Select Switch.
FL/AL/W/D SWITCH	640024FULL-0060X	Flashni Sounder/Beacon, Amber Lens, White Body, Deep Base, Tone Select Switch
FL/CL/W/D 12V SND5	640206FULL-0089	Flashni 12V Sounder/Beacon, Clear Lens, White Body, Deep Base, Tone 5
FL/BL/W/D 24V	640016FULL-0011	Flashni XE, Deep Base, 24V, White Base, Blue Lens
FL/CL/R/D/SEPARATE/SWITCH	640466FULL-0282	Flashni XE, Deep Base, Red Base, Clear Lens, Separate Switch

# RoLP Maxi Solista - Sounder with LED

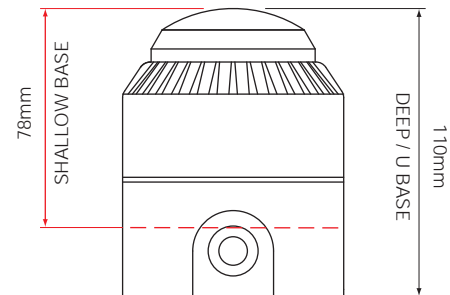
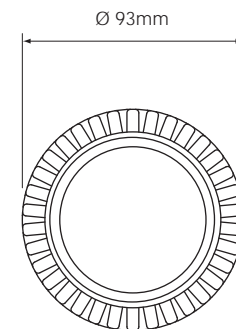
The RoLP Maxi Solista is an enhanced version RoLP Solista providing a higher sound output on six key alarm tones. This is an ideal audible and visual alarm for use where higher noise levels require the use of a more powerful sounder.



## Technical Specification

Voltage	18 - 28Vdc
Current	43mA (Typical Tone 3)
Sound Output	106dB(A) (Typical Tone 3)
Tones	32
Light Output	> 0.5cd
Flash Rate	1Hz
Volume Control	10dB
Monitoring	Reverse polarity
Temperature	- 10°C to + 55°C
Protection	IP54 (s)* IP65 (d)*
Construction	ABS, PC lens
Weight	0.3Kg
Colours	Red or white
Flash Colour	Red

(s)\* Shallow Base  
(d)\* Deep / U Base



### Features

- Low current – LED technology
- Single installation point
- 32 tones (user Selectable)
- Two stage alarm

### Benefits

- Reduced current consumption vs. Xenon alternative
- Beacon and high output sounder in one package
- Fire approved and general signalling tone options
- Alert and alarm function

### Reference

ROLPX/SB/RL/R/S  
ROLPX/SB/RL/R/D  
ROLPX/SB/RL/R/U

### Catalogue No.

8210119FULL-0001  
8210130FULL-0002  
8210121FULL-0003

### Description

RoLP Maxi Sounder Beacon, Red Lens, Red body, Shallow base  
RoLP Maxi Sounder Beacon, Amber lens, White body, Deep base  
RoLP Maxi Sounder Beacon, Red Lens, Red Body, U Base

# Solista Maxi - LED Beacon

The Solista Maxi, a LED beacon which gives the choice between economy and performance. In the economy mode the Solista Maxi performs extremely efficiently requiring as little as 3mA. But it can be switched to attain much higher light output where visibility is the prime objective. For even greater effectiveness a double flash sequence can be selected.



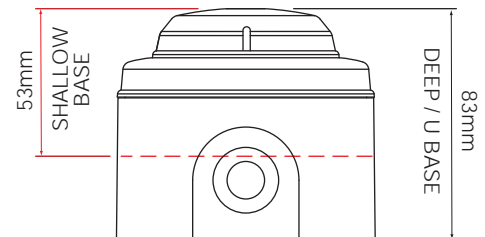
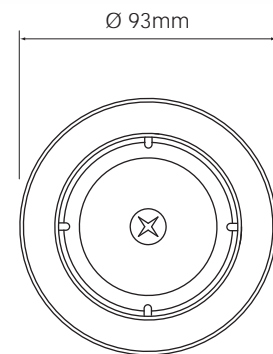
## Technical Specification

Voltage	9 - 60Vdc (*1)
Current	3 / 5 / 15mA (user selectable)
Light Output	0.5 / 1 / 3cd (user selectable)
Flash Rate	Single flash @ 1Hz Double flash @ 1Hz Continuous (user selectable)
Monitoring	Reverse polarity
Temperature	- 10°C to + 55°C
Protection	IP21C (s)* IP65 (d)*
Construction	Base ABS, FR, PC lens
Weight	0.1Kg
Colour	Red or white
Flash colour	Red, amber, blue, green or white

(\*1) 110 / 230Vac when used with a Deep powered base.

(s)\* Shallow Base

(d)\* Deep / U Base



## Features

- Ultra low current consumption
- LED technology
- Long service life
- Compact size

## Benefits

- Use where current consumption is a key consideration
- Ensures high efficiency and long life
- Reduces maintenance costs
- Discrete option where aesthetics or space is a priority

## Reference

SOLX/RF/RL/R/S  
SOLX/RF/RL/R/D  
SOLX/RF/CL/R/S  
SOLX/RF/CL/W/S  
SOLX/RF/RL/W/D  
SOLX/AF/CL/R/D +  
MAINS MODULE

## Catalogue No.

811021FULL-0037  
811020FULL-0036  
811041FULL-0006  
811023FULL-0039  
811024FULL-0040  
811057FULL-0082

## Description

Solista Maxi, Red Body, Red Flash, Shallow Base, Red Lens  
Solista Maxi, Red Body, Red Flash, Deep Base, Red Lens  
Solista Maxi, Red Body, Red Flash, Clear Lens  
Solista Maxi, White Body, Red Flash, Shallow Base, Clear Lens  
Solista Maxi, White Body, Red Flash, Deep Base, Clear Lens  
Solista Maxi, Red Body, Amber Flash, Clear Lens, Deep Base + Mains Mod

# Solex - Xenon Beacon

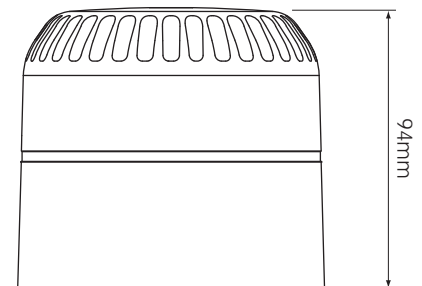
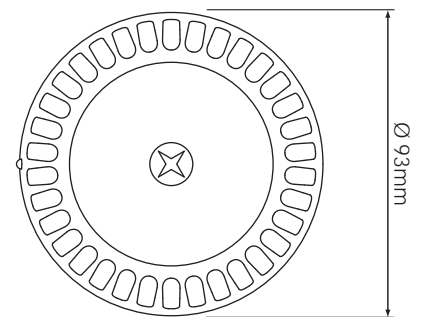
Xenon Beacons are a cost effective compliment to audible alarms for use in areas of high ambient noise. The wide operating voltage and automatic synchronisation of the Solex make them a universal solution for all types of alarm and monitoring systems.



## Technical Specification

Voltage	10 - 60Vdc (*1)
Current	Solex 3 85 - 25mA Solex 10 185 - 45mA Solex 15 510 - 120mA (current drops at higher voltage)
Light output	Solex 3 2.5cd Solex 10 10cd Solex 15 15cd
Monitoring	Reverse polarity
Temperature	- 25°C to + 70°C
Protection	IP65
Construction Base	ABS, PC lens
Weight	0.18Kg
Colour	Red or white base
Lens colour	Red, amber, blue, green or clear

(\*1) 110 / 230Vac when used with a Deep powered base



### Features

- 3 light output options
- 5 lens colour options
- 9V - 60V
- Tamper switch option (10cd)

### Benefits

- Performance to suit your application
- A colour to suit all events
- Wide operating voltage for maximum flexibility
- For use where security is an issue

### Reference

SO/A/DW/10

SO/R/DR/15

SO/A/DW/15

SO/R/DR/10C + MAINS MOD

SO/A/DW/10C + MAINS MOD

SO/B/DW/10C + MAINS MOD

### Catalogue No.

531027FULL-0085

531028FULL-0111

531029FULL-0112

531024FULL-1049

531027FULL-1048

531051FULL-1051

### Description

Solex Beacon, Amber Lens, White, Deep Base, 10cd

Solex Beacon, Red Lens, Red, Deep Base, 15cd

Solex Beacon, Amber Lens, White Deep Base, 15cd

Solex Xenon, Red Lens, Red, Deep Base, 10cd + Mains Mod

Solex Xenon, Amber Lens, White, Deep Base, 10cd + Mains Mod

Solex Xenon, Blue Lens, White, Deep Base, Mains, 10cd + Mains Mod



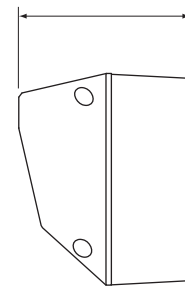
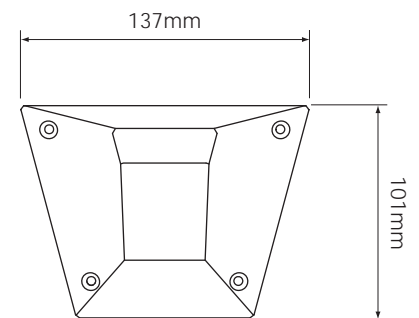
# Asserta Beacon

The distinctive shape of this industrial beacon and its robust construction are combined with highly efficient control of the light output to give a performance normally associated with much more powerful units. Available with different voltage supply for added versatility.



## Technical Specification

Range	10 - 30Vdc 230Vac
Current	250mA @ 24Vdc 15mA @ 230Vac
Flash Power	3.6j (dc version) 2.0j (ac version)
Flash Rate	1Hz (adjustable on 24Vdc)
Monitoring	Reverse polarity (dc version)
Temperature	- 25°C to + 70°C
Protection	IP66
Construction	ABS,PC
Weight	0.3Kg
Body Colour	Red
Lens Colours	Red, amber, blue or clear



### Features

- Xenon beacon matching the Asserta range of sounders
- IP66 protection
- Adjustable flash rate (24Vdc version)
- Asymmetric light output

### Benefits

- A robust beacon complementing the Asserta industrial products
- Suitable for external use
- Provides extra differentiation between alarm events
- Lens is designed to optimise light output for maximum visibility

### Reference

AS/B/230/RL  
AS/B/24/RL  
AS/B/24/BL

### Catalogue No.

7032131FUL-0002  
7031131FUL-0001  
7092298FULL-0244

### Description

Asserta Beacon, 230Vac, Red Lens  
Asserta Beacon, 24Vdc, Red Lens  
Asserta Beacon, 24Vdc, Blue Lens

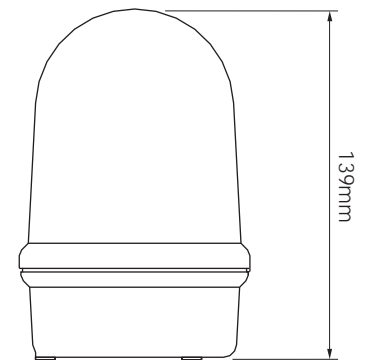
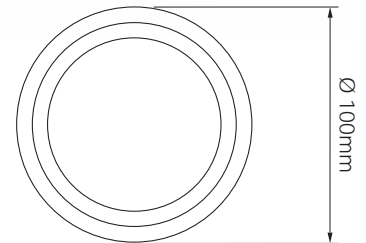
# Xenon Single Flash - Warning Beacon

This versatile beacons provide a simple solution for visual warnings in noisy environments. The lens design ensures a consistent distribution of light in all directions.



## Technical Specification

Voltage	24Vdc 230Vac
Current	300mA @ 24Vdc 150mA @ 230Vac
Light Output	5j / 1Hz
Temperature	- 20°C to + 50°C
Protection	IP65
Construction	ABS, PC
Weight	0.2Kg
Colour	Black base
Lens Colour	Red, amber or blue



### Features

- High light output
- IP65 protection
- Robust enclosure
- Locking lens

### Benefits

- Good visibility in all directions
- Suitable for external use
- Ideal for industrial or harsh environments
- Resists unauthorised access

Reference  
WB/XS/R/024

Catalogue No.  
753352FULL-0000

Description  
Single Flash Beacon, 24Vdc, Red

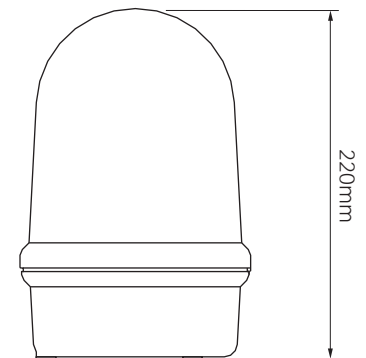
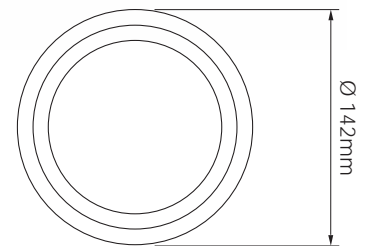
# Xenon Double Flash - Warning Flash

A very bright and durable beacon, the dual high power flashes make this beacon clearly visible in most lighting and operating conditions.



## Technical Specification

Voltage	24Vdc 230Vac
Current	800mA @ 24Vdc 200mA @ 230Vac
Light Output	10j / 5j 1Hz
Temperature	- 30°C to + 50°C
Protection	IP65
Construction	ABS, PC
Weight	0.47Kg
Colour	Black base
Lens Colour	Red, amber or blue



### Features

- Double flash totalling 15j
- IP65 protection
- Robust enclosure
- Locking lens

### Benefits

- Excellent visibility due to extended flash duration
- Suitable for external use
- Ideal for industrial or harsh environments
- Resists unauthorised access

### Reference

WB/XD/R/024  
WB/XD/A/024  
WB/XD/R/230

### Catalogue No.

753452FULL-0000  
753412FULL-0000  
753454FULL-0000

### Description

Double Flash Beacon, 24Vdc, Red  
Double Flash Beacon, 24Vdc, Amber  
Double Flash Beacon, 230Vac, Red

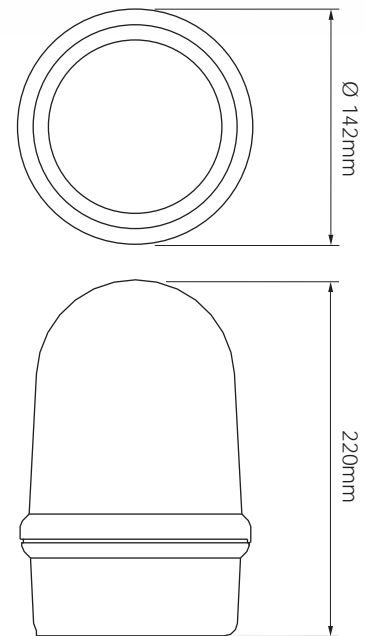
# Rotating Mirror - Warning Beacon

These highly visible beacons are designed to be durable in harsh industrial environments. The rotating mirror assembly and balanced motor assembly allow the beacon to be mounted on both horizontal and vertical surfaces.



## Technical Specification

Voltage	24Vac/dc 230Vac
Current	1.6A @ 24Vdc 170mA @ 230Vac
Flash Rate	3Hz
Light Source	35W halogen lamp
Temperature	- 30°C to + 50°C
Protection	IP65
Construction	ABS, PC
Weight	0.67Kg
Colour	Black base
Lens Colour	Red, amber or blue



### Features

- 35W Halogen light source with rotating mirror
- IP65 Protection
- Robust enclosure
- Locking lens

### Benefits

- High visibility sweeping beam for maximum attention
- Suitable for external use
- Ideal for industrial or harsh environments
- Resists unauthorised access

### Reference

WB/RM/R/024  
WB/RM/A/024  
WB/RM/A/230  
WB/RM/B/024

### Catalogue No.

752152FULL-0000  
752112FULL-0000  
752114FULL-0000  
752122FULL-0000

### Description

Rotating Mirror Beacon, 24Vac/dc, Red  
Rotating Mirror Beacon, 24Vac/dc, Amber  
Rotating Mirror Beacon, 230Vac, Amber  
Rotating Mirror Beacon, 24Vac/dc, Blue

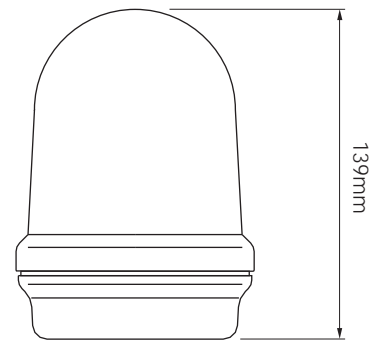
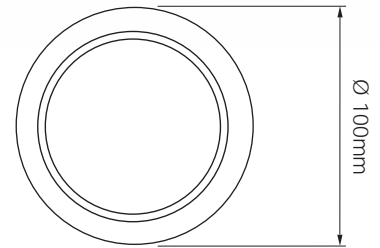
# LED Multifunction - Warning Beacon

In addition to the long life and durability of LED light sources, the LED multifunction beacons has a choice of static, flashing and rotating modes to suit a variety of warning applications.



## Technical Specification

Voltage	24Vdc
Current	150mA
Flash Rate	1.5Hz
Light Output	Static / flash / rotate (user selectable)
Temperature	- 20°C to + 50°C
Protection	IP65
Construction	ABS, PC
Weight	0.22Kg
Colour	Black base
Lens Colour	Red or amber



### Features

- 3 operating modes
- LED light source
- IP65 protection
- Locking lens

### Benefits

- Provides distinct signals to differentiate between alarm conditions
- Long life, low maintenance light source
- Suitable for external use
- Resists unauthorised access

### Reference

WB/L/AL/024/SPR

WB/L/R/024/SPR

### Catalogue No.

754712FULL-0000

754752FULL-0000

### Description

LED Permanent/Blinking/Rotating, 24Vac, Amber

LED Permanent/Blinking/Rotating, 24Vdc, Red



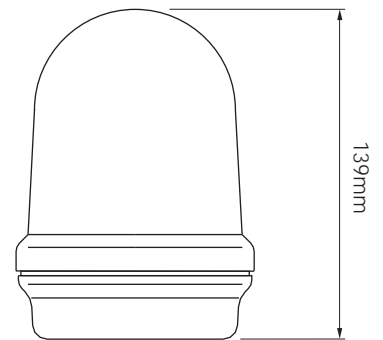
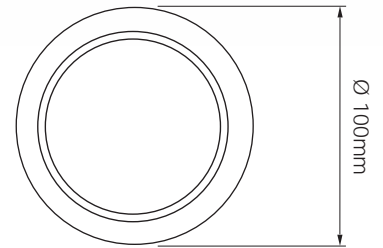
# EVS - Enhanced Visibility System

The EVS warning beacon provides a unique attention grabbing flickering light that has been developed to prevent acclimatisation. This beacon is effective in signalling extremely hazardous situations where there is a need for immediate action.



## Technical Specification

Voltage	24Vdc
Current	150mA
Flash	EVS
Light Source	LED
Temperature	- 20°C to + 50°C
Protection	IP65
Construction	ABS, PC
Weight	0.29Kg
Colour	Black base
Lens Colour	Red



### Features

- Unique random flash pattern
- LED light source
- IP65 protection
- Locking lens

### Benefits

- Random flash has high attention grabbing properties
- Long life, low maintenance light source
- Suitable for external use
- Resists unauthorised access

### Reference

WB/L/R/024/EVS

WB/L/A/024/EVS

WB/L/R/115-230/EVS

WB/L/A/115-230/EVS

### Catalogue No.

755001FULL-0000

755002FULL-0000

755004FULL-0000

755005FULL-0000

### Description

LED EVS Beacon, 24Vdc, Red

LED EVS Beacon, 24Vdc, Amber

LED EVS Beacon, 115-230Vac, Red

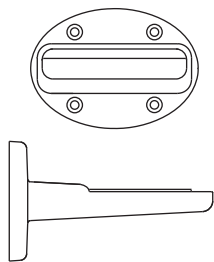
LED EVS Beacon, 115-230Vac, Amber

# Warning Beacon - Accessories

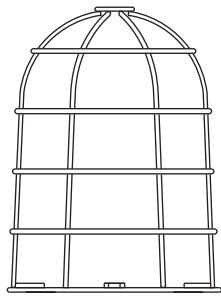
## WB/RX/GUARD & BRACKET WB/L/GUARD & BRACKET

Accessories enhance the performance of the beacons and extend life by preventing accidental damage.

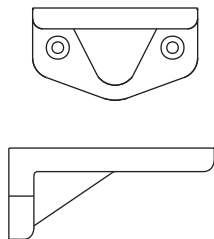
### Technical Specification



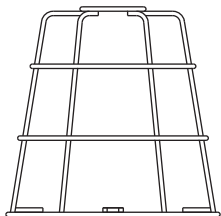
WB / RX / BRACKET  
W 126mm x H 90mm x D 156mm



WB / RX / GUARD  
H 155mm x DØ 230mm



WB / L / BRACKET  
W 79mm x H 44mm x D 99mm



WB / L / GUARD  
H 143mm x DØ 146mm



#### Features

- ABS right angle brackets
- Brackets allow concealed cabling
- Sturdy guards
- Corrosion resistant finish

#### Benefits

- Allows the beacons to be mounted for optimum light distribution
- Cable is protected from damage
- Protect the beacons from severe impact damage
- Reduces maintenance

#### Reference

WB/RX/BRACKET  
WBL/BRACKET  
WB/RX/GUARD  
WBL/GUARD

#### Catalogue No.

750010FULL-0000  
750020FULL-0000  
750001FULL-0000  
750002FULL-0000

#### Description

Wall Bracket for WBR & WBX Beacons  
Wall Bracket for WBL Beacons  
Guard for WBR & WBX Beacons  
Guard for WBL Beacons

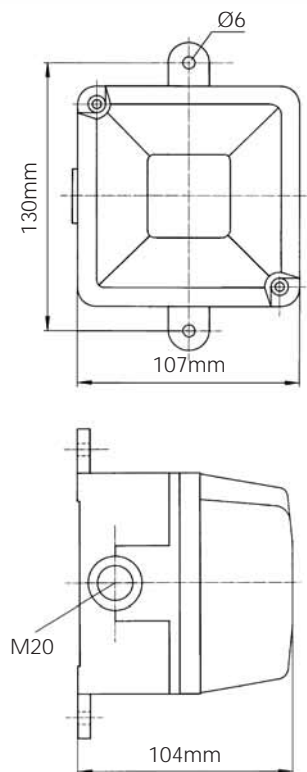
# BLK 5j Xenon

The BLK is a durable signalling beacon with a tough seawater proof aluminium base and polycarbonate lens. The 5j rating is ideal for general purpose industrial signalling.



## Technical Specification

Voltage	24Vdc (15Vdc to 32Vdc) 230Vac
Current	500mA @ 24Vdc 70mA @ 230Vac
Flash rate	1Hz
Flash power	5j
Flash colour	Clear, red, amber, green, blue
Temperature	-30°C to +50°C
Protection	IP65
Construction	Lens - polycarbonate base - seawater proof coated aluminium
Weight	0.7Kg
Colours	Base - light grey



## Features

- Wall mounting 5j xenon beacon
- 5 lens colours
- IP65 protection
- Salt water resistant aluminium and polycarbonate housing

## Benefits

- A highly visible beacon optimised for wall mounting applications
- Signal colour to suit all events
- Internal or external use
- Suitable for use in the harshest of environments

## Reference

BLK40/5J/X/CL/15-32VDC  
BLK40/5J/X/RL/15-32VDC  
BLK30/5J/X/CL/110VAC  
BLK30/5J/X/RL/110VAC  
BLK30/5J/X/CL/230VAC  
BLK30/5J/X/RL/230VAC

## Catalogue No.

22411401  
22411402  
22411101  
22411102  
22411201  
22411202

## Description

Strobe Light BLK 40, 5j, 15-32Vdc, Clear  
Strobe Light BLK 40, 5j, 15-32Vdc, Red  
Strobe Light BLK 30, 5j, 110Vac, Clear  
Strobe Light BLK 30, 5j, 110Vac, Red  
Strobe Light BLK 30, 5j, 230Vac, Clear  
Strobe Light BLK 30, 5j, 230Vac, Red

# BLK 15j Xenon

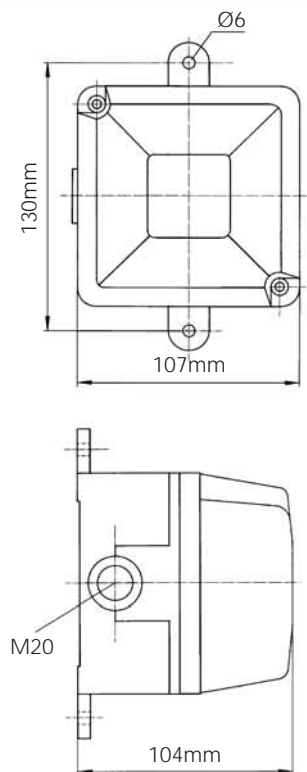
The BLK 15j is a very bright general purpose industrial beacon, with a tough seawater proof aluminium base and polycarbonate lens. The BLK 15j offers a very bright alternative to the general purpose BLK 5j.



## Technical Specification

Voltage	24Vdc (16Vdc to 30Vdc) 230Vac
Current	900mA at 24Vdc 250mA @230Vac
Flash rate	0.5Hz
Flash power	15j*
Flash colour	Clear, red, amber, green, blue
Temperature	-30°C to +50°C
Protection	IP65
Construction	Lens - polycarbonate base - seawater proof coated aluminium
Weight	0.7Kg
Colours	Base - light grey

\*Not rated for continuous operation



## Features

- Wall mounting 15j beacon
- 5 lens colours
- IP65 protection
- Salt water resistant aluminium and polycarbonate housing

## Benefits

- An extremely bright beacon providing long range visibility
- Signal colour to suit all events
- Suitable for internal or external use
- Suitable for use in the harshest of environments

## Reference

BLK60/15J/X/CL/24VDC  
BLK60/15J/X/RL/24VDC  
BLK60/15J/X/AL/24VDC  
BLK50/15J/X/CL/230VAC  
BLK50/15J/X/RL/230VAC  
BLK50/15J/X/AL/230VAC

## Catalogue No.

22412401  
22412402  
22412403  
22412201  
22412202  
22412203

## Description

Strobe Light BLK 60, 15j, 24Vdc, Clear  
Strobe Light BLK 60, 15j, 24Vdc, Red  
Strobe Light BLK 60, 15j, 24Vdc, Amber  
Strobe Light BLK 50, 15j, 230Vac, Clear  
Strobe Light BLK 50, 15j, 230Vac, Red  
Strobe Light BLK 50, 15j, 230Vac, Amber

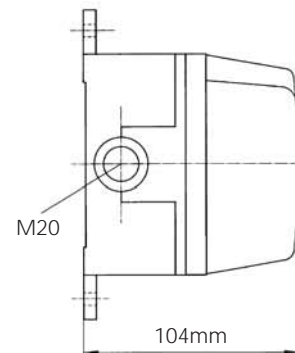
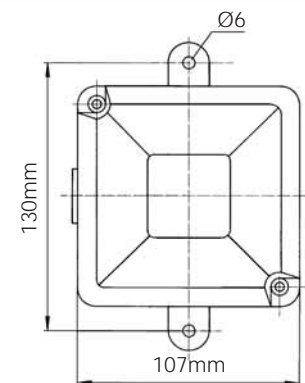
# BLK 5j Xenon - Low Temperature

The BLK LED is a durable signalling beacon with a tough seawater proof aluminium base and polycarbonate lens. The beacon operates down to -50°C and is ideal for cold stores or areas exposed to low external temperatures.



## Technical Specification

Voltage	24Vdc (16Vdc to 30Vdc) 230Vac
Current	500mA @ 24Vdc 70mA @ 230Vac
Flash rate	1Hz
Flash power	5j
Flash colour	Clear, red, amber, green, blue
Temperature	-50°C to +50°C
Protection	IP65
Construction	Lens - polycarbonate Base - seawater proof coated aluminium
Weight	0.7Kg
Colours	Base - light grey



## Features

- Wall mounting 5j beacon
- -50°C to +50°C operating temperature range
- IP65 protection
- Salt water resistant aluminium and polycarbonate housing

## Benefits

- A highly visible beacon optimised for wall mounting applications
- Allows use in extreme climatic conditions
- Suitable for internal or external use
- Suitable for use in the harshest of environments

## Reference

BLK42/5J/X/CL/24VDC/LT  
BLK42/5J/X/RL/24VDC/LT  
BLK42/5J/X/AL/24VDC/LT  
BLK32/5J/X/CL/230VAC/LT  
BLK32/5J/X/RL/230VAC/LT  
BLK32/5J/X/AL/230VAC/LT

## Catalogue No.

22421401  
22421402  
22421403  
22421201  
22421202  
22421203

## Description

Strobe Light BLK 42, 5j, 15-32Vdc, Clear, Low temp  
Strobe Light BLK 42, 5j, 15-32Vdc, Red, Low temp  
Strobe Light BLK 42, 5j, 15-32Vdc, Amber, Low temp  
Strobe Light BLK 32, 5j, 230Vac, Clear, Low temp  
Strobe Light BLK 32, 5j, 230Vac, Red, Low temp  
Strobe Light BLK 32, 5j, 230Vac, Amber, Low temp



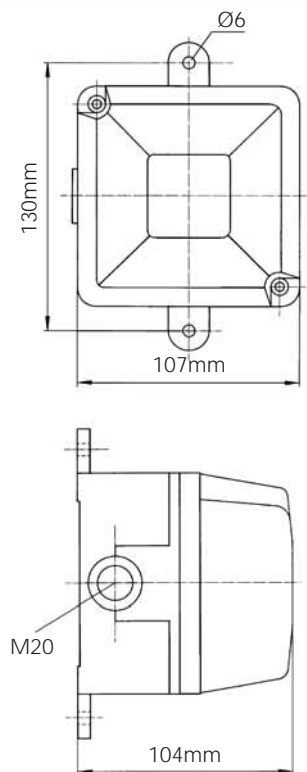
# BLK LED

The BLK LED is a durable signalling beacon with a tough seawater proof aluminium base and polycarbonate lens optimised for wall mounting. The range of six operating modes ensures that a distinct visual signal can be chosen for any application where ambient noise would reduce the effectiveness of audible alarms.



## Technical Specification

Voltage	24Vdc 230Vac
Current	160mA @ 24Vdc 12mA @ 230Vac
Flash rate	Steady flashing blinking (5 Settings)
Flash colour	Red, amber, green, blue
Temperature	-30°C to +50°C
Protection	IP65
Construction	Lens - polycarbonate base - seawater proof coated aluminium
Weight	0.7Kg
Colours	Base - light grey



### Features

- 5 modes
- LED light source
- IP65 protection
- Salt water resistant aluminium and polycarbonate housing

### Benefits

- Provides distinct signals to differentiate between alarm conditions
- Long life, low maintenance light source
- Suitable for internal or external use
- Suitable for use in the harshest of environments

### Reference

BLK/L/RL/24VDC  
BLK/L/AL/24VDC  
BLK/L/RL/230VAC  
BLK/L/AL/230VAC

### Catalogue No.

22161302  
22161303  
22160702  
22160703

### Description

LED-Signal Light BLK LED, 24Vdc, Red  
LED-Signal Light BLK LED, 24Vdc, Amber  
LED-Signal Light BLK LED, 230Vac, Red  
LED-Signal Light BLK LED, 230Vac, Amber

# BLK Super LED

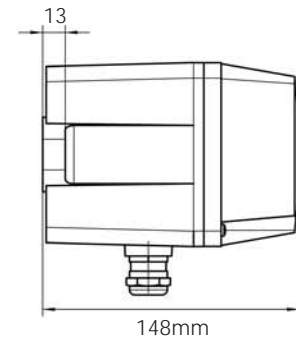
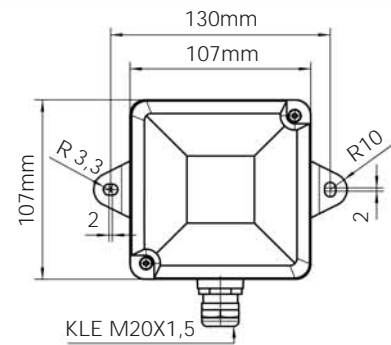
The BLK Super LED is a high output durable signalling beacon with a tough seawater proof aluminium base and polycarbonate lens optimised for wall mounting. Two versions are available producing 1200lm or 2000lm. A range of three operating modes ensures that a distinct visual signal can be chosen for any application where ambient noise would reduce the effectiveness of audible alarms.



## Technical Specification

Voltage	24Vdc (18Vdc to 35Vdc) 230Vac (85Vac to 264Vac)
Current	1200lm 24Vdc 900mA 2000lm 24Vdc 1350mA 1200lm 230Vac 150mA 2000lm 230Vac 200mA
Flash rate	Steady, flashing, blinking (3 Settings)
Light output	1200lm or 2000lm
Flash colour	Clear, red, amber, green, blue
Temperature*	1200lm -55°C to +55°C 2000lm -55°C to +45°C
Protection	IP65
Construction	Lens - polycarbonate base - seawater proof coated aluminium
Weight	1.4Kg
Colours	Base - light grey

\*See installation data for maximum limits



## Features

- High output LED wall mounting beacon
- LED light source
- IP65 protection
- Salt water resistant aluminium and polycarbonate housing

## Benefits

- A highly visible beacon optimised for wall mounting applications
- Long life, low maintenance light source
- Suitable for internal or external use
- Suitable for use in the harshest of environments

## Reference

BLK/L/RL/24VDC/1200LM  
BLK/L/AL/24VDC/1200LM  
BLK/L/RL/230VAC/1200LM  
BLK/L/AL/230VAC/1200LM  
BLK/L/RL/230VAC/2000LM  
BLK/L/AL/230VAC/2000LM

## Catalogue No.

22163302  
22163303  
22163702  
22163703  
22164702  
22164703

## Description

LED-Signal Light BLK Super LED, 24Vdc, 1200 lm, Red  
LED-Signal Light BLK Super LED, 24Vdc, 1200 lm, Amber  
LED-Signal Light BLK Super LED, 230Vac, 1200 lm, Red  
LED-Signal Light BLK Super LED, 230Vac, 1200 lm, Amber  
LED-Signal Light BLK Super LED, 230Vac, 2000 lm, Red  
LED-Signal Light BLK Super LED, 230Vac, 2000 lm, Amber

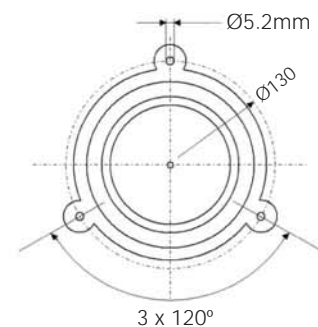
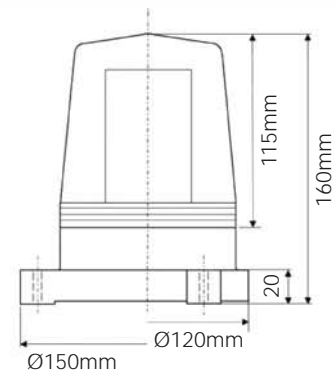
# BLG 10j Xenon

The BLG 10j a general purpose beacon with an integral anti-vibration mounting base. The beacon ideal for providing visual warnings in applications where vibration may occur, such as machines, vehicles and cranes.



## Technical Specification

Voltage	24Vac/dc (20Vac to 75Vac) (10Vdc to 100Vdc) 230Vac
Current	50 to 160mA @ 10 to 100Vdc 100 to 160mA @ 20 to 75Vac 80mA @230Vac
Flash rate	1Hz
Flash power	10j
Flash colour	Red, amber, green, blue
Temperature	-20°C to +50°C
Protection	IP67
Construction	Lens - polycarbonate base - TPF rubber
Weight	0.45Kg
Colours	Base - black



### Features

- 10j xenon beacon
- Anti-vibration base
- IP67 protection
- 5 lens colours

### Benefits

- A high visibility beacon
- Base protects the beacon from vibration, extending operational life and reducing maintenance
- Protected against extreme weather conditions
- Signal colour to suit all events

### Reference

BLG10/10J/X/RL/20-75VAC/10-100VDC  
BLG10/10J/X/AL/20-75VAC/10-100VDC  
BLG10/10J/X/BL/20-75VAC/10-100VDC  
BLG10/10J/X/CL/230VAC  
BLG10/10J/X/RL/230VAC  
BLG10/10J/X/AL/230VAC

### Catalogue No.

22461302  
22461303  
22461305  
22460701  
22460702  
22460703

### Description

Strobe Light BLG 10j, 20-75Vac/10-100Vdc, Red, Anti-Vibration  
Strobe Light BLG 10j, 20-75Vac /10-100Vdc, Amber, Anti-Vibration  
Strobe Light BLG 10j, 20-75Vac/10-100Vdc, Blue, Anti-Vibration  
Strobe Light BLG 10j, 230Vac, Clear, Anti-Vibration  
Strobe Light BLG 10j, 230Vac, Red, Anti-Vibration  
Strobe Light BLG 10j, 230Vac, Amber, Anti-Vibration

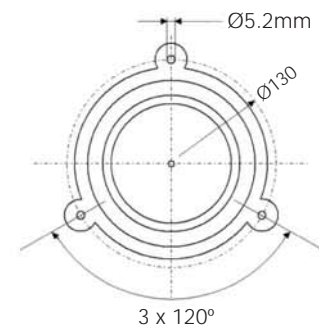
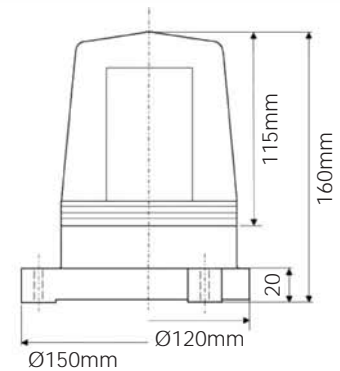
# BLG LED Multifunction

The BLG LED is a versatile beacon with an integral anti-vibration mounting base and four flash patterns. The beacon is ideal for providing visual warnings in applications where vibration may occur, such as machines, vehicles and cranes.



## Technical Specification

Voltage	24Vdc 230Vac
Current	600mA @ 24Vdc 70mA @ 230Vac
Flash rate	Rotate, Flash, Blink, Steady
Flash colour	Red, amber, green, blue
Temperature	-40°C to +50°C
Protection	IP67
Construction	Lens - polycarbonate base - TPF rubber
Weight	0.45Kg
Colours	Base - black



### Features

- LED beacon with 4 operational modes
- Anti-vibration base
- IP67 protection
- 5 lens colours

### Benefits

- Provides a distinct signal for all types of event
- Base protects the beacon from vibration, extending operational life and reducing maintenance
- Protected against extreme weather conditions
- Signal colour to suit all events

### Reference

BLG/L/CL/12-24/VAC/DC  
BLG/L/RL/12-24/VAC/DC  
BLG/L/AL/12-24/VAC/DC  
BLG/L/CL/230VAC  
BLG/L/RL/230VAC  
BLG/L/AL/230VAC

### Catalogue No.

22151301  
22151302  
22151303  
22150701  
22150702  
22150703

### Description

LED-Signal Light BLG LED, 12/24Vac/dc, Clear, Anti-Vibration  
LED-Signal Light BLG LED, 12/24Vac/dc, Red, Anti-Vibration  
LED-Signal Light BLG LED, 12/24Vac/dc, Amber, Anti-Vibration  
LED-Signal Light BLG LED, 230Vac, Clear, Anti-Vibration  
LED-Signal Light BLG LED, 230Vac, Red, Anti-Vibration  
LED-Signal Light BLG LED, 230Vac, Amber, Anti-Vibration

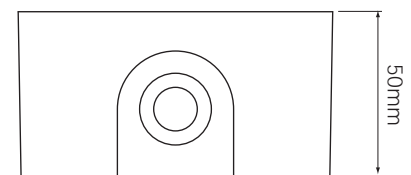
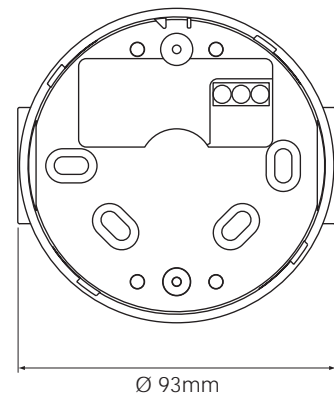
# Powered Base

The powered deep base incorporates a small 24Vdc supply that allows any of the compatible Cooper Fullon sounders and beacons to be operated from 110 or 230Vac supplies. This allows the installer much greater flexibility in the use of products and their applications.



## Technical Specification

Voltage	110Vac - 230Vac (50/60Hz)
Output	100mA @ 24Vdc
Temperature	- 10°C to + 55°C
Protection	IP65
Construction	ABS
Weight	0.1Kg
Colours	Red or white
Compatible Products	RoLP, Flashni, Solex 3/10, RoLP Solista, Solista Maxi



### Features

- Wide input voltage
- Many compatible products
- Red or white finish
- Surface fixing or conduct box mounting

### Benefits

- Suits most AC mains supply without adjustment
- Provides 24V products with extra flexibility
- Matches product finish
- Compatible with most wiring systems

### Reference

U Base Red  
 Deep Base Red  
 Deep Base White  
 Shallow Base Red  
 Powered Deep Base Red  
 Powered Deep Base White

### Catalogue No.

590020FULL-0094  
 593001FUL-0022  
 593002FULL-0017  
 593005FULL-0027  
 631201FUL-0109  
 631202FUL-0117

### Description

U Red Base + Locking Screw  
 Deep Red Base + Locking Screw  
 Deep White Base + Locking Screw  
 Shallow Red Base + Locking Screw  
 Deep Base Red, with 110-230Vac to 24Vdc, Supply Mod  
 Deep Base White, with 110-230Vac to 24Vdc, Supply Mod



# Signalling

A versatile and customisable range that provides ultimate flexibility, can be configured to suit many status warning applications. Two different product families are available covering both visual or audible-visual options. Both are easy to assemble and install.



# Combi Signalling Unit - Status Indicator

The Combi signalling units provide an extremely flexible system for the assembly of audible and visual signals that may be used in applications where different levels of warning or status need to be communicated.



## Technical Specification

The foundation of the system is the deep base pre-assembled into linear units of 2, 3 or 4 pieces. Into the assemblies the user can fit audible and visual warnings chosen from the standard ranges of Cooper Fulleon RoLP sounders, Solex Xenon beacons and Solista Maxi LED beacons.

The RoLP and RoLP Maxi allow the user to choose from 32 alarm tones and outputs in excess of 107dB(A). The Solex Xenon beacons are available with three levels of light output and in five colours, the Solista Maxi beacons again offer five colours and additionally three user selectable modes of operation; steady, single flash, and double flash. LED beacons also are inherently robust and have extremely long operating lifetimes important where access for maintenance may be limited.

Supply voltages from 9 to 60Vdc and 110 to 230Vac are available.

Please see data sheets for the particular devices for full specification.



## Combi Bases

WHITE	○ ○	2W White
RED	● ●	2W Red
WHITE	○ ○ ○	3W White
RED	● ● ●	3W Red
WHITE	○ ○ ○ ○	4W White
RED	● ● ● ●	4W Red



## Features

- Traffic light style indicator
- 2, 3 or 4 way assemblies
- Uses standard Fulleon sounders and beacons
- IP65 protection

## Benefits

- Flexible configurations to suit many status warning applications
- Can be assembled to give any combination of four audible and visual signals
- Quick and easy to configure
- Can be used internally or externally

## Reference

## Catalogue No.

## Description

ST71/L/S/R/24AC/DC	764555FULL-0000	LED Permanent Light Element, 24Vac/dc, Red Lens
ST71/L/S/G/24AC/DC	764545FULL-0000	LED Permanent Light Element, 24Vac/dc, Green Lens
ST71/L/S/A/24AC/DC	764515FULL-0000	LED Permanent Light Element, 24Vac/dc, Amber Lens
ST71/L/S/C/24AC/DC	764535FULL-0000	LED Permanent Light Element, 24Vac/dc, Clear Lens (White Light)
ST71/L/S/B/24AC/DC	764525FULL-0000	LED Permanent Light Element, 24Vac/dc, Blue Lens
ST71/BZ/24AC/DC	769105FULL-0000	Buzzer Element, 24Vac/dc

# Signal Towers SL7 and SL4

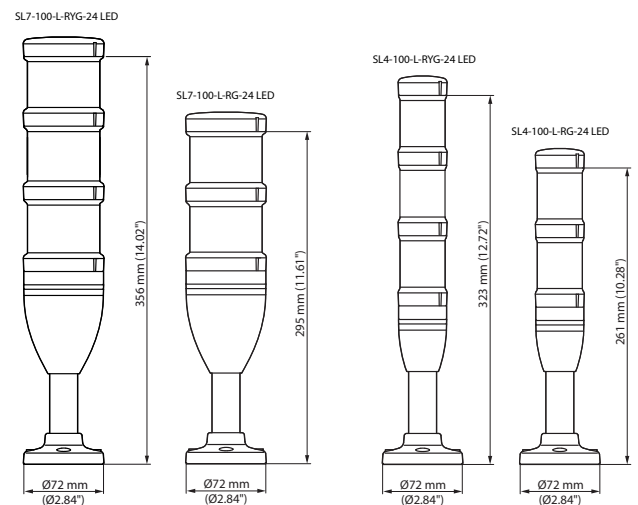
The new SL7 and SL4 signal towers are built around a modular design and cutting-edge LED technology, guaranteeing visibility even in the toughest lighting conditions. The clean and elegant design of the individual elements lends the SL7 and SL4 an unmistakable high-quality appearance.

The variety of mount options give the signal towers adaptability for all types of application.



## Technical Specification

Voltage	24 Vdc , 24 Vac, 110-120 Vac, 230-240 Vac
Signal elements	Max of 5 with standard base Max of 10 wit base mounting both sides
Flash	Flash, steady
Sounder	Continues or pulse
Temperature	-30°C to +60°C
Protection	IP66, IEC / EN 60945-5-1 IEC/EN 60529, UL Type 4, 4X,13
Construction	Polycarbonate (PC)
Weight	0.8 Kg - 1.02 kg
Lens Colour	Red, yellow, amber, green, blue, clear



### Feature

- High-performance LEDs for increased perceptibility
- Sounder module up to 100 dB with up to 8 different signals and adjustable volume levels

### Benefits

- High-performance LEDs ensure high recognition levels even in very bright environments
- Adaptable sounders for a faster response time in the event of failure or maintenance

### Reference

See website for more details

### Catalogue No.

### Description

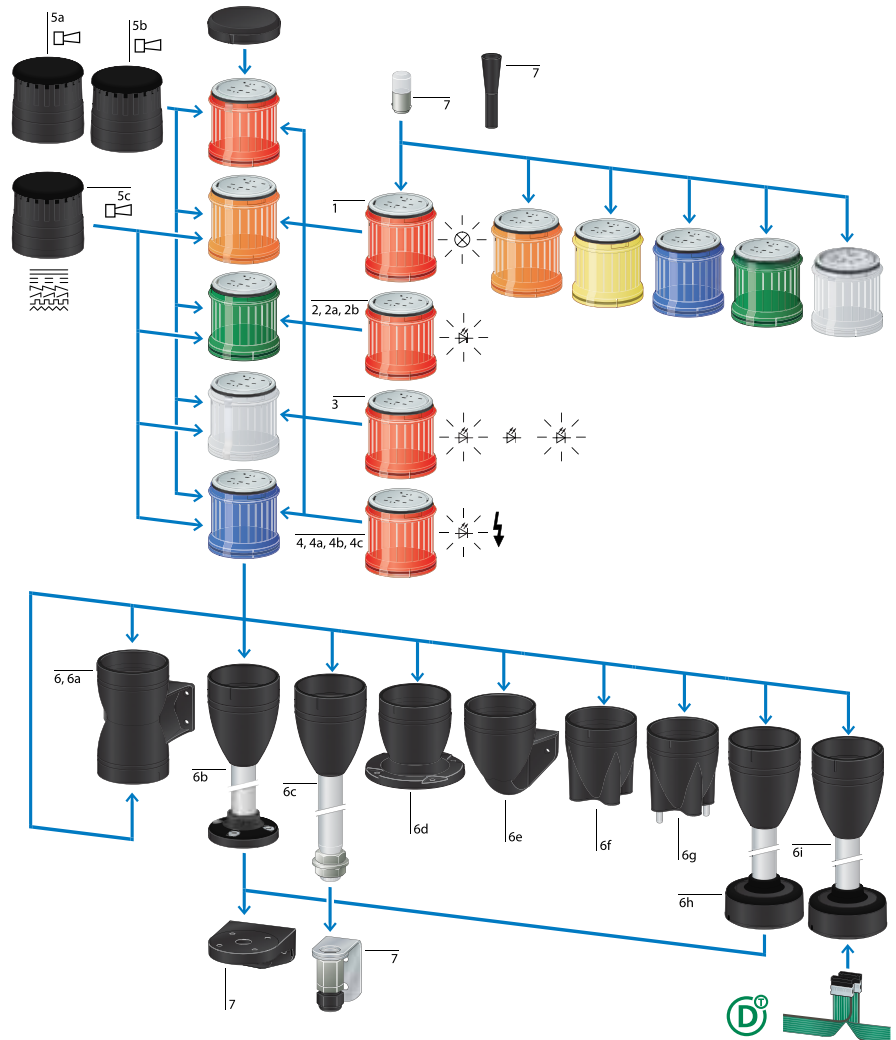
# Signal Towers SL7 and SL4

New assembly system increases mounting and dismantling by up to 50%.



The transportation cover protects cables and terminals.

## System Overview



### Feature

- Compact and pre-assembles units
- Fast mounting system
- Transportation cover

### Benefits

- Increase the flexibility and reduces stock keeping
- Easy to dismantled in one easy motion and without the need for tools. The base and wiring remaining on the machine which removes the risk of error in reconnection.
- Protects against transport damage

### Reference

See website for more details

### Catalogue No.

### Description



# Obstruction Lights

The Cooper Fulleon portfolio has now been extended to include a range of low intensity red Obstructions Lights, that comply with the International Civil Aviation Organisation (ICAO) requirements. The range offers a robust and reliable design, mounted on an anti-vibration base and contains eight strips of 12 LEDs to provide an even 360° horizontal visibility.





# Alpha 1 and Alpha 3 Obstruction Lights

The Alpha Obstruction lights are designed to ICAO (International Civil Aviation Organisation) requirements, characteristics of obstacle lights, low intensity, Based on the BLG anti-vibration mounting housing, the Alpha units contain eight strips of 12 LEDs to provide an even 360° horizontal visibility.

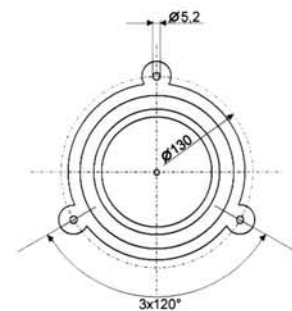
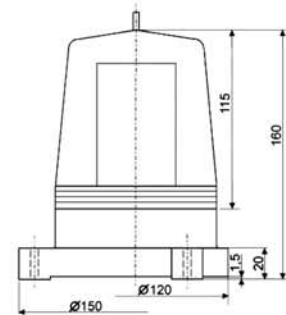
The Alpha 3 differs only in that it is supplied with a right angle mounting bracket and junction box to simplify installation.



## Technical Specification

Voltage	24Vdc 230Vac
Current	800mA @24Vdc 70mA @ 230Vac
Flash rate	Steady
Colour	Red
Temperature	-20°C to +50°C
Protection	IP65
Construction	Lens - polycarbonate base - TPF rubber
Weight	Alpha 1 - 0.45Kg Alpha 3 - 2.2Kg
Colours	Base and bracket* - black

\* Bracket available with the Alpha 3 model only



### Features

- ICAO Annex 14 Compliant
- Exceeds 10cd
- 96 x LED light source
- Integral bracket and junction box (Alpha 3)

### Benefits

- Can be used for CIAO low intensity, type A applications
- Highly visible without glare
- Excellent all round visibility
- Simplifies installation and maintenance

### Reference

OL/A1/LED/RL/RED/24VDC  
 OL/A1/LED/RL/RED/115-230VAC  
 OL/A3/LED/RL/RED/115/230VAC BRKT+JB

### Catalogue No.

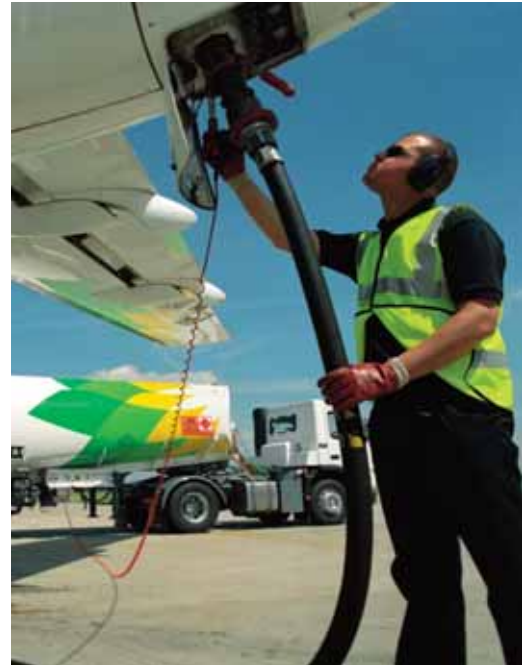
22311302  
 22310702  
 223307020

### Description

Obstacle Light Skyline Alpha 1, 24Vdc, Red Lens  
 Obstacle Light Skyline Alpha 1, 115/230Vac, Red Len  
 Obstacle Light Skyline Alpha 3, 115/230Vac, Red Lens, Mount Bracket + add Connect Box

# Bells

Bells are the oldest of alarm warnings and are still the signal of choice for some applications. With a robust, corrosion proof metal construction, the steel gongs provides a clear harmonic rich signal that can be clearly distinguished above ambient noise. Available in three styles, two sizes and a variety of voltages, they have outputs between 93 and 110dB(A).



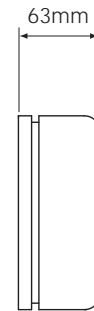
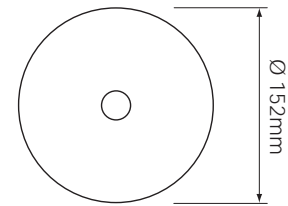
# CF Motorised

Bells still remain a popular choice for many applications. All CF bells incorporate highly efficient rotary centrifugal movements combining high sound output with low current consumption.



## Technical Specification

Voltage	20 - 28Vdc
Current	25mA
Sound Output	95dB(A)
Monitoring	Reverse polarity
Temperature	- 10°C to + 55°C
Protection	IP21C
Construction	Gong -steel, base -polycarbonate
Weight	0.85Kg
Colours	Gong - red Base - black



### Features

- High "ring" output
- Classic design
- Multi-fixing base
- For fire or non fire use

### Benefits

- Clear and easily identified signal
- Familiar format
- Easy to install
- Flexible usage with many applications

Reference  
CFB6D24 RED

Catalogue No.  
521601FULL-1601

Description  
6 Inch Motorised Bell, 24Vdc, Red

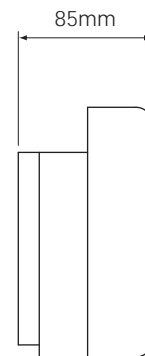
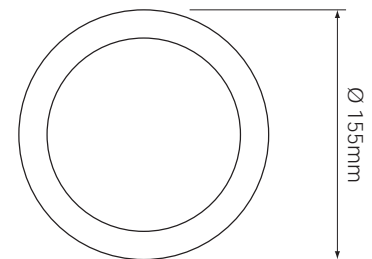
# FB Bell - Electronic Solenoid

A unique, patented alarm bell designed for use in fire, security and other signalling systems. The combination of a miniature solenoid with an integrated control circuit allows excellent sound coverage, minimum current consumption and increased reliability. The improved aesthetics make the bell suitable for all applications including the most prestigious locations.



## Technical Specification

Voltage	12Vdc	24Vdc	230Vac
Current	12 Vdc	55 - 65mA	
	24 Vdc	25 - 35mA	
	230 Vac	20 - 30mA	
Sound Output	93 - 95dB(A)		
Monitoring	Reverse polarity (dc only)		
Temperature	- 25°C to + 70°C		
Protection	IP21C / IP33C (WP)		
Construction	Gong -steel, base - polycarbonate		
Weight	12 Volt	1.1Kg	
	24 Volt	1.1Kg	
	230 Volt	1.2Kg	
Colours	Gong - red	Base - black	



### Features

- Modern design
- Clip together assembly
- Weatherproof kit option
- High "ring" output

### Benefits

- Suitable for all locations
- Easy to fit
- Provides protection up to IP33C for external use
- Easily identified signal

### Reference

FB/12 RED  
 FB/230/RED  
 FB/12/RED/WP  
 FB/24/RED/WP (CPD Certified)  
 FB/230/RED/WP

### Catalogue No.

500001FULL-0001  
 504001FULL-4001  
 500003FULL-0003  
 506001FULL-6001  
 508001FULL-8001

### Description

Electronic Solenoid Bell, 12Vdc, Red  
 Electronic Solenoid Bell, 230Vac, Red  
 Weatherproof Electronic Solenoid Bell, 12Vdc, Red  
 Weatherproof Electronic Solenoid Bell, 24Vdc, Red  
 Weatherproof Electronic Solenoid Bell, 230Vac, Red



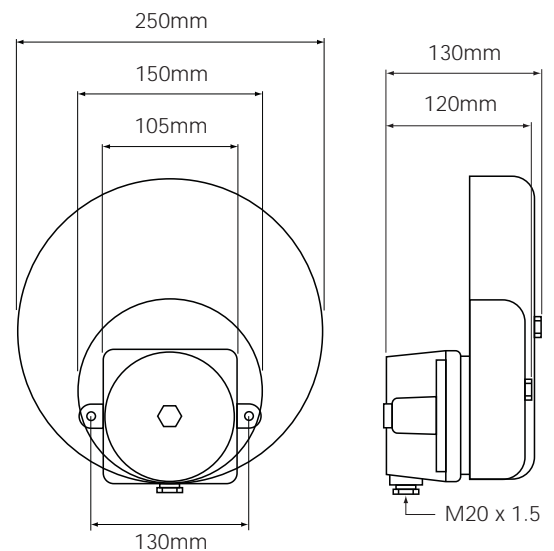
# AW Signalling Bell

Industrial signalling bells with either 150mm (6") or 250mm (10") steel gongs, providing clear harmonic rich signals that can be clearly distinguished above ambient noise.



## Technical Specification

Voltage	24Vdc 230Vac
Current	350mA @ 24V 60mA @ 230Vac
Gong size	150mm dia (6") 250mm dia (8")
Sound output	100dB(A) @ 1m (150mm) 110dB(A) @ 1m (250mm)
Temperature	-20°C to +60°C
Protection	IP55
Construction	Gong -steel base - corrosion resistant aluminium
Weight	1.45Kg - 150mm gong 2.95Kg - 250mm gong
Colours	Base & gong - grey RAL 7032



### Features

- 150mm or 250mm Gong
- 100 to 110dB(A) output
- IP55 protection
- AC or DC versions

### Benefits

- Gong size provides different frequencies to stand out from ambient noise
- High output for industrial applications
- Internal or external use
- Versions to suit most common industrial supplies

### Reference

AWB/150/GR/24VDC  
AWB/150/GR/230VAC  
AWB/250/GR/24VDC  
AWB/250/GR/230VAC

### Catalogue No.

21162113  
21162107  
21162313  
21162307

### Description

Signalling Bell AW 2, 24Vdc, 150 FS  
Signalling Bell AW 1, 230Vac, 150 FS  
Signalling Bell AW 2, 24Vdc, 250 FS  
Signalling Bell AW 1, 230Vac, 250 FS



# Hazardous Area

Many industries have areas in which processes can, from time to time, create potentially explosive atmospheres. In such areas specialist equipment is required to ensure the safety of people and plant. Fulleon offers a range of ATEX compliant products including audible and visual alarms, as well as call points that allow for either intrinsically safe (IS) or flameproof installations.

Both IS and flameproof installations must be undertaken by specialists to ensure that the equipment operates safely.



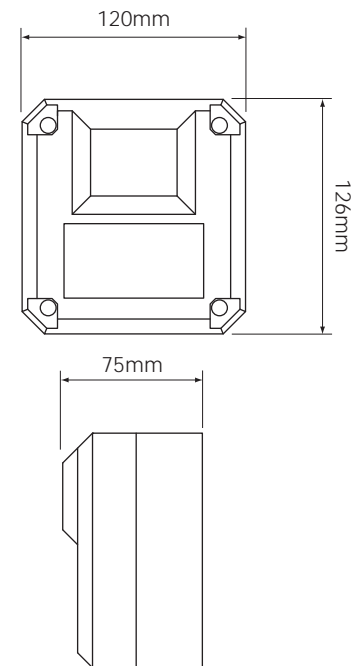
# BG2 - Explosion-proof Manual Call Point

This manual call point has a corrosion resistant GRP body suiting it to the harsh hazardous environments found in both offshore and exposed onshore industrial environments.

**ATEX**

## Technical Specification

Voltage	Up to 250Vac 5A (switch only) Up to 24Vdc (resistor + switch) (Fire use)
Current	5A (switch only)
Temperature	- 20°C to +50°C
Protection	IP66 / 67
Construction	UV stabilised GRP
Weight	1.2Kg
Colour	Red



### Features

- Exed, Zone 1 and Zone 2 use
- IP66/67 protection
- Corrosion resistant
- -20°C to +50°C operating temperature range

### Benefits

- Suitable for explosion protected applications
- Internal or exposed external applications
- Low maintenance
- Can be used in a wide range of harsh environments

### Reference

BG2EDC1NR

BG2EDC3NR 470 671006FULL

### Catalogue No.

PX800004

PX206166

### Description

BG2 Call Point, EExed, Switch Only, No Flap, Painted Red

BG2 Call Point, EExed, 470R Series Resistor, No Flap, Painted Red

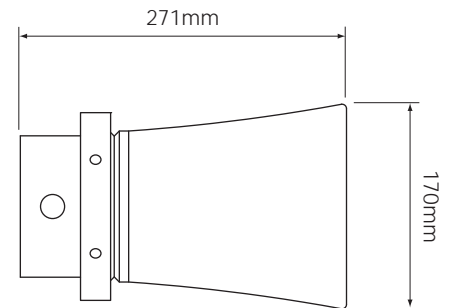
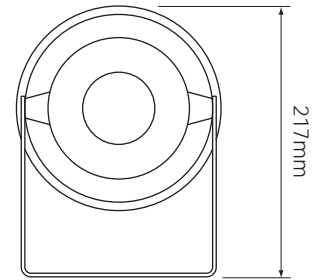
# DB3 - Explosion-proof Sounder

A lightweight flameproof sounder, the DB3 is constructed from corrosion resistant GRP and has been designed with a high level of ingress protection to cope with the harsh conditions typically found in offshore and exposed onshore environments.



## Technical Specification

Voltage	12 to 48Vdc 230Vac
Current	12Vdc - 760mA 24Vdc - 380mA 48Vdc - 190mA 230Vac - 65mA
Sound Output	up to 118dB
Tones	27
Temperature	- 55°C to +70°C
Protection	IP66 / 67
Construction	UV stabilised GRP
Weight	6.0Kg
Colour	Red



### Features

- Exde, Zone 1 and Zone 2 use
- High output up to 118dB(A)
- 27 alarm tones
- IP66/67 protection

### Benefits

- Suitable for explosion protected applications
- Suitable for use in very high ambient noise levels
- User can select a distinctive tone to suit the operating environment
- Internal or exposed external use

### Reference

DB3PD048N2BPNR

### Catalogue No.

PX803123

### Description

DB3P, ATEX ExII 2GD EExd IIC, T5, Zone 1/2, 12-48Vdc, 27 Tones, Two Tones Switchable, 2x20mm Entries, Certified Plug, Red Finish

DB3D048N2BPNR

PX803125

DB3 Sounder, ATEX ExII 2GD EExd IIC, T5, Zone 1/2, 12-48Vdc, 27 Tones, One Tone Selectable, 2x20mm Entries, Certified Plug, Red Finish

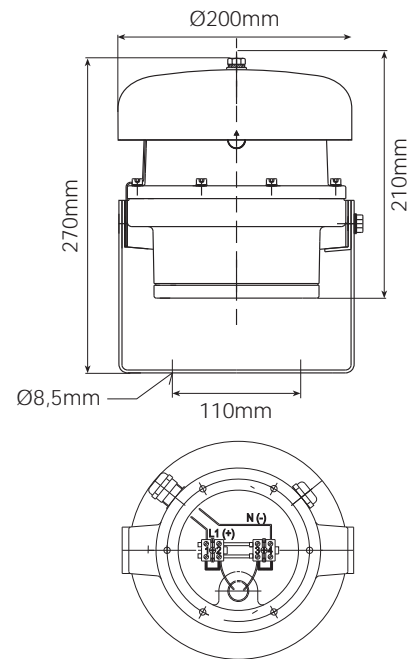
# DGW21 Ex Signalling Bell

With a GRP housing the dGW21 signalling bell is suitable for use in Zones 1 and 2 and 21 and 22. The GRP housing provides weather resistance to IP66 and can be wall or ceiling mounted using the supplied adjustable mounting bracket.

## ATEX GOST

### Technical Specification

Voltage	24Vdc 230Vac
Current	350mA @ 24V 55mA @ 230Vac 50Hz
Gong size	200mm dia (7.9")
Sound output	105dB(A) @ 1m
Temperature	-20°C to +40°C
Protection	IP66
Construction	Gong -steel base - glass reinforced polyester
Weight	3.5Kg
Colours	Base - black gong - grey



### Features

- Exde, Zone 1 and Zone 2 use
- Output up to 105dB(A)
- GRP housing
- IP66 protection

### Benefits

- Suitable for explosion protected applications
- Suitable for use in high ambient noise levels
- Corrosion free low maintenance construction
- Internal or exposed external use

### Reference

HWB/200/GG/BB/24VDC  
HWB/200/GG/BB/230VAC

### Catalogue No.

91024210  
91230110

### Description

Ex Signalling Bell dWG21 ATEX 200mm, Grey Gong, Black Body, 24Vdc  
Ex Signalling Bell dWG21 ATEX 200mm, Grey Gong, Black Body, 230Vac



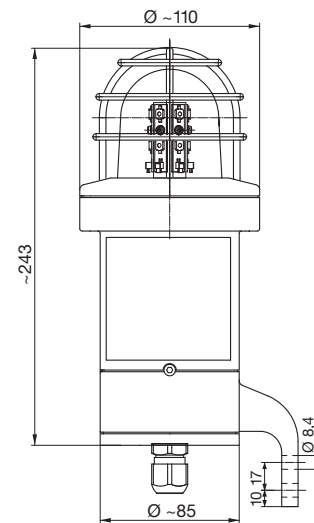
# dSLB - Ex Signalling LED Beacon

New to the market the dSLB is designed to withstand difficult and hazardous conditions. Tested for environments with an explosive atmosphere ATEX as well as Hazardous Locations, Hazardous Areas and Explosive Atmospheres through IECEx, it is the ideal product for any industrial application.



## Technical Specification

Voltage	24Vdc, 80-265 VAC
Current	550mA @ Continues 24VDC 125mA @ Continues 230VAC 190mA @ Continues 120VAC
Flash	Rotate, flash, blink, steady
Light Source	LED
Temperature	-55°C to +55°C
Protection	II 2 G Ex de IIC T6 II 2 D Ex tD A21 IP66 / IP67
Construction	Aluminium, hard glass dome and protective, steel basket
Weight	2.0 Kg
Lens Colour	Red, amber



## Feature

- Housing Seawater resistant aluminium
- Used in hazardous areas of Zone 1 - Gas
- Used in hazardous areas of Zone 21 - Dust
- Flash blinking and rotation

## Benefits

- Internal or external use
- Suitable for use in the harshest of environments
- Long life, low maintenance light source
- High visibility with no glare

## Reference

DSL/LED/YB/RED/24VDC  
DSL/LED/AB/AMBER/24VDC  
DSL/LED/YB/RED/230VDC  
DSL/LED/AB/AMBER/230VDC

## Catalogue No.

F22492202  
F22492203  
F22492402  
F22492403

## Description

Ex LED-Signal Light dSLB20 LED, 24Vdc, Amber Body, Red Lens  
Ex LED-Signal Light dSLB20 LED, 24Vdc, Amber Body, Amber Lens  
Ex LED-Signal Light dSLB20 LED, 80-265Vac, Amber Body, Red Lens  
Ex LED-Signal Light dSLB20 LED, 80-265Vac, Amber Body, Amber Lens



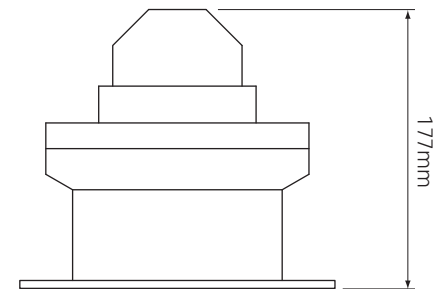
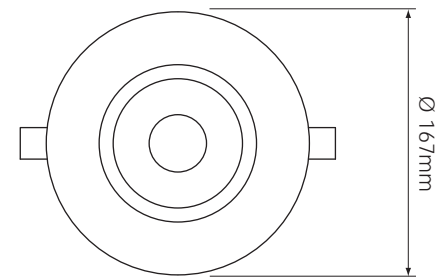
# XB11 - Explosion-proof Xenon Beacon

A rugged flameproof xenon beacon constructed from corrosion resistant plastic, allowing it to cope with the harsh conditions found offshore and exposed onshore environments. The GRP construction and stainless steel back strap results in a lightweight explosion-proof beacon that is simple to install.



## Technical Specification

Voltage	24Vdc 230Vac
Current	320mA @ 24Vdc 60mA @ 230Vac
Flash Power	5j / 1Hz
Temperature	- 55°C to +70°C
Protection	IP66 / 67
Construction	UV stabilised GRP
Weight	2.5Kg
Colour	Red
Lens Colour	Red, amber, green, blue or clear



### Features

- Exd, Zone 1 and Zone 2 use
- 5j xenon beacon
- GRP housing
- -55°C to +70°C operating temperature range

### Benefits

- Suitable for explosion protected applications
- Highly visible flash for a wide range of situations
- Corrosion free low maintenance construction
- Can be used in a wide variety of harsh environments with extremes of temperature

### Reference

XB11B02406RNBNNNN

### Catalogue No.

PX811101

### Description

XB11 Xenon Beacon, ATEX ExII 2GD, EExd IIB, T3-T5, Zone 1/2, 24Vdc, 5 joule, Red Lens, Back Strap Mounting, 2x20mm Entries, Black Body, No Lens Guard

XB11B02406RYBNNNR

PX225105

XB11 Xenon Beacon, ATEX ExII 2GD, EExd IIB, T5, Zone 1/2, 24Vdc, 5 joule, Red Lens, Back Strap Mounting, 2x20mm Entries, Red Body, Lens Guard

XB11B24006RNBNNNN

PX811103

XB11 Xenon Beacon, ATEX ExII 2GD, EExd IIB, T5, Zone 1/2, 240Vac, 5 joule, Red Lens, Back Strap Mounting, 2x20mm entries, Black Body, No Lens Guard

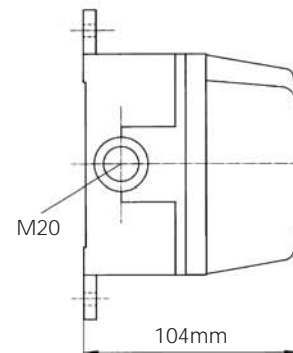
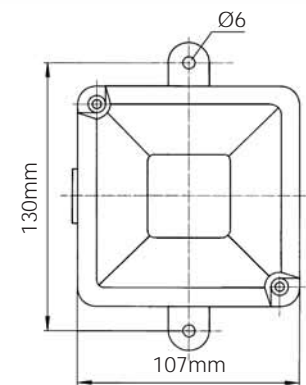
# BDK 22 5j Beacon

A 5j beacon approved for use in Zone 22 dust environments. Giving clear signals the IP54 rating allow for both internal and external use.

## ATEX

### Technical Specification

Voltage	24Vdc 230Vac
Current	300mA @ 24V 70mA@ 230Vac (50Hz)
Flash rate	1Hz
Flash power	5j
Flash colour	Red, amber
Temperature	-20°C to +50°C
Protection	IP54
Construction	Lens - polycarbonate base - seawater proof coated aluminium
Weight	0.7Kg
Colours	Base - grey



### Features

- For use in Zone 22 areas
- 5j flash
- IP54 protection
- Corrosion resistant

### Benefits

- Specially approved for use in hazardous dust environments
- Bright beacon for general signalling
- Can be used internally or externally
- Low maintenance

### Reference

BDK22/5J/X/RL/24VDC

### Catalogue No.

22481402

### Description

ExII-Zone 22 Strobe Light BDK22, 24Vdc, Aluminium Cast Housing, Red Lens

BDK22/5J/X/RL/230VAC

22471202

ExII-Zone 22 Strobe Light BDK22, 230Vac, Aluminium Cast Housing, Red Lens

BDK22/5J/X/RL/230VAC

22471203

ExII-Zone 22 Strobe Light BDK22, 230Vac, Aluminium Cast Housing, Amber Lens

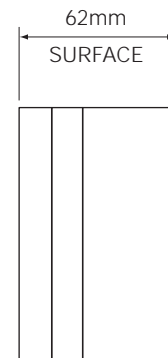
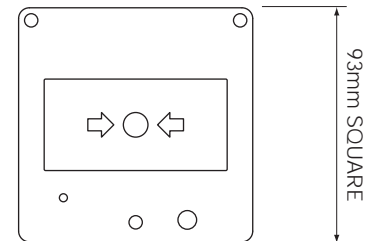
# BG3 - Intrinsically Safe Manual Call Point

This manual call point has a corrosion resistant GRP body suiting it to the harsh hazardous environments found in both offshore and exposed onshore industrial environments.

**ATEX**

## Technical Specification

Voltage	Up to 28Vdc (via a suitable barrier)
Resistor	470R
Temperature	- 55°C to + 55°C
Protection	IP66 / 67
Construction	UV GRP
Weight	0.5Kg
Colour	Red



### Features

- Exia Zone 0, Zone 1 and Zone 2 use
- IP66/67 protection
- Corrosion resistant
- -55°C to +55°C operating temperature range

### Benefits

- Suitable for intrinsically safe applications where Zone 0, 1 or 2 conditions exist.
- Internal or exposed external applications
- Low maintenance
- Can be used in harsh environments with extremes of temperatures

### Reference

BG311NBB

BG311NBR

BG314NBR FULL

### Catalogue No.

PX23300125

PX800007

PX23300109

### Description

Contact Customer Services For More Information

BG3 Call Point, ATEX ExII 1G EExia T4 Zone 0/1/2 , Switch Only, 2x20mm Entries, Red Finish, "Burning House" Label

BG3 Call Point, ATEX ExII 1G, EExia, T4, Zone 0/1/2, Switch Only, 2x20mm Entries, Blue Finish, Glass With "Dot and Arrows" Label

# DB5 - Intrinsically Safe Sounder

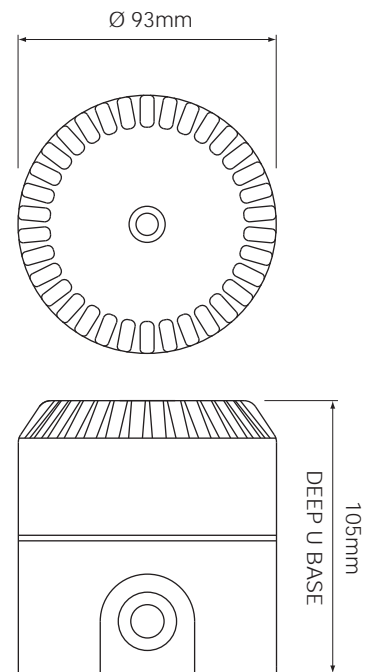
A compact lightweight alarm sounder for use with intrinsically safe circuits. The DB5 has been designed for maximum acoustic efficiency and low current consumption.

As the product is intrinsically safe it must be used with an appropriate barrier or isolator.



## Technical Specification

Voltage	24Vdc (nominal via suitable barrier)
Current	14mA max
Sound Output	100dB max (tone dependant)
Tones	26 (user selectable)
Temperature	- 20°C to + 55°C
Protection	IP65
Construction	ABS
Weight	0.3Kg
Colour	Red



### Features

- Exia, Zone 0, Zone 1 and Zone 2 use
- 26 alarm tones
- Corrosion resistant ABS construction
- -20°C to + 50°C operating temperature range

### Benefits

- Suitable for intrinsically safe applications where zone 0, 1 or 2 conditions exist.
- User can select a distinctive tone to suit local operating conditions
- Low maintenance
- Suitable for a wide range of industrial environments

### Reference

DB5B024NR 546001FULL

### Catalogue No.

PX895002

### Description

DB5 Sounder, ATEX ExII 1G, Exia T4, Zone 0/1/2, 24Vdc, Red

# DB7 - Intrinsically Safe Sounder

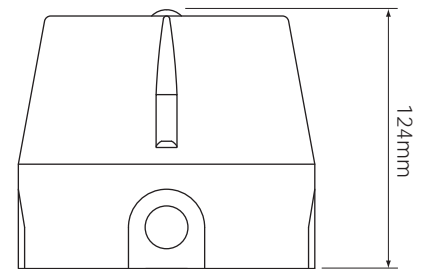
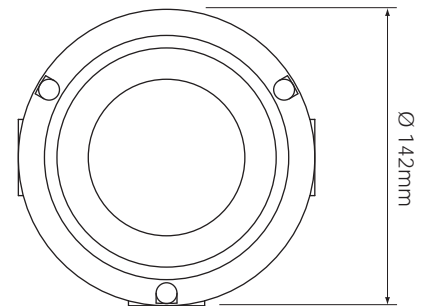
A high output alarm sounder for use with intrinsically safe circuits. The DB7 has been designed for maximum acoustic efficiency and low current consumption combined with very high levels of weather resistance. A second alarm tone can be selected by reversing the supply polarity.

As the product is intrinsically safe it must be used with an appropriate barrier or isolator.

## ATEX GOST

### Technical Specification

Voltage	24Vdc (nominal via suitable barrier)
Current	34mA nominal
Sound Output	103dB max (tone dependant)
Tones	27 (user selectable)
Temperature	- 55°C to +70°C
Protection	IP66 / 67
Construction	UV stabilised GRP
Weight	1.0Kg
Colour	Red



### Features

- Exia, Zone 0, Zone 1 and Zone 2 use
- 27 alarm tones
- GRP housing
- -55°C to + 70°C operating temperature range

### Benefits

- Suitable for intrinsically safe applications where Zone 0, 1 or 2 conditions exist.
- User can select a distinctive tone to suit local operating conditions
- Corrosion free low maintenance
- Can be used in harsh environments with extremes of temperature

Reference  
PX212814

Catalogue No.  
DB7PBB024NR

### Description

DB7P Sounder, ATEX Ex II 1G, EExia IIB T4, Zone 0/1/2. 24Vdc, 3 x 20mm Knockouts, 27 Tones, Red Finish, IP66/67



# XB8 - Intrinsically Safe Xenon Beacon

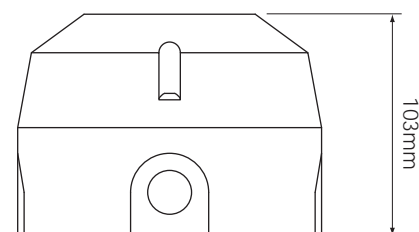
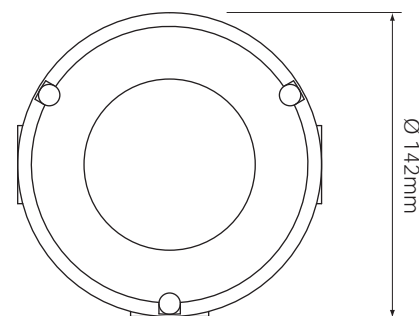
A rugged intrinsically safe xenon beacon constructed from corrosion resistant plastic, allowing it to cope with the harsh conditions found offshore and exposed onshore environments.

The product must be used with an appropriate IS barrier or isolator

**ATEX IECEx GOST**

## Technical Specification

Voltage	24Vdc (nominal via suitable barrier)
Current	55mA max
Flash Power	0.4j / 1Hz
Temperature	- 55°C to + 60°C
Protection	IP66 / 67
Construction	UV stabilised GRP
Weight	1.4Kg
Colour	Red
Lens Colour	Red, amber or clear



### Features

- Exia, Zone 0, Zone 1 and Zone 2 use
- Xenon beacon
- GRP/Polycarbonate housing
- -55°C to + 60°C operating temperature range

### Benefits

- Suitable for intrinsically safe applications where Zone 0, 1 or 2 conditions exist
- Low power xenon flash to suit the power restrictions of IS operation
- Corrosion free low maintenance construction
- Can be used in a wide variety of harsh environments with extremes of temperature

### Reference

XB8BC024CNR 673104FULL

### Catalogue No.

PX213010

### Description

XB8 Xenon Beacon, ATEX ExII 1G, Exia IIC, T4, Zone 0/1/2, 24Vdc, 0.5 joules, Clear Lens, Red Finish

XB8BC024SNR S=AMBER

PX213009

XB8 Xenon Beacon, ATEX ExII 1G, Exia IIC, T4, Zone 0/1/2, 24Vdc, 0.5 joules, Amber Lens, Red Finish

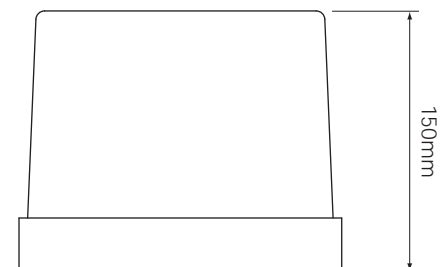
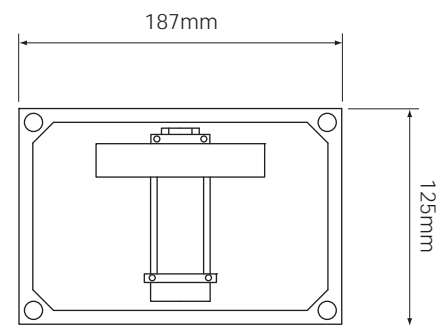
# Barriers and Isolators - Intrinsically safe

Intrinsically safe (IS) systems provide safe operation of equipment in hazardous areas by limiting the amount of electrical energy in the circuit to levels where a fault cannot cause a spark that would ignite any explosive atmosphere that could be present. For an IS system to operate correctly, both the barrier or isolator and the devices in the hazardous area must be approved and designed to work together.

## ATEX

### Technical Specification

Barriers and Isolators both provide power limitations on an intrinsically safe circuit, but work in different ways. Barriers are the simpler, but require secure connections to a dedicated IS earth point. Isolators use more complex electronics but can operate earth-free and are more tolerant of supply voltage. Both Barriers and Isolators must be mounted in the safe area, but as close as possible to the hazardous area.



	ALARM PRODUCT			
	BG3 CALL POINT	DB5 SOUNDER	DB7 SOUNDER	XB8 BEACON
Matching galvanic Isolator	MTL5561	MTL5525	MTL5525	MTL5525
Number of circuits	2	1	1	1
Products per circuit	10	1	1	1
Maximum supply	35Vdc	35Vdc	35Vdc	35Vdc
Isolators per DX070 enclosure	4	4	4	4
Matching shunt barrier	MTL7787+	MTL7787+	MTL7787+	MTL7787P+
Number of circuits	1	1	1	1
Products per circuit	10	1	1	1
Maximum supply	26.8Vdc	26.8Vdc	26.8Vdc	26.8Vdc
Barriers per DX070 enclosure	5	5	5	5

### Features

- Isolators and barriers
- IP65 protection
- Multiple products per enclosure
- 24Vdc operation

### Benefits

- Matching range of MTL isolators and barriers to suit range of IS products
- Enclosure can be used in most safe area environments
- 4 isolators or 5 barriers can be fitted into the enclosure saving installation
- 24Vdc systems to suit standard fire system operation

### Reference

MTL5525  
MTL5561  
MTL7787+  
MTL7787P+  
DX070

### Catalogue No.

MTL5525  
MTL5561  
MTL7787+  
MTL7787P+  
DX070

### Description

Isolating Interface & Housing to suit DB5 / DB7 / XB8  
Isolating Interface & Housing to suit BG3 Call Point (2 Channel)  
Shunt Diode Barrier & Housing to suit BG3I / DB5 / DB7  
Shunt Diode Barrier & Housing to suit XB8  
DIN Rail Enclosure for Isolators and Barriers

# Part numbers

PRODUCT NAME	PAGE	PRODUCT REFERENCE	CATALOGUE NUMBER	DESCRIPTION
<b>SOUNDERS</b>				
<b>ASSERTA MAXI SOUNDER</b>	6	AS/S/115-230/R/110	7013114FUL-0013	Asserta Sounder, 115/230Vac, Red, 110dB
		AS/S/115-230/R/120	7013124FUL-0014	Asserta Sounder, 115/230Vac, Red 120dB
		AS/S/115-230G/120	7092274FUL-0151	Asserta Sounder, 115/230Vac, Grey 120dB
		AS/S/24/110/R	7011114FUL-0011X	Asserta Sounder, 24Vdc, Red, 110dB
		AS/S/24/G/110	7011214FUL-0044	Asserta Sounder, 24Vdc, Grey, 110dB
		AS/S/24/120/R	7011124FUL-0012X	Asserta Sounder, 24Vdc, Red, 120dB
<b>ASSERTA MIDI SOUNDER</b>	7	AS/M/S/9-60V/R	7041134FUL-0020X	Asserta Midi Sounder, Red, 9 to 60Vdc
		AS/M/S/9-60/G	7041214FUL-0176X	Asserta Midi Sounder, Grey, 9 to 60Vdc
		AS/M/S/115/230/R	7042134FUL-0023	Asserta Midi Sounder, Red, 115Vac/230Vac
		AS/M/S/115-230/G	7092267FUL-0144	Asserta Midi Sounder, Grey, 115Vac/230Vac
		AS/M/S/24VAC/R	7044134FUL-0022	Asserta Midi Sounder, Red, 24Vac (24Vdc polarity reversal tone select)
<b>ASSERTA MINI SOUNDER</b>	8	AS/N/S/9-60V/R	7061154FUL-0105	Asserta Mini Sounder, Red, 9 to 60Vdc
		AS/N/S/9-60V/G	7092269FUL-0146	Asserta Mini Sounder, Grey, 9 to 60Vdc
		AS/N/110-230/R	7063134FULL-0155	Asserta Mini Sounder, Red, 110 to 230Vac
		AS/N/SV/S/110-230V/G	7092268FUL-0145	Asserta Mini Sounder, Grey, 110 to 230Vac
		AS/M/S/115-230/G	7092267FUL-0144	Asserta Mini Sounder, Grey, 115 to 230Vac
AS/S/115-230/G/120	7092274FUL-0151	Asserta Mini Sounder, Grey, 115 to 230Vac		
<b>ASKARI PANEL</b>	9	AP/W/S/VC	560002FULL-0072	Askari Panel Mounting Sounder, White, Tone select switch, Volume control
		AP/R/S VC	560013FULL-0021	Askari Panel Mounting Sounder, Red, Tone select switch, Volume control
		AP/SV/W/S/VC/24VAC	562002FULL-0076	Askari Panel, 24V, White Base, Switch, Volume control
<b>ASKARI FLANGE</b>	10	AF/R/S/VC	570033FULL-0058	Askari Flange Mounting Sounder, Red, Tone select switch, Volume control
		AF/W/S/VC	570011FULL-0054	Askari Flange Mounting Sounder, White, Tone select switch, Volume control
<b>RoLP</b>	11	ROLP/SV/R/S	540501FULL-0389X	RoLP, Shallow Base, Red
		ROLP/SV/W/S	540502FULL-0406X	RoLP, Shallow Base, White
		ROLP/SV/R/D	540503FULL-0403X	RoLP, Deep Base, Red
		ROLP/SV/W/D	540504FULL-0410X	RoLP, Deep Base, White
		ROLP/SV/R/U	540505FULL-0390X	RoLP, U - Base, Red
		ROLP/SV/W/U	540506FULL-0441	RoLP, U - Base, White
		ROLP/SV/R/D + MAINS MODULE	547026FULL-0810	RoLP, Deep Base, Red + mains module
		ROLP/SV/W/D + MAINS MODULE	547027FULL-0811	RoLP, White Deep Base + Mains Module
		AV/W ROLP/SV/R SO/R/RL/10C + MAINS MOD	539993FULL-1046	RoLP Combi, Mains, Red Base, Red Lens
		AV/W ROLP/SV/R SO/R/AL/10C + MAINS MOD	539994FULL-1047	RoLP Combi, Mains, Red Base, Amber Lens
		AV/ROLP/SV/W SO/W/AL/10C	539995FULL-1083	RoLP Combi, White Base, Amber Lens
<b>SOUNDERS &amp; BEACONS</b>				
<b>ASSERTA MAXI SOUNDER BEACON</b>	14	AS/SB/24/120/R/RL	7021121FUL-0004X	Asserta Sounder/Beacon, 24Vdc, Red, 120dB, Red Lens
		AS/SB/24/120/R/AL	7021122FUL-0113X	Asserta Sounder/Beacon, 24Vdc, Red, 120dB, Amber Lens
		AS/SB/024/G/120/AL	7092275FUL-0152X	Asserta Sounder/Beacon 24Vdc, Grey, 120dB, Amber Lens
		AS/SB/024/R/110/RL	7021111FUL-0003X	Asserta Sounder/Beacon 24Vdc, Red, 110dB, Red Lens
		AS/SB/24/110/R/AL	7021112FUL-0188X	Asserta Sounder/Beacon, 24Vdc, Red 110dB, Amber Lens
		AS/SB/230/R/120/RL	7022121FUL-0006	Asserta Sounder/Beacon 230Vac, Red 120dB Red Lens
		AS/SB/230/R/120/AL	7022122FUL-0114	Asserta Sounder/Beacon, 230Vac, Red, 120dB, Amber Lens
		AS/SB/230/G/120/AL	7092276FUL-0153	Asserta Sounder/Beacon 230Vac, Grey 120dB Amber Lens
		AS/SB/230/R/110/RL	7022111FUL-0005	Asserta Sounder/Beacon 230Vac, Red 110dB Red Lens

# Part numbers

PRODUCT NAME	PAGE	PRODUCT REFERENCE	CATALOGUE NUMBER	DESCRIPTION		
<b>SOUNDERS &amp; BEACONS</b>						
<b>ASSERTA MIDI SOUNDER BEACON</b>	15	AS/M/SB/9-60V/R/RL	7051111FUL-0128X	Asserta MIDI Sounder-Beacon, 9 to 60Vdc, Red, Red lens		
		AS/M/SB/9-60/G/AL	7051212FUL-0015X	Asserta MIDI Sounder-Beacon, 9 to 60Vdc, Grey, Amber lens		
		AS/M/SB/230/R/RL	7052111FUL-0130	Asserta MIDI Sounder-Beacon 230Vac, Red, Red Lens		
		AS/M/SB/115V/R/AL	7092266FUL-0142	Asserta MIDI Sounder-Beacon 115Vac, Grey, Amber Lens		
		AS/M/SB/9-60/G/AL	7051212FUL-0015	Asserta Midi Sounder/Beacon, 9 to 60Vdc, Grey, Amber Lens		
		AS/M/SB/9-60/R/CL	7052113FULL-0202X	Asserta Midi, Sounder/Beacon, 9 to 60Vdc, Red, Clear Lens		
		FULLEON STANDARD				
		AS/M/SB/9-60V/R/AL	7052114FULL-0143X	Asserta Midi, Sounder/Beacon, 9 to 60Vdc, Red, Amber Lens		
		AS/M/SB/230/R/AL	7052212FUL-0116	Asserta Midi, Sounder/Beacon, 230Vac, Red, Amber Lens		
		AS/M/SB/230/R/CL	7052213FUL-0125	Asserta Mini Sounder/Beacon, 230Vac, Red, Clear Lens		
		AS/M/SB/115V/R/RL	7054111FUL-0046	Asserta Midi, Sounder/Beacon, 115Vac, Red, Red Lens		
		AS/M/SB/9-60V/R/BL CPD	7092264FUL-0141X	Asserta Midi, Sounder/Beacon, 9 to 60Vdc, Red, Blue Lens		
		AS/M/SB/115/G/AL	7092287FULL-0194	Asserta Midi, Sounder/Beacon, 115Vac, Grey Base, Amber Lens		
		ASSERTA MIDI RED LENS PK 5	7092291FULL-0237	Asserta Midi, Red Lens (Pack of 5)		
		ASSERTA MIDI BLUE LENS PK 5	7092292FULL-0238	Asserta Midi, Blue Lens (Pack of 5)		
		ASSERTA MIDI CLEAR LENS PK 5	7092293FULL-0239	Asserta Midi, Clear Lens (Pack of 5)		
		ASSERTA MIDI AMBER LENS PK 5	7092294FULL-0240	Asserta Midi, Amber Lens (Pack of 5)		
		AS/M/SB/9-60/G/RL CPD	7092281FUL-0181X	Asserta Midi Sounder/Beacon, 9 to 60, Grey, Red Lens		
		AS/M/SB/230/G/AL	7092283FUL-0186	Asserta Mini Sounder/Beacon, 230Vac, Grey, Red Lens		
		<b>ASSERTA MINI SOUNDER BEACON</b>	16	AS/N/SB/115-230V/R/RL	7062154FUL-0106	Asserta Mini Sounder/Beacon, 115/230Vac, Red, Red Lens
				AS/N/SB/9-60V/R/RL	7071152FUL-0117	Asserta Mini Sounder-Beacon, 9 to 60Vdc, Red, Red Lens
				ASSERTA MINI RED LENS PK 5	599004FULL-0312	Asserta Mini, Red Lens (pack of 5)
				ASSERTA MINI AMBER LENS PK 5	599005FULL-0313	Asserta Mini, Amber Lens (Pack of 5)
ASSERTA MINI BLUE LENS PK 5	599006FULL-0314			Asserta Mini, Blue Lens (pack of 5)		
ASSERTA MINI CLEAR LENS PK 5	599022FULL-0341			Asserta Mini, Clear Lens (pack of 5)		
AS/N/SV/SB/9-60V/G/AL	7092270FUL-0147			Asserta Mini Sounder/Beacon, 9 to 60Vdc, Grey, Amber Lens		
AS/N/SB/115-230V/G/AL	7092271FUL-0148			Asserta Mini Sounder/Beacon, 115/230Vac, Grey, Amber Lens		
AS/N/SV/SB/9-60/R/AL	7092277FUL-0164			Asserta Mini Sounder/Beacon, 9 to 60Vdc, Red Base, Amber Lens		
AS/N/SB/115-230/R/AL	7092278FUL-0166			Asserta Mini Sounder/Beacon, 115/230Vac, Red, Amber Lens		
AS/N/SV/SB/9-60/G/RL	7092279FUL-0167			Asserta Mini Sounder/Beacon, 9 to 60, Grey, Red Lens		
AS/N/SB/110-230/G/BL	7092284FUL-0191			Asserta Mini Sounder/Beacon, 115/230Vac, Grey, Blue Lens		
AS/N/SB/115-230V/R/BL	7092286FUL-0193			Asserta Mini Sounder/Beacon, Mains, Red, Blue Lens		
AS/N/SV/SB/9-60/G/CL	7092288FULL-0227			Asserta Mini AV Sounder/Beacon, 9 to 60Vdc, Grey, Clear Lens		
AS/N/SV/SB/9-60V/G/BL	7092289FUL-0233			Asserta Mini AV Sounder/Beacon, 9 to 60Vdc, Grey, Blue Lens		
<b>FLASHNI</b>	17			FL/RL/R/S SWITCH	640025FULL-0061X	Flashni Sounder/Beacon, Red lens, Red body, Shallow base, Tone select switch.
				FL/RL/R/D SWITCH	640031FULL-0111X	Flashni Sounder/Beacon, Red lens, Red body, Deep base, Tone select switch.
		FL/AL/W/D SWITCH	640024FULL-0060X	Flashni Sounder/Beacon, Amber lens, White body, Deep base, Tone select switch		
		FL/RL/W/D SEPARATE SWITCH	640451FULL-0208X	Flashni Sounder/Beacon, Red Lens, White body, Deep base, Tone select switch, Separate conns for sounder and beacon		
		FL/AL/R/D SEPARATE SWITCH	640454FULL-0296X	Flashni Sounder/Beacon, Amber Lens, Red body, Deep base, Tone select switch, Separate conns for sounder and beacon		
		FL/AL/W/D 12V SND5	640054FULL-0147X	Flashni 12V Sounder/Beacon, Amber lens, White body, Deep base, tone 5		
		FL/CL/W/D 12V SND5	640206FULL-0089	Flashni 12V Sounder/Beacon, Clear lens, White body, Deep base, tone 5		
		FL/BL/W/D 12V SND5	640203FULL-0068	Flashni 12V Sounder/Beacon, Blue lens, White body, Deep base, tone 5		
		FL/AL/R/D FLASHNI	640011FULL-0010	Flashni XE, Deep Base, Red Base		
		FL/AL/W/D	640012FULL-0033X	Flashni XE, Deep Base, White Base, Amber Lens		
		FL/BL/R/S	640013FULL-0035	Flashni XE, Shallow Base, Red Base, Blue Lens		
		FL/BL/W/S	640014FULL-0029	Flashni XE, Shallow Base, White Base, Blue Lens		
		FL/BL/R/D CPD VERSION	640015FULL-0046X	Flashni XE, Deep Base, Red Base, Blue Lens		
		FL/BL/W/D 24V	640016FULL-0011	Flashni XE, Deep Base, 24Vdc, White Base, Blue Lens		
		FL/CL/W/S SWITCH	640034FULL-0259	Flashni XE, Shallow Base, White Base, Clear Lens, Switch		
		FL/CL/W/S/24V/SEPERATE	640105FULL-0260X	Flashni XE, Shallow Base, 24Vdc, White Base, Clear Lens, Separate		
		FL/CL/R/D/SEPERATE/SWITCH	640466FULL-0282	Flashni XE, Deep Base, Red Base, Clear Lens, Separate		

# Part numbers

PRODUCT NAME	PAGE	PRODUCT REFERENCE	CATALOGUE NUMBER	DESCRIPTION
<b>SOUNDERS &amp; BEACONS</b>				
<b>RoLP MAXI SOLISTA</b>	18	ROLPX/SB/RL/R/S	8210119FULL-0001	RoLP Maxi Sounder Beacon, Red LED Beacon, Red body, Shallow base
		ROLPX/SB/RL/R/D	8210130FULL-0002	RoLP Maxi Sounder Beacon, Amber lens, White body, Deep base
		ROLPX/SB/RL/R/U	8210121FULL-0003	RoLP Maxi Sounder Beacon, Red LED Beacon, Red Body, U Base
<b>SOLISTA MAXI</b>	19	SOLX/RF/RL/R/S	811021FULL-0037	Solista Maxi, Red Flash, Red Lens, Red Body, Shallow Base
		SOLX/RF/RL/R/D	811020FULL-0036	Solista Maxi, Red Flash, Red Lens, Red Body, Deep Base
		SOLX/AF/CL/W/S	811026FULL-0043	Solista Maxi, Red Flash, Clear Lens, White Body, Shallow Base
		SOLX/AF/CL/W/D	811027FULL-0044	Solista Maxi, Red Flash, Red Lens, White Body, Deep Base
		SOLX/GF/CL/W/S	811029FULL-0046	Solista Maxi, Green Flash, Clear Lens, White Body, Shallow Base
		SOLX/GF/CL/W/D	811030FULL-0047	Solista Maxi, Green Flash, Red Lens, White Body, Deep Base
		SOLX/BF/CL/W/S	811035FULL-0052	Solista Maxi, Blue Flash, Clear Lens, White Body, Shallow Base
		SOLX/BF/CL/W/D	811036FULL-0053	Solista Maxi, Blue Flash, Red Lens, White Body, Deep Base
		SOLX/AF/CL/R/S	811042FULL-0007	Solista Maxi, Amber Flash, Clear Lens, Red Body, Shallow Base
		SOLX/GF/CL/R/S	811043FULL-0008	Solista Maxi, Green Flash, Clear Lens, Red Body, Deep Base
		SOLX/BF/CL/R/S	811045FULL-0010	Solista Maxi, Blue Flash, Clear Lens, Red Body, Deep Base
		SOLX/AF/CL/R/D + MAINS MODULE	811057FULL-0082	Solista Maxi, Amber Flash, Clear Lens, Red Body, Deep Base + Mains mod
<b>SOLEX XENON</b>	20	SO/R/SR/3	531025FULL-0061	Solex Beacon, Red Lens, Red Shallow Base, 3Cd
		SO/R/DR/3	531025FULL-0087	Solex Beacon, Red Lens, Red Deep Base, 3Cd
		SO/A/SW/3	531026FULL-0062	Solex Beacon, Amber Lens, White Shallow Base, 3Cd
		SO/A/DW/3	531026FULL-0086	Solex Beacon, Amber Lens, White Deep Base, 3Cd
		SO/R/SR/10	531024FULL-0060	Solex Beacon, Red Lens, Red Shallow Base, 10Cd
		SO/R/DR/10	531024FULL-0088	Solex Beacon, Red Lens, Red Deep Base, 10Cd
		SO/A/SW/10	531027FULL-0063	Solex Beacon, Amber Lens, White Shallow Base, 10Cd
		SO/A/DW/10	531027FULL-0085	Solex Beacon, Amber Lens, White Deep Base, 10Cd
		SO/R/SR/15	531028FULL-0064	Solex Beacon, Red Lens, Red Shallow Base, 15Cd
		SO/R/DR/15	531028FULL-0111	Solex Beacon, Red Lens, Red Deep Base, 15Cd
		SO/A/SW/15	531029FULL-0065	Solex Beacon, Amber Lens, White Shallow Base, 15Cd
		SO/A/DW/15	531029FULL-0112	Solex Beacon, Amber Lens, White Deep Base, 15Cd
		SO/A/SW/10/AT	531044FULL-0077	Solex Beacon, Amber Lens, White Shallow Base, 10Cd Anti-tamper
		SO/R/SW/10/AT	531043FULL-0076	Solex Beacon, Red Lens, Red Shallow Base, 10Cd Anti-tamper
		SO/LENS/R PK5	590200FULL-0300	Pack of 5 Red Solex lenses
		SO/LENS/A PK5	590201FULL-0301	Pack of 5 Amber Solex Lenses
		SO/LENS/C PK5	590202FULL-0302	Pack of 5 Clear Solex Lenses
		SO/LENS/B PK5	590203FULL-0303	Pack of 5 Blue Solex Lenses
		SO/LENS/G PK5	590204FULL-0304	Pack of 5 Green Solex Lenses
		SO/R/DR/10	531924MED-1081	Solex Beacon, Red Lens, Red Deep Base, 10Cd
		SO/R/DR/15	531028MED-1082	Solex beacon, Red Lens, Red Deep Base, 15Cd
		SO/R/SW/10C	531024FULL-0008	Solex Xenon, Shallow Base, White Base, Red Lens, 10C
		SO/R/UR/10C	531024FULL-0083	Solex Xenon, U Base, Red Base, Red Lens, 10C
		SO/R/DR/10C + MAINS MOD	531024FULL-1049	Solex Xenon, Deep Base, Red Base, Red Lens, 10C + Mains module
		SO/R/DW/10C NF	531024FULL-1109	Solex Xenon, Deep Base, White Base, Red Lens, 10C
		SO/R/UR/3C	531025FULL-0084	Solex Xenon, 'U' Red Base, Red Lens, 3C
		SO/R/NB/3C	531025FULL-1052	Solex Xenon, No Base, Red Base, Red Lens, 3C
		SO/A/NB/3C	531026FULL-1053	Solex Xenon, No Base, White Base, Amber Lens, 3C
		SO/A/UW/10C	531027FULL-0101	Solex Xenon, U Base, White Base, Amber Lens, 10C
		SO/A/DW/10C + MAINS MOD	531027FULL-1048	Solex Xenon, Deep Base, White Base, Amber Lens, 10C + Mains module
		SO/R/UR/15C	531028FULL-0131	Solex Xenon, U Base, Red Base, Red Lens, 15C
		SO/R/DW/15C NF	531028FULL-1111	Solex Xenon, Deep White Base, Red Lens 15C
		SO/B/SW/10C	531034FULL-0071	Solex Xenon, Shallow Base, White Base, Blue Lens, 10C
		SO/B/DW/10C	531034FULL-0090	Solex Xenon, Deep Base, White Base, Blue Lens, 10C
		SO/G/SW/10C	531035FULL-0072	Solex Xenon, Shallow Base, White Base, Green Lens, 10C
		SO/G/DW/10C	531035FULL-0091	Solex Xenon, Deep Base, White Base, Green Lens, 10C
		SO/C/SW/15C	531036FULL-0073	Solex Xenon, Shallow Base, White Base, Clear Lens, 15C
		SO/C/DW/15C	531036FULL-0113	Solex Xenon, Deep Base, White Base, Clear Lens, 15C



# Part numbers

PRODUCT NAME	PAGE	PRODUCT REFERENCE	CATALOGUE NUMBER	DESCRIPTION
<b>SOUNDERS &amp; BEACONS</b>				
<b>SOLEX XENON (continued)</b>				
	20	SO/C/DW/15C NF	531036FULL-1112	Solex Xenon, Deep White Base, Clear Lens, 15C
		SO/B/SW/15C	531037FULL-0074	Solex Xenon, Shallow Base, White Base, 15C
		SO/B/DW/15C	531037FULL-0114	Solex Xenon, Deep Base, White Base, Blue Lens, 15C
		SO/B/UW/15C	531037FULL-0134	Solex Xenon, U Base, White Base, Blue Lens, 15C
		SO/G/SW/15C	531038FULL-0075	Solex Xenon, Shallow Base, White Base, Green Lens, 15C
		SO/G/DW/15C	531038FULL-0115	Solex Xenon, Deep Base, White Base, Green Lens, 15C
		SO/C/SW/3C	531039FULL-0067	Solex Xenon, Shallow Base, White Base, Clear Lens, 3C
		SO/C/DW/3C	531039FULL-0110	Solex Xenon, Deep White Base, Clear Lens, 3C
		SO/B/SW/3C	531040FULL-0068	Solex Xenon, Shallow Base, White Base, Blue Lens, 3C
		SO/B/DW/3C	531040FULL-0089	Solex Xenon, Deep Base, White Base, Blue Lens, 3C
		SO/G/SW/3C	531041FULL-0069	Solex Xenon, Shallow Base, White Base Green Lens 3C
		SO/G/DW/3C	531041FULL-0092	Solex Xenon, Deep Base, White Base, Green Lens, 3C
		SO/C/SW/10C	531042FULL-0070	Solex beacon, Clear lens, White Shallow base, 10C
		SO/C/DW/10C	531042FULL-0093	Solex Xenon, Deep Base, White Base, Clear Lens, 10C
		SO/C/UW/10C	531042FULL-0124	Solex Xenon U Base, White Base, Clear Lens, 10C
		SO/B/DW/10C + MAINS MOD TCM	531051FULL-1051	Solex Xenon, Deep Base, Mains, White Base, Blue Lens, 10C + mains mod
<b>ASSERTA BEACON</b>				
	21	AS/B/230/RL	7032131FUL-0002	Asserta Beacon Stand Alone 230Vac, Red Lens
		AS/B/24/RL FULLEON STANDARD	7031131FUL-0001	Asserta Beacon, 24Vdc, Red Lens
		AS/B/24/BL	7092298FULL-0244	Asserta Beacon, 24Vdc, Blue Lens
<b>WARNING BEACONS</b>				
	22- 25	WB/XS/R/024	753352FULL-0000	Single Flash Beacon 24Vdc, Red
		WB/XD/R/024	753452FULL-0000	Double Flash Beacon 24Vdc, Red
		WB/XD/A/024	753412FULL-0000	Double Flash Beacon 24Vdc, Amber
		WB/XD/R/230	753454FULL-0000	Double Flash Beacon 230Vac, Red
		WB/RM/R/024	752152FULL-0000	Rotating Mirror Beacon 24Vac/dc, Red
		WB/RM/A/024	752112FULL-0000	Rotating Mirror Beacon 24Vac/dc, Amber
		WB/RM/A/230	752114FULL-0000	Rotating Mirror Beacon 230Vac, Amber
		WB/RM/B/024	752122FULL-0000	Rotating Mirror Beacon, 24Vac/cd, Blue
		WB/L/AL/024/SPR	754712FULL-0000	LED Permanent/Blinking/Rotating 24Vdc, Amber
		WB/L/R/024/SPR	754752FULL-0000	LED Permanent/Blinking/Rotating 24Vdc, Red
<b>EVS</b>				
	26	WB/L/R/024/EVS	755001FULL-0000	LED EVS Beacon 24Vdc, Red
		WB/L/A/024/EVS	755002FULL-0000	LED EVS Beacon 24Vdc Amber
		WB/L/R/115-230/EVS	755004FULL-0000	LED EVS Beacon 115-230Vac, Red
		WB/L/A/115-230/EVS	755005FULL-0000	LED EVS Beacon 115-230Vac, Amber
<b>WARNING BEACON ACCESSORIES</b>				
	27	WB/RX/BACKET	750010FULL-0000	Wall bracket for WBR & WBX Beacons
		WB/RX/GUARD	750001FULL-0000	Guard for WBR & WBX Beacons
		WBL/BACKET	750020FULL-0000	Wall bracket for WBL Beacons
		WBL/GUARD	750002FULL-0000	Guard for WBL Beacons

# Part numbers

PRODUCT NAME	PAGE	PRODUCT REFERENCE	CATALOGUE NUMBER	DESCRIPTION
<b>SOUNDERS &amp; BEACONS</b>				
<b>BLK 5j</b>	28	BLK40/5J/X/CL/15-32VDC	22411401	Strobe Light BLK 40, 5j, 15-32 Vdc, Clear
		BLK40/5J/X/RL/15-32VDC	22411402	Strobe Light BLK 40, 5j, 15-32 Vdc, Red
		BLK40/5J/X/AL/15-32VDC	22411403	Strobe Light BLK 40, 5j, 15-32Vdc, Amber
		BLK40/5J/X/GL/15-32VDC	22411404	Strobe Light BLK 40, 5j, 15-32Vdc, Green
		BLK40/5J/X/BL/15-32VDC	22411405	Strobe Light BLK 40, 5j, 15-32Vdc, Blue
		BLK30/5J/X/CL/110VAC	22411101	Strobe Light BLK 30, 5j, 110Vac, Clear
		BLK30/5J/X/RL/110VAC	22411102	Strobe Light BLK 30, 5j, 110Vac, Red
		BLK30/5J/X/AL/110VAC	22411103	Strobe Light BLK 30, 5j, 110Vac, Amber
		BLK30/5J/X/CL/230VAC	22411201	Strobe Light BLK 30, 5j, 230Vac, Clear
		BLK30/5J/X/RL/230VAC	22411202	Strobe Light BLK 30, 5j, 230Vac, Red
		BLK30/5J/X/AL/230VAC	22411203	Strobe Light BLK 30, 5j, 230Vac, Amber
		BLK30/5J/X/GL/230VAC	22411204	Strobe Light BLK 30, 5j, 230Vac, Green
		BLK50/15J/X/BL/230VAC	22412205	Strobe Light BLK 50, 15j, 230Vac, Blue
		<b>BLK 15j</b>	29	BLK60/15J/X/CL/24VDC
BLK60/15J/X/RL/24VDC	22412402			Strobe light BLK 60, 15j, 24Vdc, Red
BLK60/15J/X/AL/24VDC	22412403			Strobe light BLK 60, 15j, 24Vdc, Amber
BLK60/15J/X/GL/24VDC	22412404			Strobe light BLK 60, 15j, 24Vdc, Green
BLK60/15J/X/BL/24VDC	22412405			Strobe light BLK 60, 15j, 24Vdc, Blue
BLK50/15J/X/CL/230VAC	22412201			Strobe light BLK 50, 15j, 230Vac, Clear
BLK50/15J/X/RL/230VAC	22412202			Strobe light BLK 50, 15j, 230Vac, Red
BLK50/15J/X/AL/230VAC	22412203			Strobe light BLK 50, 15j, 230Vac, Amber
BLK50/15J/X/GL/230VAC	22412204			Strobe light BLK 50, 15j, 230Vac, Green
BLK50/15J/X/BL/230VAC	22412205			Strobe light BLK 50, 15j, 230Vac, Blue
<b>BLK 5j - LOW TEMPERATURE</b>	30	BLK42/5J/X/CL/24VDC/LT	22421401	Strobe light BLK 42, 5j, 15-32Vdc, Clear, Low temp
		BLK42/5J/X/RL/24VDC/LT	22421402	Strobe light BLK 42, 5j, 15-32Vdc, Red, Low temp
		BLK42/5J/X/AL/24VDC/LT	22421403	Strobe light BLK 42, 5j, 15-32Vdc, Amber, Low temp
		BLK32/5J/X/CL/230VAC/LT	22421201	Strobe light BLK 32, 5j, 230Vac, Clear, Low temp
		BLK32/5J/X/RL/230VAC/LT	22421202	Strobe light BLK 32, 5j, 230Vac, Red, Low temp
		BLK32/5J/X/AL/230VAC/LT	22421203	Strobe light BLK 32, 5j, 230Vac, Amber, Low temp
<b>BLK LED</b>	31	BLK/L/RL/24VDC	22161302	LED-Signal light BLK LED 24Vdc, Red
		BLK/L/AL/24VDC	22161303	LED-Signal light BLK LED 24Vdc, Amber
		BLK/L/RL/230VAC	22160702	LED-Signal light BLK LED 230Vac, Red
		BLK/L/AL/230VAC	22160703	LED-Signal light BLK LED 230Vac, Amber
<b>BLK SUPER LED</b>	32	BLK/L/CL/24VDC/1200LM	22163301	LED-Signal light BLK Super LED 24Vdc, 1200 lm Clear
		BLK/L/RL/24VDC/1200LM	22163302	LED-Signal light BLK Super LED 24Vdc, 1200 lm Red
		BLK/L/AL/24VDC/1200LM	22163303	LED-Signal light BLK Super LED 24Vdc, 1200 lm Amber
		BLK/L/CL/230VAC/1200LM	22163701	LED-Signal light BLK Super LED 230Vac, 1200 lm Clear
		BLK/L/RL/230VAC/1200LM	22163702	LED-Signal light BLK Super LED 230Vac, 1200 lm Red
		BLK/L/AL/230VAC/1200LM	22163703	LED-Signal light BLK Super LED 230Vac, 1200 lm Amber
		BLK/L/CL/230VAC/2000LM	22164701	LED-Signal light BLK Super LED 230Vac, 2000 lm Clear
		BLK/L/RL/230VAC/2000LM	22164702	LED-Signal light BLK Super LED 230Vac, 2000 lm Red
		BLK/L/AL/230VAC/2000LM	22164703	LED-Signal light BLK Super LED 230Vac, 2000 lm Amber
<b>BLK 10j</b>	33	BLG10/10J/X/RL/20-75VAC/10-100VDC	22461302	Strobe light BLG 10j, 20-75 Vac /10-100 Vdc, Red Anti-Vibration
		BLG10/10J/X/AL/20-75VAC/10-100VDC	22461303	Strobe light BLG 10j, 20-75Vac /10-100 Vdc, Amber Anti-Vibration
		BLG10/10J/X/GL/20-75VAC/10-100VDC	22461305	Strobe light BLG 10j, 20-75Vac/10-100Vdc, Green Anti-Vibration
		BLG10/10J/X/BL/20-75VAC/10-100VDC	22461305	Strobe light BLG 10j, 20-75Vac/10-100Vdc, Blue Anti-Vibration
		BLG10/10J/X/CL/230VAC	22460701	Strobe light BLG 10j, 230Vac, Clear Anti-Vibration
		BLG10/10J/X/RL/230VAC	22460702	Strobe light BLG 10j, 230Vac, Red Anti-Vibration
		BLG10/10J/X/AL/230VAC	22460703	Strobe light BLG 10j, 230Vac, Amber Anti-Vibration
		BLG10/10J/X/GL/230VAC	22460704	Strobe light BLG 10j, 230Vac, Green Anti-Vibration
		BLG10/10J/X/BL/230VAC	22460705	Strobe light BLG 10j, 230Vac, Blue Anti-Vibration

PRODUCT NAME	PAGE	PRODUCT REFERENCE	CATALOGUE NUMBER	DESCRIPTION
<b>SOUNDERS &amp; BEACONS</b>				
<b>BLG LED MULTI FUNCTION</b>	34	BLG/L/CL/12-24/VAC/DC	22151301	LED-Signal light BLG LED, 12/24Vac/dc, Clear Anti-Vibration
		BLG/L/RL/12-24/VAC/DC	22151302	LED-Signal light BLG LED, 12/24Vac/dc, Red Anti-Vibration
		BLG/L/AL/12-24/VAC/DC	22151303	LED-Signal light BLG LED, 12/24 Vac/dc, Amber Anti-Vibration
		BLG/L/CL/230VAC	22150701	LED-Signal light BLG LED, 230Vac, Clear Anti-Vibration
		BLG/L/RL/230VAC	22150702	LED-Signal light BLG LED, 230Vac, Red Anti-Vibration
		BLG/L/AL/230VAC	22150703	LED-Signal light BLG LED, 230Vac Amber Anti-Vibration
<b>SOUNDERS &amp; BEACONS</b>				
<b>POWERED BASE</b>	35	U Base Red	590020FULL-0094	U Red Base + Locking Screw
		Deep Base Red	593001FUL-0022	Deep Red Base + Locking Screw
		Deep Base White	593002FULL-0017	Deep White Base + Locking Screw
		Shallow Base Red	593005FULL-0027	Shallow Red Base + Locking Screw
		Powered Deep Base Red	631201FUL-0109	Deep Base Red, with 110-230Vac to 24Vdc, Supply Mod
		Powered Deep Base White	631202FUL-0117	Deep Base White, with 110-230Vac to 24Vdc, Supply Mod
<b>SIGNALLING</b>				
<b>COMBI SIGNALLING UNIT</b>	37	ST71/L/S/R/24AC/DC	764555FULL-0000	LED Permanent Light Element, 24Vac/dc, Red Lens
		ST71/L/S/G/24AC/DC	764545FULL-0000	LED Permanent Light Element, 24Vac/dc, Green Lens
		ST71/L/S/A/24AC/DC	764515FULL-0000	LED Permanent Light Element, 24Vac/dc, Amber Lens
		ST71/L/S/C/24AC/DC	764535FULL-0000	LED Permanent Light Element, 24Vac/dc, Clear Lens (White Light)
		ST71/L/S/B/24AC/DC	764525FULL-0000	LED Permanent Light Element, 24Vac/dc, Blue Lens
		ST71/BZ/24AC/DC	769105FULL-0000	Buzzer Element, 24Vac/dc

# Part numbers

PRODUCT NAME	PAGE	PRODUCT REFERENCE	CATALOGUE NUMBER	DESCRIPTION
<b>SIGNALLING</b>				
<b>SIGNAL TOWER SL7 &amp; SL4</b>	38 - 39	SEE WEBSITE FOR MORE DETAILS		
<b>OBSTRUCTION LIGHTS</b>				
<b>ALPHA 1 &amp; ALPHA 3</b>	41	OL/A1/LED/RL/RED/24VDC	22311302	Obstacle Light Skyline Alpha 1, 24Vdc, Red Lens
		OL/A1/LED/RL/RED/115-230VAC	22310702	Obstacle Light Skyline Alpha 1, 115/230Vac, Red Len
		OL/A3/LED/RL/RED/115/230VAC BRKT+JB	223307020	Obstacle Light Skyline Alpha 3, 115/230Vac, Red Lens, Mount Bracket + add Connect Box
<b>BELLS</b>				
<b>BELLS CF MOTORISED</b>	43	CFB6D24 RED	521601FULL-1601	6 Inch Motorised Bell 24Vdc, Red
		CFB6D24 GREY	521603FULL-1603	6 Inch Motorised Bell, 24Vdc, Grey
<b>BELLS FB ELECTRONIC SOLENOID</b>	44	FB/12 RED	500001FULL-0001	Electronic Solenoid Bell 12Vdc, Red
		FB/12 GREY	500002FULL-0002	Electronic Solenoid Bell 12Vdc, Grey
		FB/24/RED (CPD Certified)	502001FULL-2001	Electronic Solenoid Bell 24Vdc, Red
		FB/24/GREY (CPD Certified)	502002FULL-2002	Electronic Solenoid Bell 24Vdc, Grey
		FB/230/RED	504001FULL-4001	Electronic Solenoid Bell 230Vac, Red
		FB/230/GREY	504002FULL-4002	Electronic Solenoid Bell 230Vac, Grey
		FB/12/RED/WP	500003FULL-0003	Weatherproof Electronic Solenoid Bell 12Vdc, Red
		FB/12/GREY/WP	500004FULL-0004	Weatherproof Electronic Solenoid Bell 12Vdc, Grey
		FB/24/RED/WP (CPD Certified)	506001FULL-6001	Weatherproof Electronic Solenoid Bell 24Vdc, Red
		FB/24/G/WP (CPD Certified)	506002FULL-6002	Weatherproof Electronic Solenoid Bell 24Vdc, Grey
		FB/230/RED/WP	508001FULL-8001	Weatherproof Electronic Solenoid Bell 230Vac, Red
		FB/230/GREY/WP	508002FULL-8002	Weatherproof Electronic Solenoid Bell 230Vac, Grey
		WEATHERPROOF BELL KIT	594001FULL-0317	Weatherproofing kit for FB Bell
<b>AW SIGNALLING BELL</b>	45	AWB/150/GR/24VDC	21162113	Signalling bell AW 2 24Vdc, 150 FS
		AWB/150/GR/230VAC	21162107	Signalling bell AW 1 230Vac, 150 FS
		AWB/250/GR/24VDC	21162313	Signalling bell AW 2 24Vdc, 250 FS
		AWB/250/GR/230VAC	21162307	Signalling bell AW 1 230Vac, 250 FS

# Part numbers


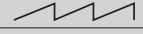

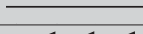






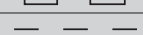
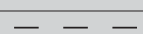




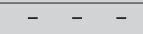

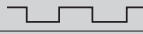

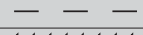



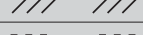




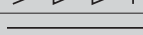
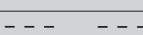


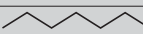
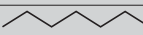

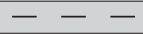



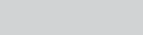
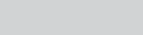
PRODUCT NAME	PAGE	PRODUCT REFERENCE	CATALOGUE NUMBER	DESCRIPTION
<b>HAZARDOUS AREAS</b>				
<b>BG2</b>	47	BG2EDC1NR	PX800004	BG2 Call Point, EExed, Switch Only, No Flap, Painted Red
		BG2EDC3NR 470 671006FULL	PX206166	BG2 Call Point, EExed, 470R Series Resistor, No Flap, Painted Red
<b>DB3</b>	48	DB3PD048N2BPNR	PX803123	DB3P, ATEX ExII 2GD EExd IIC, T5, Zone 1/2, 12-48Vdc, 27 Tones, Two Tones Switchable, 2x20mm Entries, Certified Plug, Red Finish
		DB3D048N2BPNR	PX803125	DB3 Sounder, ATEX ExII 2GD EExd IIC, T5, Zone 1/2, 12-48Vdc, 27 Tones, One Tone Selectable, 2x20mm Entries, Certified Plug, Red Finish
<b>DWG21</b>	49	HWB/200/GG/BB/24VDC	91024210	Ex Signalling Bell dWG21 ATEX 200mm, Grey Gong, Black Body, 24Vdc
		HWB/200/GG/BB/230VAC	91230110	Ex Signalling Bell dWG21 ATEX 200mm, Grey Gong, Black Body, 230Vac
<b>dSLB</b>	50	DSL/LED/YB/RED/24VDC	F22492202	Ex LED-Signal Light dSLB20 LED, 24Vdc, Amber Body, Red Lens
		DSL/LED/AB/AMBER/24VDC	F22492203	Ex LED-Signal Light dSLB20 LED, 24Vdc, Amber Body, Amber Lens
		DSL/LED/YB/RED/230VDC	F22492402	Ex LED-Signal Light dSLB20 LED, 80-265Vac, Amber Body, Red Lens
		DSL/LED/AB/AMBER/230VDC	F22492403	Ex LED-Signal Light dSLB20 LED, 80-265Vac, Amber Body, Amber Lens
<b>XB11</b>	51	XB11B02406RNBNNNN	PX811101	XB11 Xenon Beacon, ATEX ExII 2GD, EExd IIB, T3-T5, Zone 1/2, 24Vdc, 5 joule, Red Lens, Back Strap Mounting, 2x20mm Entries, Black Body, No Lens Guard
		XB11B02406RYBNNNR	PX225105	XB11 Xenon Beacon, ATEX ExII 2GD, EExd IIB, T5, Zone 1/2, 24Vdc, 5 joule, Red Lens, Back Strap Mounting, 2x20mm Entries, Red Body, Lens Guard
		XB11B24006RNBNNNN	PX811103	XB11 Xenon Beacon, ATEX ExII 2GD, EExd IIB, T5, Zone 1/2, 240Vac, 5 joule, Red Lens, Back Strap Mounting, 2x20mm entries, Black Body, No Lens Guard
<b>BDK</b>	52	BDK22/5J/X/RL/24VDC	22481402	ExII-Zone 22 Strobe Light BDK22, 24Vdc, Aluminium Cast Housing, Red Lens
		BDK22/5J/X/RL/230VAC	22471202	ExII-Zone 22 Strobe Light BDK22, 230Vac, Aluminium Cast Housing, Red Lens
		BDK22/5J/X/RL/230VAC	22471203	ExII-Zone 22 Strobe Light BDK22, 230Vac, Aluminium Cast Housing, Amber Lens
<b>BG3</b>	53	BG3I1NBB	PX23300125	Contact Customer Services For More Information
		BG3I1NBR	PX800007	BG3 Call Point, ATEX ExII 1G EExia T4 Zone 0/1/2, Switch Only, 2x20mm Entries, Red Finish, "Burning House" Label
		BG3I4NBR FULL	PX23300109	BG3 Call Point, ATEX ExII 1G, EExia, T4, Zone 0/1/2, Switch Only, 2x20mm Entries, Blue Finish, Glass WWith "Dot and Arrows" Label
<b>DB5</b>	54	DB5B024NR 546001FULL	PX895002	DB5 Sounder, ATEX ExII 1G, Exia T4, Zone 0/1/2, 24Vdc, Red
<b>DB7</b>	55	PX212814	DB7PBB024NR	DB7P Sounder, ATEX Ex II 1G, EExia IIB T4, Zone 0/1/2, 24Vdc, 3 x 20mm Knockouts, 27 Tones, Red Finish, IP66/67
<b>XB8</b>	56	XB8BC024CNR 673104FULL	PX213010	XB8 Xenon Beacon, ATEX ExII 1G, Exia IIC, T4, Zone 0/1/2, 24Vdc, 0.5 joules, Clear Lens, Red Finish
		XB8BC024SNR S=AMBER	PX213009	XB8 Xenon Beacon, ATEX ExII 1G, Exia IIC, T4, Zone 0/1/2, 24Vdc, 0.5 joules, Amber Lens, Red Finish
<b>BARRIERS &amp; ISOLATORS</b>	57	MTL5525	MTL5525	Isolating Interface & Housing to suit DB5 / DB7 / XB8
		MTL5561	MTL5561	Isolating Interface & Housing to suit BG3 Call Point (2 Channel)
		MTL7787+	MTL7787+	Shunt Diode Barrier & Housing to suit BG3 / DB5 / DB7
		MTL7787P+	MTL7787P+	Shunt Diode Barrier & Housing to suit XB8
		DX070	DX070	DIN Rail Enclosure for Isolators and Barriers



# General Tone Tables

1st TONE	2nd TONE	TONE DESCRIPTION				TYPICAL APPLICATION
		TYPE	FREQUENCIES	TEMPORAL PATTERN		
1	14	Alternating	800 & 970	2Hz (250ms-250ms)		BS Fire tone
2	14	Sweep	800 to 970	7Hz (7/s)		BS Fire tone
3	14	Sweep	800 to 970	1Hz (1/s)		BS Fire tone
4	14	Continuous	2850	Steady		General purpose
5	4	Sweep	2400 to 2850	7Hz		General purpose
6	4	Sweep	2400 to 2850	1Hz		General purpose
7	14	Slow whoop	500 to 1200	3.5s sweep, 0.5 s silence, then repeat		Dutch tone (NEN 2575)
8	14	Sweep	1200 to 500	1Hz		Din tone (33 404)
9	4	Alternating	2400 & 2850	2Hz (250ms-250ms)		General purpose
10	14	Intermittent	970	0.5Hz (1s On/1s Off)		PFEER alert
11	14	Alternating	800 & 970	1Hz (500ms-500ms)		BS Fire tone
12	4	Intermittent	2850	0.5Hz (1s On/1s Off)		General purpose
13	14	Intermittent	970	0.8Hz (250ms On/1s Off)		General purpose
14	14	Continuous	970	Steady		PFEER Toxic-gas
15	14	Alternating	554 & 440	100ms-400ms		French fire tone
16	16	Intermittent	660	3.3Hz (150ms On/150ms Off)		Swedish (Air raid)
17	17	Intermittent	660	0.28Hz(1.8s On/1.8s Off)		Swedish (Local warning)
18	18	Intermittent	660	0.05Hz (13s Off / 6.5Hz On)		Swedish (Pre-mess)
19	19	Continuous	660	Steady		Swedish (All clear)
20	20	Alternating	554 & 440	0.5Hz (1s On/1s Off)		Swedish (Turn out)
21	21	Intermittent	660	1Hz (500ms-500ms)		Swedish tone
22	14	Intermittent	2850	4Hz (150ms On/100ms Off)		Pelican crossing
23	14	Sweep	800 to 970	50Hz		BS Fire tone
24	4	Sweep	2400 to 2850	50Hz		General purpose
25	25	Intermittent	970	3 x 500ms pulses followed by 1.5s silence then repeat		ISO 8201 / Australia
26	26	Intermittent (1)	800 to 970	3 x 500ms pulsed sweep followed by 1.5s silence then repeat		ISO 8201 / Australia
27	27	Intermittent (1)	970 & 800	3 x 500ms pulsed two tone followed by 1.5s silence then repeat		ISO 8201 / Australia
28	10	Alternating	800 & 970	2Hz (250ms-250ms)		BS Fire tone
29	33	Alternating	990 & 650	2Hz (250ms-250ms) (Symphoni tones)		BS Fire tone
30	35	Alternating	510 & 610	2Hz (250ms-250ms) (Squashni Micro tones)		BS Fire tone
31	14	Sweep	300 to 1200	1Hz		General purpose
32	35	Alternating	510 & 610	1 Hz (500mS-500mS)		BS Fire tone

# Tone Table Asserta Maxi

1st TONE	2nd TONE	3rd TONE	TONE DESCRIPTION				TYPICAL APPLICATION
			TYPE	FREQUENCIES	TEMPORAL PATTERN		
A1	(2)	A14	Alternating	800 & 970	2Hz (250ms-250ms)		BS Fire tone
A2	(2)	A14	Sweep	800 to 970	7Hz (7/s)		BS Fire tone
A3	(2)	A14	Sweep	800 to 970	1Hz (1/s)		BS Fire tone
A4	(2)	A9	Continuous	2850	Steady		General purpose
A5	(2)	A4	Sweep	2400 to 2850	7Hz		General purpose
A6	(2)	A4	Sweep	2400 to 2850	1Hz		General purpose
A7	(2)	A14	Slow whoop	500 to 1200	3s sweep, 0.5 s silence, then repeat		Dutch tone (NEN 2575)
A8	(2)	A14	Sweep	1200 to 500	1Hz		Din tone (33 404)
A9	(2)	A4	Alternating	2400 & 2850	2Hz (250ms-250ms)		General purpose
A10	(2)	A14	Intermittent	970	0.5Hz (1s On/1s Off)		PFEER alert
A11	(2)	A14	Alternating	800 & 970	1Hz (500ms-500ms)		BS Fire tone
A12	(2)	A4	Intermittent	2850	0.5Hz (1s On/1s Off)		General purpose
A13	(2)	A14	Intermittent	970	0.8Hz (250ms On/1s Off)		General purpose
A14	(2)	A8	Continuous	970	Steady		PFEER - Toxic gas
A15	(2)	A14	Alternating	554 & 440	100ms-400ms		France NFS 32 S 32-001
A16	(2)	A14	Intermittent	660	3.3Hz (150ms On/150ms Off)		Swedish (Air raid)
A17	(2)	A14	Intermittent	660	0.28Hz(1.8s On/1.8s Off)		Swedish (Local warning)
A18	(2)	A14	Intermittent	660	0.05Hz (6.5s On/13s Off)		Swedish (Pre-mess)
A19	(2)	A1	Continuous	660	Steady		Swedish (All clear)
A20	(2)	A19	Alternating	554 & 440	0.5Hz (1s On/1s Off)		Swedish (Turn out)
A21	(2)	A4	Intermittent	660	1Hz (500ms-500ms)		Swedish
A22	(2)	A4	Intermittent	2850	4Hz (150ms On/100ms Off)		General purpose
A23	(2)	A14	Sweep	800 to 970	50Hz		BS Fire tone
A24	(2)	A4	Sweep	2400 to 2850	50Hz		General purpose
A25	(2)	A14	Intermittent	970	3 x 500ms pulses followed by 1.5s silence then repeat		ISO 8201/Australia/US Temporal
A26	(2)	A4	Intermittent(1)	800 to 970	3 x 500ms pulsed sweep followed by 1.5s silence then repeat		ISO 8201/Australia
A27	(2)	A6	Intermittent(1)	970 & 800	3 x 500ms pulsed two tone followed by 1.5s silence then repeat		ISO 8201/Australia
A28	(2)	A14	Alternating	800 & 970	2Hz (250ms-250ms)		BS Fire tone
A29	(2)	A14	Alternating	990 & 650	2Hz (250ms-250ms) (Symphoni tones)		BS Fire tone
A30	(2)	A14	Alternating	510 & 610	2Hz (250ms-250ms) (Squashni Micro tones)		BS Fire tone
A31	(2)	A14	Sweep	300 to 1200	1Hz		General purpose
A32	(2)	A3	Continuous	Bell	Steady		General purpose/BS Fire tone
A33	(2)	A14	Continuous	Bell	3 x 500ms pulses followed by 1.5s silence then repeat		Bell / US temporal
A34	(2)	A4	Alternating	1000 & 2000	1Hz (500ms-500ms)		Singapore
A35	(2)	A14	Intermittent	420	pulsed @ 0.625s		Australian alert
A36	(2)	A14	Sweep	500 to 1200	Sweep 3.75s followed by 0.25s gap		Australian evac
A37	(2)	A14	Sweep	1400 to 1600	Sweep up 1s, sweep down 0.5s		NF C 48-265
A38	(2)	A14	Sweep	500 to 1200	Sweep UP & DOWN over 3s		Siren
A39	(2)	A14	Intermittent	720	0.7s ON, 0.3OFF		German ind alarm
A40	(2)	A14	Sweep	422 to 775	Sweep for 0.85s, 1s delay, repeat		NFPA Whoop
A41	(2)	A3	Continuous	470	Steady		Horn (USA)
A42	(2)	A3	Continuous	370	Steady		Air horn (USA)

(2) Tones 1 & 2 individually selectable. Third tone fixed by tone 2 selection.

Cooper Fulleon Limited  
Llantarnam Park  
Cwmbran,  
Gwent, NP44 3AW  
Tel: +44 (0)1633 628 500  
Fax: +44 (0)1633 866 346  
www.cooperfulleon.com

© 2013 Eaton  
All Rights Reserved  
Printed in UK  
Publication No. CAV20913



*Powering Business Worldwide*

Changes to the products, to the information contained in this document, and to prices are reserved; so are errors and omissions. Only order confirmations and technical documentation by Eaton is binding. Photos and pictures also do not warrant a specific layout or functionality. Their use in whatever form is subject to prior approval by Eaton. The same applies to Trademarks (especially Eaton, Moeller, and Cutler-Hammer). The Terms and Conditions of Eaton apply, as referenced on Eaton Internet pages and Eaton order confirmations.

Eaton is a registered trademark.

All other trademarks are property of their respective owners.