



Main

Range of product	Modicon M580
Product or component type	Processor module
Supply	Internal power supply via rack

Complementary

Number of racks	4
Discrete I/O processor capacity	2048 I/O
Analogue I/O processor capacity	512 I/O
Number of application specific channel	72
Application specific I/O	Counter Accurate time stamping HART Motion control Serial link SSI encoder
Checks	Process control
Control channels	Programmable loops
Integrated connection type	USB type mini B 1 Ethernet TCP/IP service port 2 Ethernet TCP/IP device network
Number of remote I/O station	8 - 2 rack(s) per remote drop
Number of distributed equipment	64
Communication module processor capacity	2 Ethernet communication module 8 AS-Interface module
Communication service	RIO scanner DIO scanner
Memory description	Expandable flash 4 GB data storage Integrated RAM 10 kB system memory Integrated RAM 8 MB program Integrated RAM 768 kB data
Application structure	64 event tasks 2 auxiliary tasks 1 periodic fast task

Disclaimer: This documentation is not intended as a substitute for and is not to be used for determining suitability or reliability of these products for specific user applications

	1 cyclic/periodic master task
Number of instructions per ms	7.5 Kinst/ms 65 % Boolean + 35 % fixed arithmetic 10 Kinst/ms 100 % Boolean
Current consumption	270 mA 24 V DC
MTBF reliability	600000 H
Marking	CE
Status LED	1 LED green download in progress (DL) 1 LED red memory card or CPU flash fault (BACKUP) 1 LED green/red ETH MS (Ethernet port configuration status) 1 LED green/red Eth NS (Ethernet network status) 1 LED green processor running (RUN) 1 LED red I/O module fault (I/O) 1 LED red processor or system fault (ERR)
Product weight	0.849 kg

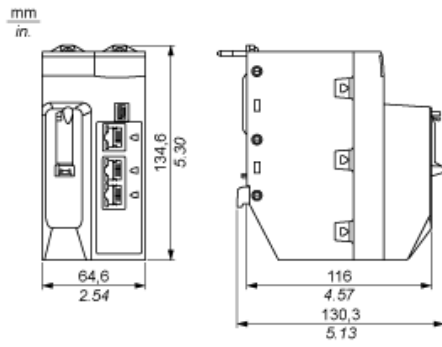
Environment

Vibration resistance	3 gn
Shock resistance	30 gn
Ambient air temperature for operation	0...60 °C
Ambient air temperature for storage	-40...85 °C
Operating altitude	0...2000 m 2000...5000 m (with derating factor)
Relative humidity	5...95 % 55 °C conforming to without condensation
IP degree of protection	IP20
Standards	CSA C22.2 No 61010-2-201 UL 61010-2-201 EN/IEC 61010-2-201 EN/IEC 61131-2
Product certifications	Merchant Navy EAC UL CE CSA RCM

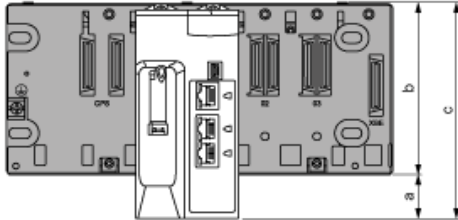
Offer Sustainability

Sustainable offer status	Green Premium product
RoHS (date code: YYWW)	Compliant - since 1623 - Schneider Electric declaration of conformity Schneider Electric declaration of conformity
REACH	Reference not containing SVHC above the threshold Reference not containing SVHC above the threshold
Product environmental profile	Available
Product end of life instructions	Available

CPU MODULE ONLY

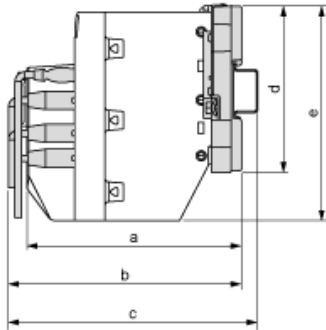


Modules Mounted on Racks



- a: additional space below the rack to accommodate the height of the CPU. For an X Bus rack, the value is 30.9 mm (1.217 in.); for an Ethernet rack, the value is 30.9 mm (1.217 in.).
- b: the height of the rack. For an X Bus rack, the height is 103.7 mm (4.083 in.); for an Ethernet rack, the height is 105.11 mm (4.138 in.).
- c: the height of the main local rack, 134.6 mm (5.299 in.).

Modules and Cables Mounted in an Enclosure



- a: enclosure depth: 135 mm (5.315 in.)
- b: wiring + module depth: > 146 mm (5.748 in.)
- c: wiring + module + DIN rail depth: > 156 mm (6.142 in.)
- d: rack height: for an X Bus rack 103.7 mm (4.083 in.); for an Ethernet rack, 105.11 mm (4.138 in.)
- e: module height: 134.6 mm (5.299 in.)