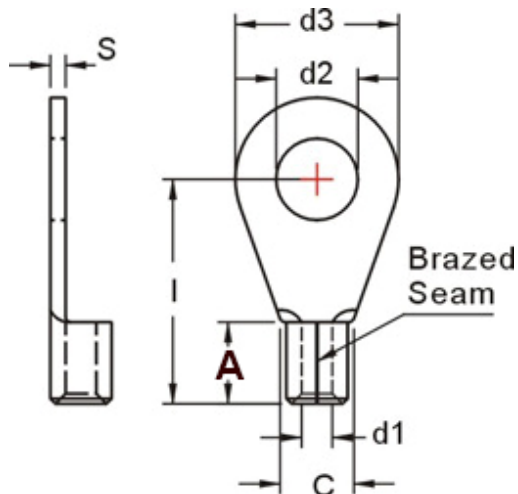


Non-Insulated Ring Tongue Terminals (DIN46234)



Specifications

Terminal Material : Copper
Terminal Plating : Tin Plated
Termination : Crimp



Ordering Information

Part Number	Applicable Wire Size		Dimension								
	AWG(#)	Conductor Cross Section Area mm ²	d2			d3	l	A	C	d1	S
			Stud Size	mm	Inches						
MC002879	22 - 16	0.5 - 1.5	3/8	10.5	0.413	14	17	5	4	1.6	0.8
MC002899	8	10	3/8	10.5	0.413	18	21	8	8	4.5	1.1
MC002904	6	16	3/8	10.5	0.413	18	24	10	10.5	5.8	1.2
MC002887	16 - 14	1.5 - 2.5	3/8	10.5	0.413	15	17	5	4.5	2.3	0.8
MC002908	4	25	3/8	10.5	0.413	18	26	11	12	7.5	1.5
MC002913	2	35	3/8	10.5	0.413	18	27	12	15	9	1.6
MC002918	1/0	50	3/8	10.5	0.413	18	34	16	17	11	1.8
MC002893	12 - 10	2.5 - 6	3/8	10.5	0.413	18	21	6	6	3.6	1
MC002900	8	10	1/2	13	0.512	22	23	8	8	4.5	1.1
MC002905	6	16	1/2	13	0.512	22	25	10	10.5	5.8	1.2
MC002888	16 - 14	1.5 - 2.5	1/2	13	0.512	18	20	5	4.5	2.3	0.8
MC002909	4	25	1/2	13	0.512	22	31	11	12	7.5	1.5
MC002914	2	35	1/2	13	0.512	22	31	12	15	9	1.6
MC002919	1/0	50	1/2	13	0.512	22	36	16	17	11	1.8
MC002894	12 - 10	2.5 - 6	1/2	13	0.512	18	21	6	6	3.6	1
MC002910	4	25	5/8	17	0.669	28	35	11	12	7.5	1.5

www.element14.com
www.farnell.com
www.newark.com



Non-Insulated Ring Tongue Terminals (DIN46234)



Part Number	Applicable Wire Size		Dimension								
	AWG(#)	Conductor Cross Section Area mm ²	d2			d3	I	A	C	d1	S
			Stud Size	mm	Inches						
MC002915	2	35	5/8	17	0.669	28	35	12	15	9	1.6
MC002920	1/0	50	5/8	17	0.669	2	40	16	17	11	1.8
MC002881	16 - 14	1.5 - 2.5	#6	3.7	0.146	6	11	5	4.5	2.3	0.8
MC002873	22 - 16	0.5 - 1.5	#4	3.2	0.126	6	11	5	4	1.6	0.8
MC002880	16 - 14	1.5 - 2.5	#4	3.2	0.126	6	11	5	4.5	2.3	0.8
MC002874	22 - 16	0.5 - 1.5	#8	4.3	0.169	8	12	5	4	1.6	0.8
MC002895	8	10	#8	4.3	0.169	10	16	8	8	4.5	1.1
MC002882	16 - 14	1.5 - 2.5	#8	4.3	0.169	8	12	5	4.5	2.3	0.8
MC002889	12 - 10	2.5 - 6	#8	4.3	0.169	8	14	6	6	3.6	1
MC002876	22 - 16	0.5 - 1.5	#10	5.3	0.209	10	13	5	4	1.6	0.8
MC002896	8	10	#10	5.3	0.209	10	16	8	8	4.5	1.1
MC002901	6	16	#10	5.3	0.209	11	20	10	10.5	5.8	1.2
MC002883	16 - 14	1.5 - 2.5	#10	5.3	0.209	10	14	5	4.5	2.3	0.8
MC002890	12 - 10	2.5 - 6	#10	5.3	0.209	10	15	6	6	3.6	1
MC002877	22 - 16	0.5 - 1.5	1/4	6.5	0.252	10	13	5	4	1.6	0.8
MC002897	8	10	1/4	6.5	0.252	11	17	8	8	4.5	1.1
MC002902	6	16	1/4	6.5	0.252	11	20	10	10.5	5.8	1.2
MC002885	16 - 14	1.5 - 2.5	1/4	6.5	0.252	11	16	5	4.5	2.3	0.8
MC002906	4	25	1/4	6.5	0.252	12	25	11	12	7.5	1.5
MC002911	2	35	1/4	6.5	0.252	15	26	12	15	9	1.6
MC002916	1/0	50	1/4	6.5	0.252	18	34	16	17	11	1.8
MC002891	12 - 10	2.5 - 6	1/4	6.5	0.252	11	16	6	6	3.6	1
MC002878	22 - 16	0.5 - 1.5	5/16	8.4	0.331	14	17	5	4	1.6	0.8
MC002898	8	10	5/16	8.4	0.331	14	20	8	8	4.5	1.1
MC002903	6	16	5/16	8.4	0.331	14	22	10	10.5	5.8	1.2
MC002886	16 - 14	1.5 - 2.5	5/16	8.4	0.331	14	17	5	4.5	2.3	0.8
MC002907	4	25	5/16	8.4	0.331	16	25	11	12	7.5	1.5
MC002912	2	35	5/16	8.4	0.331	16	26	12	15	9	1.6
MC002917	1/0	50	5/16	8.4	0.331	18	34	16	17	11	1.8
MC002892	12 - 10	2.5 - 6	5/16	8.4	0.331	14	19	6	6	3.6	1
MC002875	22 - 16	0.5 - 1.5	#10	5.3	0.209	8	12.5	5	4	1.6	0.8
MC002884	16 - 14	1.5 - 2.5	#10	5.3	0.209	8	13.5	5	4.5	2.3	0.8

Important Notice : This data sheet and its contents (the "Information") belong to the members of the Premier Farnell group of companies (the "Group") or are licensed to it. No licence is granted for the use of it other than for information purposes in connection with the products to which it relates. No licence of any intellectual property rights is granted. The Information is subject to change without notice and replaces all data sheets previously supplied. The Information supplied is believed to be accurate but the Group assumes no responsibility for its accuracy or completeness, any error in or omission from it or for any use made of it. Users of this data sheet should check for themselves the Information and the suitability of the products for their purpose and not make any assumptions based on information included or omitted. Liability for loss or damage resulting from any reliance on the Information or use of it (including liability resulting from negligence or where the Group was aware of the possibility of such loss or damage arising) is excluded. This will not operate to limit or restrict the Group's liability for death or personal injury resulting from its negligence. Multicomp is the registered trademark of the Group. © Premier Farnell Limited 2016.