

NFP0RSN122HL2#

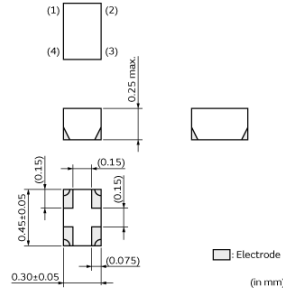
“#” indicates a package specification code.



< List of part numbers with package codes >

NFP0RSN122HL2B NFP0RSN122HL2D

Appearance & Shape



Features

1. Small size and tight dimensional tolerance
Size: 0.45x0.30x0.25mm
2. Common mode noise suppression effect
(The effect become maximum at 1.1GHz and 1.2GHz)
3. Prevents signal damaging in high speed differential lines.
4. Designed to match line impedance.

Application

Common mode noise suppression of high speed differential signal lines for mipi, USB 2.0, IEEE1394, LVDS etc.

1. Note PCs
2. Cellular phones
3. Digital Still Cameras, Digital Video Cameras

Applications

Limited Usage	For differential signal interface line
Other Usage	For general

Packaging Information

Packaging	Specifications	Minimum Order Quantity
B	Bulk(Bag)	500
D	180mm Paper Tape	15000

Attention

- 1.This datasheet is downloaded from the website of Murata Manufacturing Co., Ltd. Therefore, it's specifications are subject to change or our products in it may be discontinued without advance notice. Please check with our sales representatives or product engineers before ordering.
- 2.This datasheet has only typical specifications because there is no space for detailed specifications.
Therefore, please review our product specifications or consult the approval sheet for product specifications before ordering.

NFP0RSN122HL2#

“#” indicates a package specification code.



Specifications

Shape	SMD	DC Resistance	3.0Ω±30%
Size Code (in mm)	0403	Insulation Resistance(min.)	100MΩ
Size Code (in inch)	018012	Cut-off Frequency	4.5GHz (Typ.)
Length	0.45mm	Operating Temperature Range	-40°C to 85°C
Length Tolerance	±0.05mm	Mass(typ.)	0.2mg
Width	0.3mm	Number of Circuit	1
Width Tolerance	±0.05mm	Operating Temperature Range(Self-temperature rise is included)	No
Thickness	0.25mm		
Thickness Tolerance	max.		
Common Mode Impedance (at 100MHz)	65Ω		
Common Mode Impedance (at 100MHz) Tolerance	(Typ.)		
Common Mode Insertion Loss Characteristic	9dB Typ.(240MHz), 19dB Typ.(700MHz), 22dB Typ.(900MHz), 24dB Typ.(1.7GHz), 20dB Typ.(2.4GHz)		
Rated Current	50mA		
Rated Voltage	5Vdc		
Withstanding Voltage	12.5Vdc		
DC Resistance(max.)	3.9Ω		

Attention

1.This datasheet is downloaded from the website of Murata Manufacturing Co., Ltd. Therefore, it's specifications are subject to change or our products in it may be discontinued without advance notice. Please check with our sales representatives or product engineers before ordering.

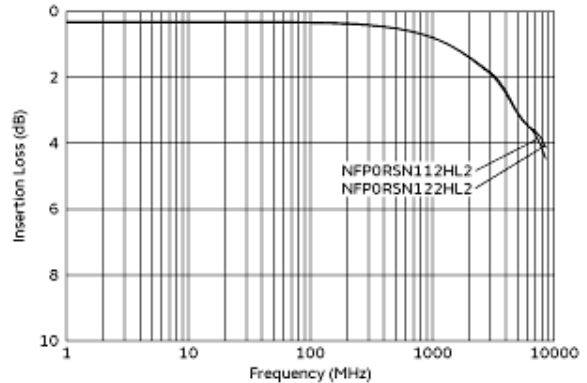
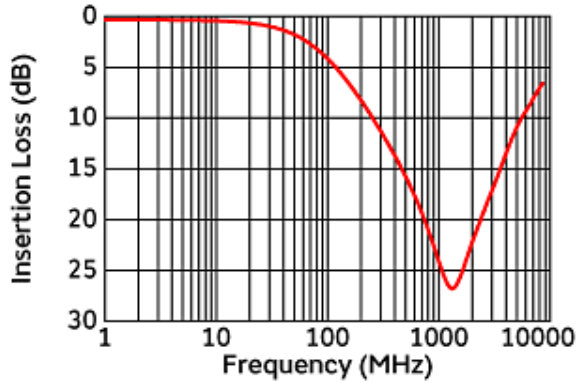
2.This datasheet has only typical specifications because there is no space for detailed specifications.

Therefore, please review our product specifications or consult the approval sheet for product specifications before ordering.

NFP0RSN122HL2#

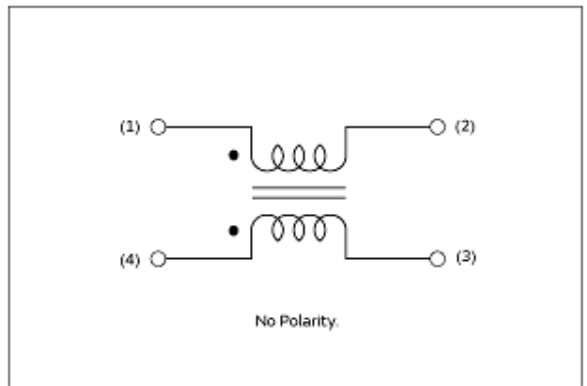
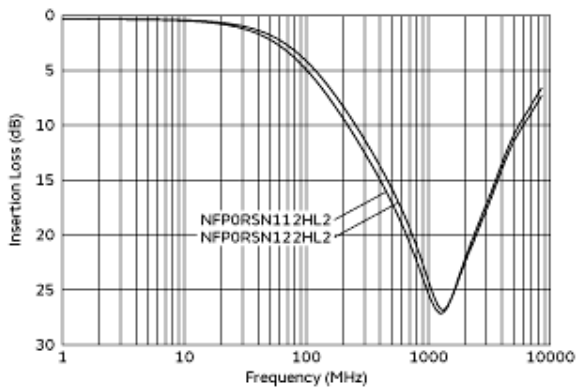
“#” indicates a package specification code.

Product Data



Common Mode Insertion Loss Characteristic (Typical Value)

Differential Mode Transmission Characteristics (Typical Value)



Common Mode Insertion Loss Characteristic (Main Items)(Typical Value)

Equivalent Circuit

Attention

- 1.This datasheet is downloaded from the website of Murata Manufacturing Co., Ltd. Therefore, it's specifications are subject to change or our products in it may be discontinued without advance notice. Please check with our sales representatives or product engineers before ordering.
 - 2.This datasheet has only typical specifications because there is no space for detailed specifications.
- Therefore, please review our product specifications or consult the approval sheet for product specifications before ordering.