

DLM0QSN500HY2#

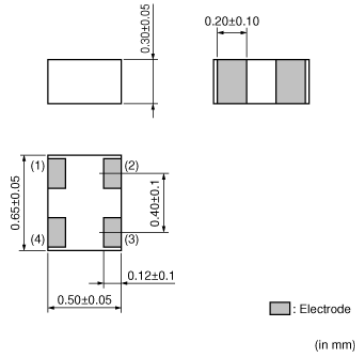
“#” indicates a package specification code.



< List of part numbers with package codes >

DLM0QSN500HY2B DLM0QSN500HY2D

Appearance & Shape



Features

1. Small size and tight dimensional tolerance
Size: 0.65x0.50x0.30mm
Tolerance: +0.05mm
2. Suitable common mode impedance for high speed signal lines.
3. Prevents signal damaging in high speed differential lines.
4. Designed to match line impedance.

Applications

Limited Usage	For differential signal interface line
Other Usage	For general

Packaging Information

Packaging	Specifications	Minimum Order Quantity
B	Bulk(Bag)	500
D	180mm Paper Tape	15000

Attention

- 1.This datasheet is downloaded from the website of Murata Manufacturing Co., Ltd. Therefore, it's specifications are subject to change or our products in it may be discontinued without advance notice. Please check with our sales representatives or product engineers before ordering.
- 2.This datasheet has only typical specifications because there is no space for detailed specifications.
Therefore, please review our product specifications or consult the approval sheet for product specifications before ordering.

DLM0QSN500HY2#

“#” indicates a package specification code.



Specifications

Shape	SMD	Cut-off Frequency	4.0GHz (Typ.)
Size Code (in mm)	0605	Operating Temperature Range	-40°C to 85°C
Size Code (in inch)	025020	Mass(typ.)	0.3mg
Length	0.65mm	Number of Circuit	1
Length Tolerance	±0.05mm	Operating Temperature Range(Self-temperature rise is included)	No
Width	0.5mm		
Width Tolerance	±0.05mm		
Thickness	0.3mm		
Thickness Tolerance	±0.05mm		
Common Mode Impedance (at 100MHz)	50Ω		
Common Mode Impedance (at 100MHz) Tolerance	±35%		
Rated Current	100mA		
Rated Voltage	5Vdc		
Withstanding Voltage	12.5Vdc		
DC Resistance(max.)	4.5Ω		
DC Resistance	3.6Ω±25%		
Insulation Resistance(min.)	10MΩ		

Attention

1.This datasheet is downloaded from the website of Murata Manufacturing Co., Ltd. Therefore, it's specifications are subject to change or our products in it may be discontinued without advance notice. Please check with our sales representatives or product engineers before ordering.

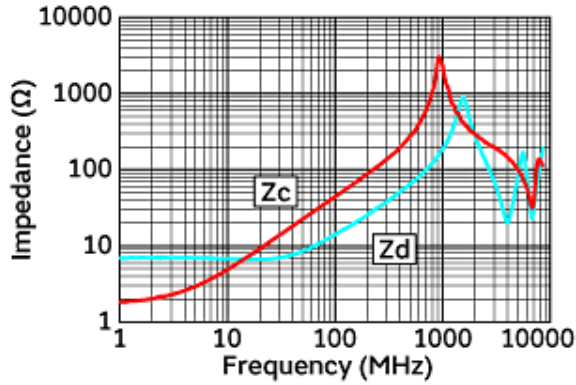
2.This datasheet has only typical specifications because there is no space for detailed specifications.

Therefore, please review our product specifications or consult the approval sheet for product specifications before ordering.

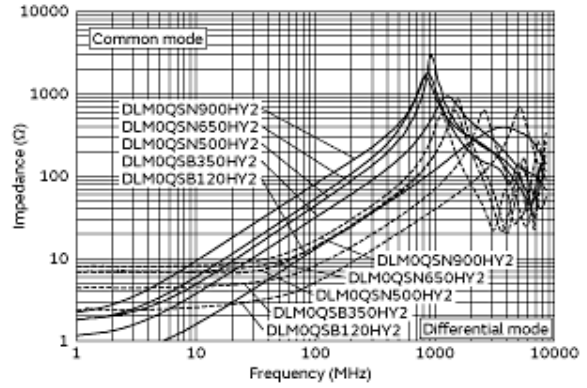
DLM0QSN500HY2#

“#” indicates a package specification code.

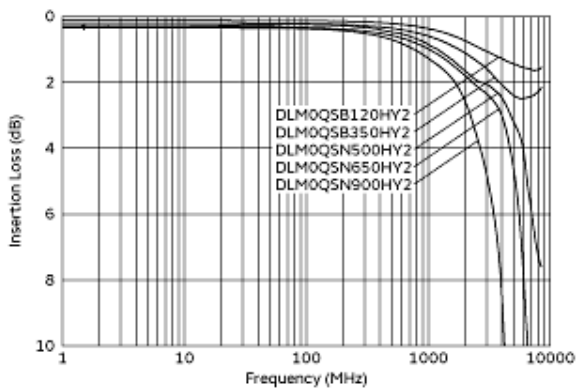
Product Data



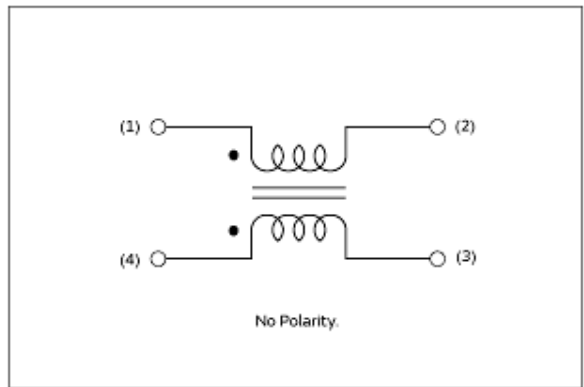
Impedance-Frequency Characteristics



Impedance-Frequency Characteristics (Main Items)



Differential Mode Transmission Characteristics (Typical Value)



Equivalent Circuit

Attention

- 1.This datasheet is downloaded from the website of Murata Manufacturing Co., Ltd. Therefore, it's specifications are subject to change or our products in it may be discontinued without advance notice. Please check with our sales representatives or product engineers before ordering.
- 2.This datasheet has only typical specifications because there is no space for detailed specifications. Therefore, please review our product specifications or consult the approval sheet for product specifications before ordering.