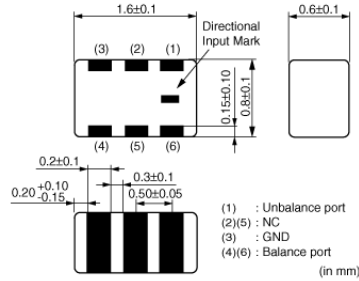


LDB182G4505C-110

In Production Recommended RoHS REACH

Appearance & Shape



(1) : Unbalance port
(2)(5) : NC
(3) : GND
(4)(6) : Balance port
(in mm)

*Terminal of "NC" should be fixed to the no connected pattern.
All the technical data and Information contained herein are subject to change without prior notice.

Features

Chip type SMD baluns constructed with copper conductor and ceramic material.
Ideal for high-frequency applications.
Small-size and low-loss baluns can be customized for the balance impedance of 50ohm to 200ohm.

1. Available in the 2400MHz to 2500MHz frequency range.
2. Impedance at balanced terminals is 50ohm.
3. Small, Low-profiled SMD.
4. Low loss.
5. Available in tape and reel packing for automatic mounting.

Packaging Information

| Packaging | Specifications | Minimum Order Quantity |
|-----------|------------------|------------------------|
| - | 180mm Paper Tape | 4000 |

Attention

1. This datasheet is downloaded from the website of Murata Manufacturing Co., Ltd. Therefore, its specifications are subject to change or our products in it may be discontinued without advance notice. Please check with our sales representatives or product engineers before ordering.
2. This datasheet has only typical specifications because there is no space for detailed specifications.
Therefore, please review our product specifications or consult the approval sheet for product specifications before ordering.

LDB182G4505C-110



Specifications

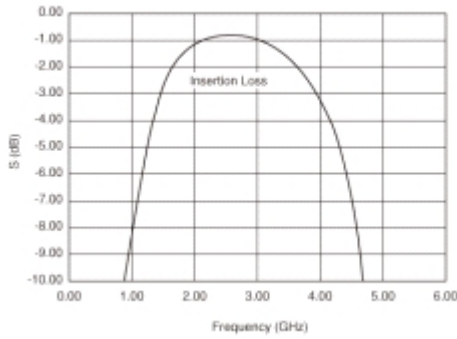
| | |
|---|----------------------------------|
| Applications | WLAN BT |
| Center Frequency | 2450.00MHz |
| Frequency Range | 2400.00MHz to 2500.00MHz |
| Insertion Loss I) | 1.0dB max. (at 25°C) |
| Insertion Loss II) | 1.1dB max. (-40 to +85°C) |
| Unbalance Impedance (Nom.) | 50Ω |
| Balance Impedance (Differential) (Nom.) | 50Ω |
| Unbalance Port VSWR | 2.0 max. (Balance Port:at 50ohm) |
| Power Capacity | 0.5W |
| Operating Temperature Range | -40°C to 85°C |
| L x W (size) | 1.60x0.80mm |
| Thickness(max.) | 0.7mm |

Attention

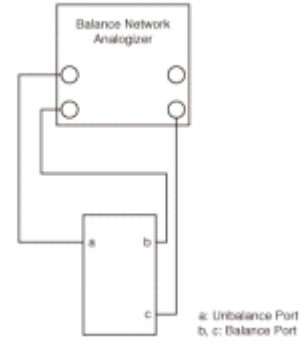
- 1.This datasheet is downloaded from the website of Murata Manufacturing Co., Ltd. Therefore, it's specifications are subject to change or our products in it may be discontinued without advance notice. Please check with our sales representatives or product engineers before ordering.
- 2.This datasheet has only typical specifications because there is no space for detailed specifications. Therefore, please review our product specifications or consult the approval sheet for product specifications before ordering.

LDB182G4505C-110

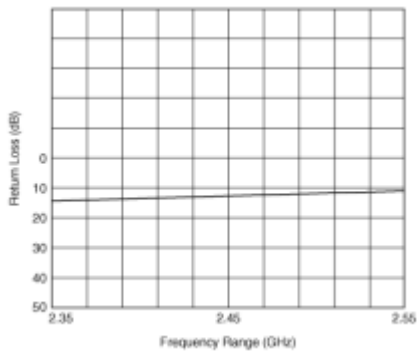
Product Data



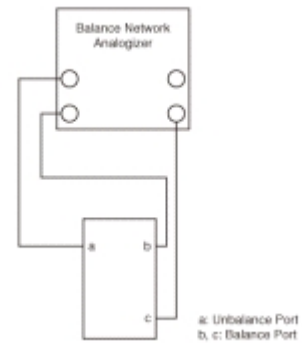
Insertion Loss Characteristics



Measurement Circuit of Insertion Loss



Characteristics of Unbalance Port VSWR



Measurement Circuit of Unbalance Port VSWR

Attention

1.This datasheet is downloaded from the website of Murata Manufacturing Co., Ltd. Therefore, it's specifications are subject to change or our products in it may be discontinued without advance notice. Please check with our sales representatives or product engineers before ordering.
2.This datasheet has only typical specifications because there is no space for detailed specifications.
Therefore, please review our product specifications or consult the approval sheet for product specifications before ordering.