

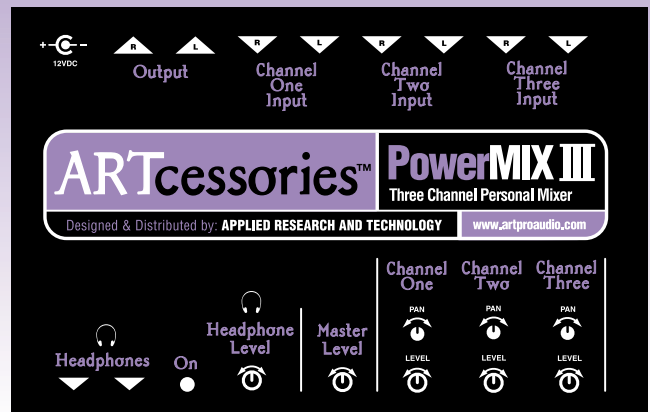
ARTcessories™

Creative audio solutions in cool little boxes.

September 2002

PowerMIX III

Three Channel Personal Mixer



The Facts about Mini Mixers:

Problem: How do you connect a CD player, a synthesizer and the line output from a bass amp to a tape deck?

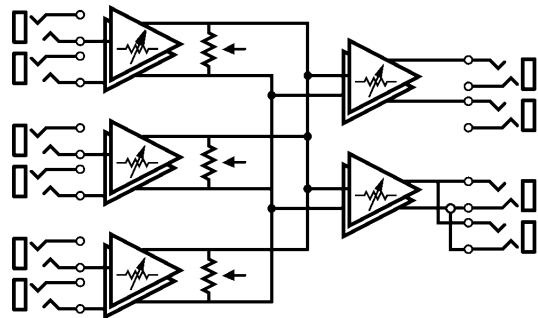
Solution: Use a simple stereo mixer. The PowerMIX III can accept either mono or stereo signals and mixes them down to stereo or identical L/R mono signals. Additionally, the PowerMIX III provides a headphone output with its own level control.

Specifications:

- Three input channels each with their own pan and level controls
- Three sets of 1/4" left and right unbalanced inputs
- The Right inputs may be used for mono signals
- A Master Level control regulates all 3 channels
- Left and Right unbalanced 1/4" Outputs
- The Headphone channel features dual, stereo 1/4" outputs so that two headsets can be connected at once
- The Headphone Level control regulates both outputs
- Input Impedance: 10k ohms
- Output Impedance: 100 ohms
- Max. Gain = +27dB
- Max. Input Level: +30dB
- Max. Output Level: +13dB
- THD: <0.005%
- Power: 12V DC (Adapter included)
- Dimensions: 5.625 x 3.75 x 1.75 inches (143mmx92mmx45mm)
- Weight: 2 lbs. (.91kg)

Usage:

1. Plug the AC adapter into the 12V DC input on the PowerMIX III and plug the other end into a 120V AC wall socket.
2. Plug your stereo signal sources into the separate L/R Inputs on channels 1 to 3. Mono sources can be plugged into the Right Input on any channel. It is not recommended that you connect 2 mono sources to any one channel.
3. Connect the L/R Outputs to the inputs on your mixer, tape deck, PC, etc. with unbalanced, shielded patch cables.
4. Connect stereo headphones to either of the Headphone jacks. An additional set may be connected to the remaining jack. Turn up the Headphone Level slightly.
5. Adjust the channel Pan and Level controls for the desired mix through headphones.
6. Increase the Master Level control setting as required for optimum signal level and clarity from the recording or PA device (PC, cassette deck, mixer, etc.).



DESIGNED & DISTRIBUTED BY:



APPLIED RESEARCH AND TECHNOLOGY
215 Tremont St. • Rochester, NY 14608 • USA
For Customer Service, please call: 585.436.2720
Email: cserve@artproaudio.com
www.artproaudio.com