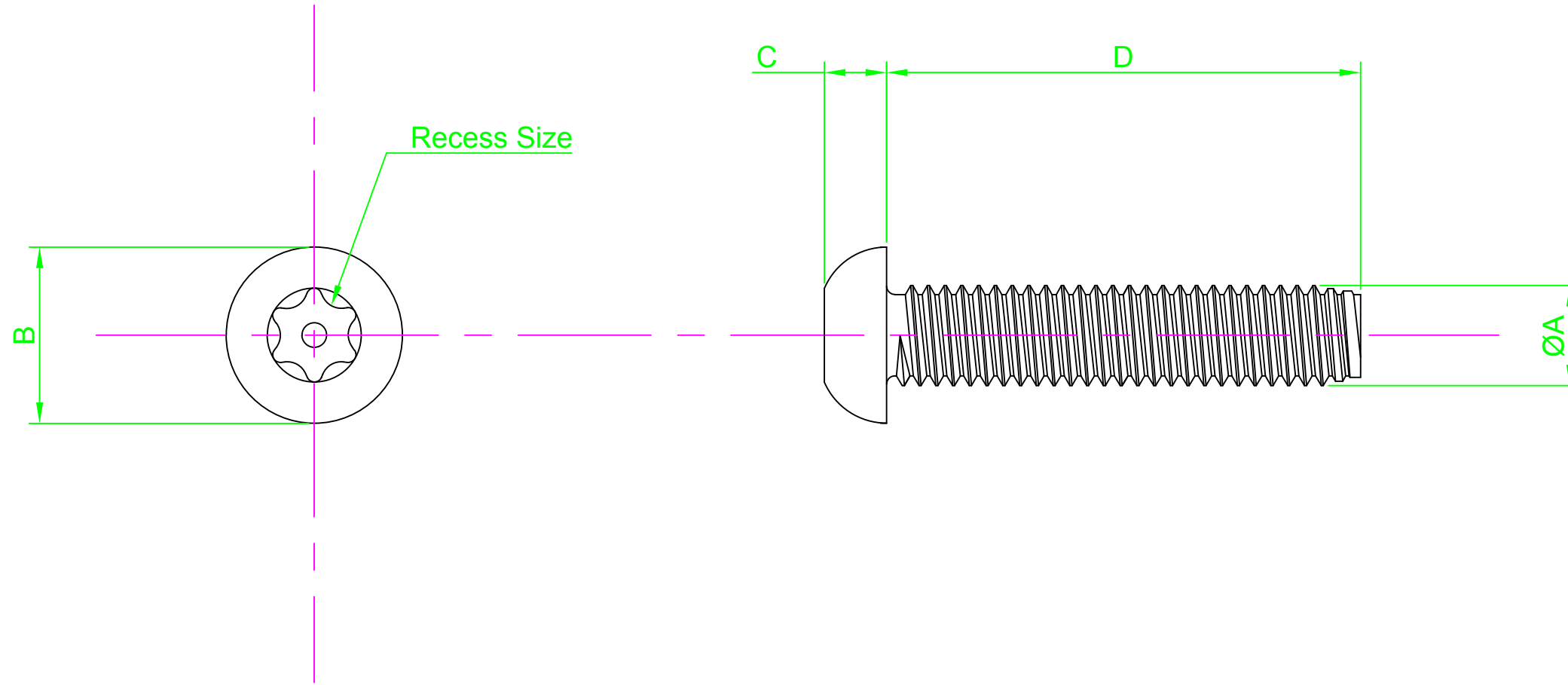


DO NOT SCALE DRAWING



REVISION	
A	INITIAL DRAWING 22.9.15

Part Number	ØA	B Nom	C Max	Recess Size	D
M4 12 M4STMC Z100	M4-0.7	7.4	2.1	T20	12
M4 20 M4STMC Z100					20
M6 12 M4STMC Z100	M6-1.0	10.4	3.2	T30	12

NOTES:



UNLESS OTHERWISE SPECIFIED:
DIMENSIONS ARE IN MM (MILLIMETERS).
SURFACE FINISH:
TOLERANCES:

	NAME	DATE
DRAWN	Darryl Wilson	22.09.15
CHK'D		
APPVD		

MATERIAL:
Steel

HEAT TREATMENT:

TITLE:
Monodrive 4 Button Head Security Machine Screw

DESIGN RIGHT. TR FASTENINGS LTD, 2003
UNDER NO CIRCUMSTANCES MUST THIS
DRAWING BE COPIED OR DISCLOSED
WITHOUT FIRST OBTAINING WRITTEN
AUTHORITY.

CUSTOMER PART NUMBER:
N/A

FINISH:
TC1 - Commercial Zinc/Clear Trivalent

DRAWING NUMBER:
TR32M4STMC

A4

PROJECTION

