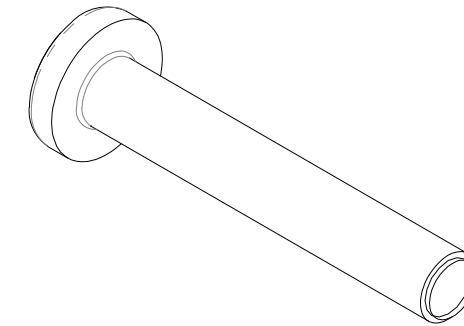
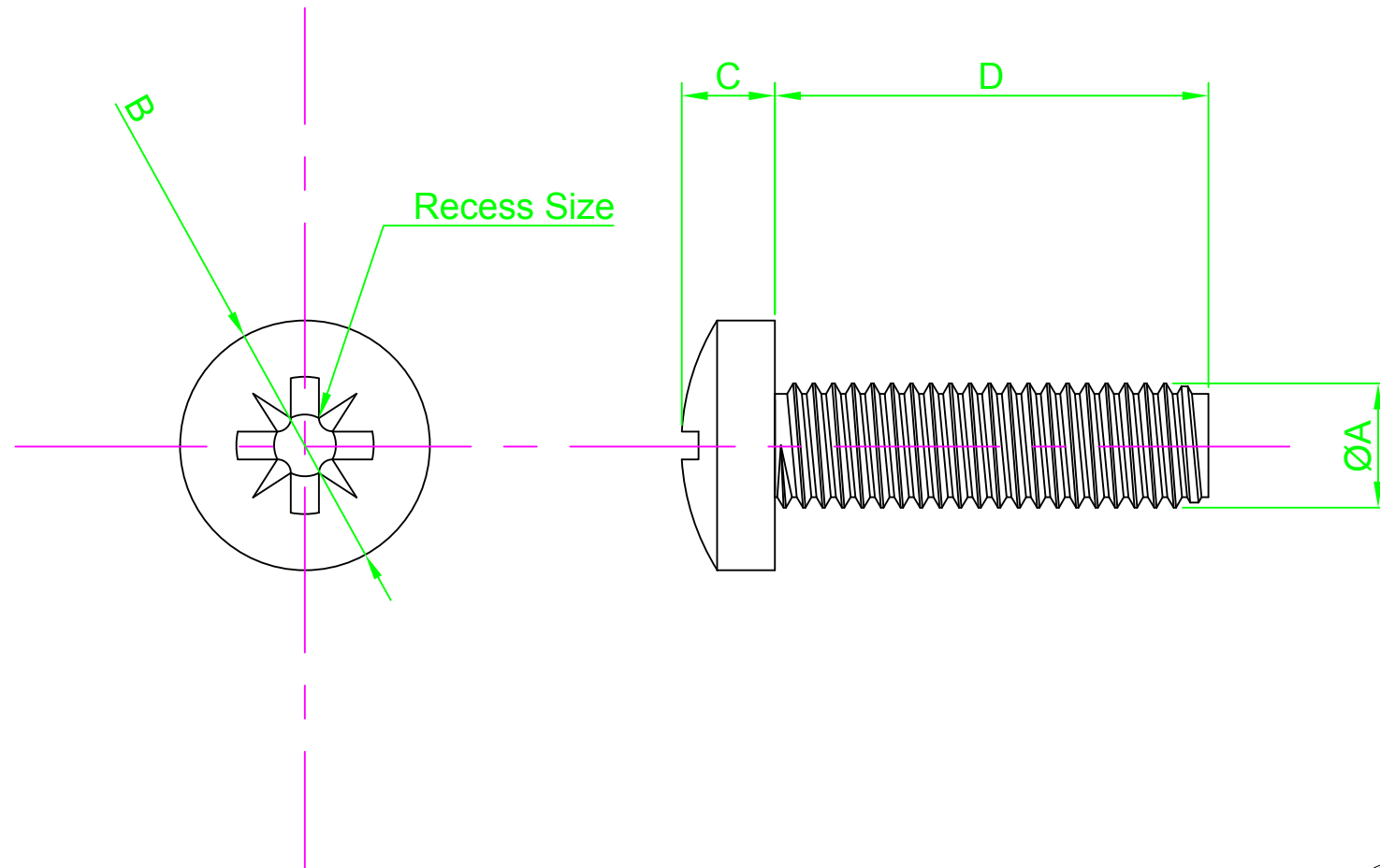


DO NOT SCALE DRAWING

REVISION

A INITIAL DRAWING 01.02.2016



| Part Number | ØA | B Nom | C Nom | D Length | Recess Size |
|-------------------|--------|-------|-------|----------|-------------|
| M3 10 PRBRMC N100 | M3-0.5 | 6.0 | 2.1 | 10.0 | Pozi #1 |
| M3 12 PRBRMC N100 | | | | 12.0 | |
| M4 10 PRBRMC N100 | M4-0.7 | 8.0 | 2.8 | 10.0 | Pozi #2 |
| M4 12 PRBRMC N100 | | | | 12.0 | |
| M5 10 PRBRMC N100 | M5-0.8 | 10.0 | 3.5 | 10.0 | Pozi #2 |

NOTES:



UNLESS OTHERWISE SPECIFIED:
DIMENSIONS ARE IN MM (MILLIMETERS).
SURFACE FINISH:
TOLERANCES: BS4183

MATERIAL:
Brass

TITLE:
Pozi Pan Head Machine Screw

| | NAME | DATE |
|--------|---------------|----------|
| DRAWN | Darryl Wilson | 01.02.16 |
| CHK'D | | |
| APP'VD | | |

HEAT TREATMENT:

DESIGN RIGHT. TR FASTENINGS LTD, 2003
UNDER NO CIRCUMSTANCES MUST THIS
DRAWING BE COPIED OR DISCLOSED
WITHOUT FIRST OBTAINING WRITTEN
AUTHORITY.

CUSTOMER PART NUMBER:
N/A

FINISH:
Commercial Bright Nickel Trivalent

DRAWING NUMBER:
TR32PRBRMCN100

A4

