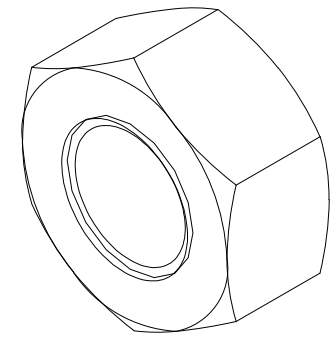
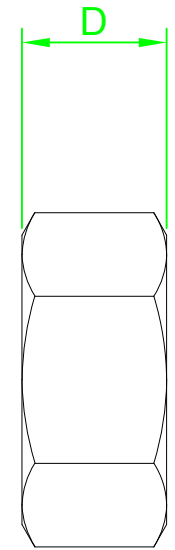
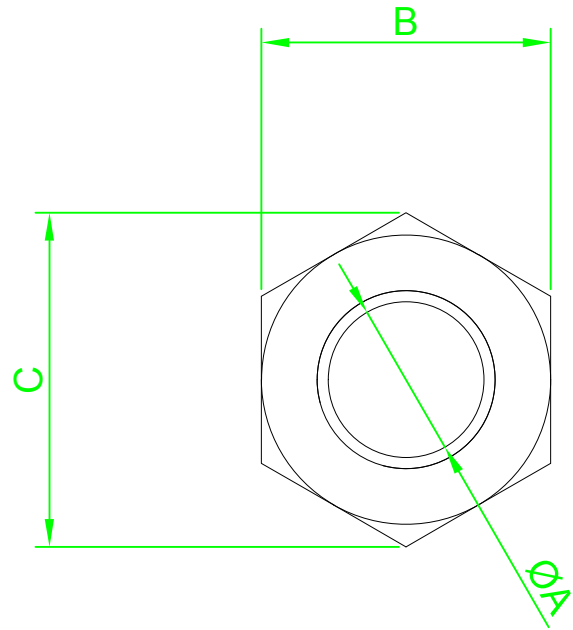


DO NOT SCALE DRAWING



REVISION

A INITIAL DRAWING 17.9.15

Part Number	ØA	B Nom	C Min	D Nom
M2 - HFBR- N100	M2-0.4	4	4.32	1.6
M2.5 - HFBR- N100	M2.5-0.45	5	5.45	2.0
M3.5 - HFBR- N100	M3.5-0.6	6	6.58	2.8
M5 - HFBR- N100	M5-0.8	8	8.79	4.0
M6 - HFBR- N100	M6-1.0	10	11.05	5.0

NOTES:



UNLESS OTHERWISE SPECIFIED:
DIMENSIONS ARE IN MM (MILLIMETERS).
SURFACE FINISH:
TOLERANCES: DIN 934

MATERIAL:
Brass

TITLE:
Hex Full Nut DIN 934

	NAME	DATE
DRAWN	Darryl Wilson	17.09.15
CHK'D		
APPVD		

HEAT TREATMENT:

DESIGN RIGHT. TR FASTENINGS LTD, 2003
UNDER NO CIRCUMSTANCES MUST THIS
DRAWING BE COPIED OR DISCLOSED
WITHOUT FIRST OBTAINING WRITTEN
AUTHORITY.

CUSTOMER PART NUMBER:
N/A

FINISH:
BN2 - Commercial Nickel Plated

DRAWING NUMBER:
TR32HFBR-

A4

