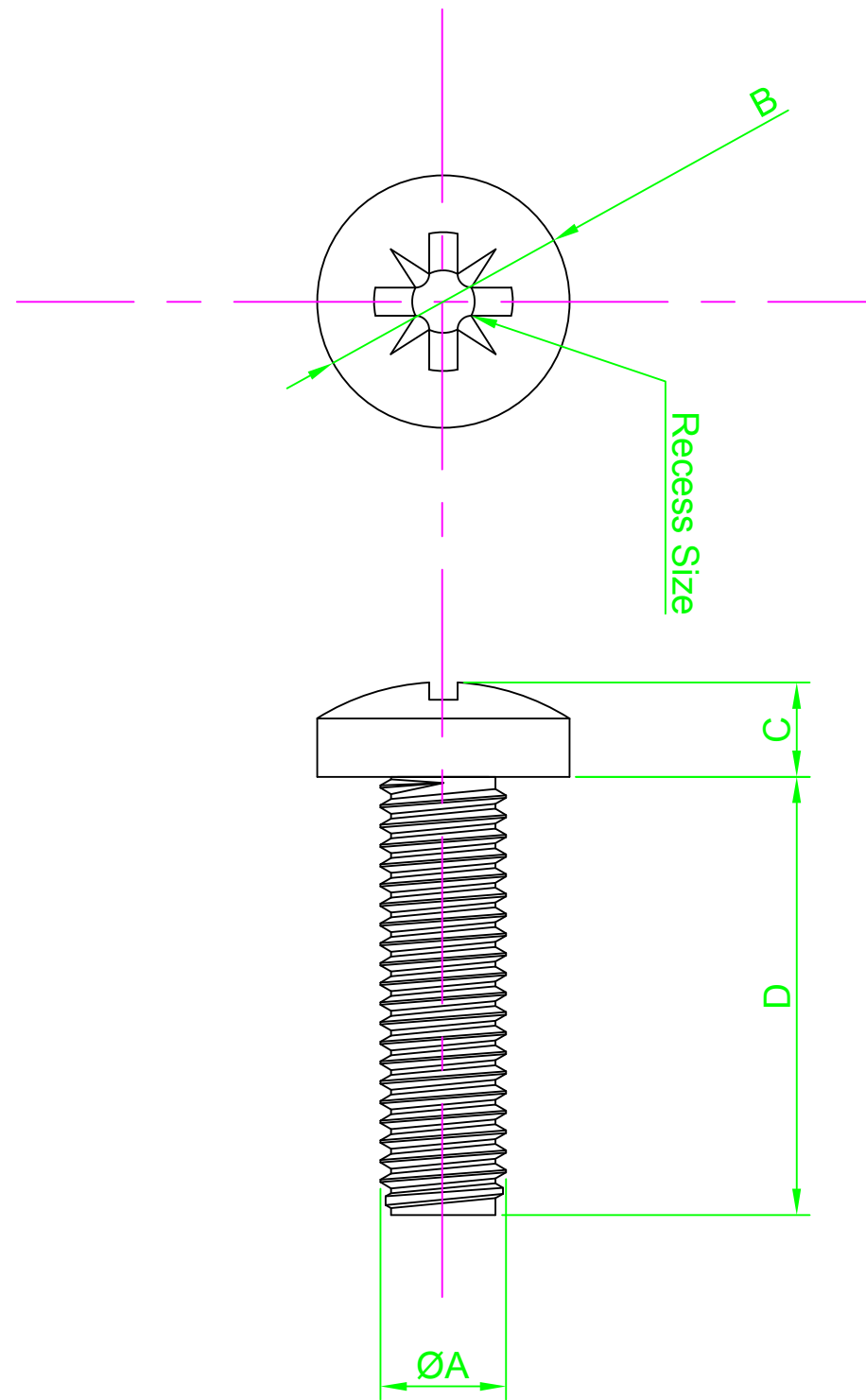
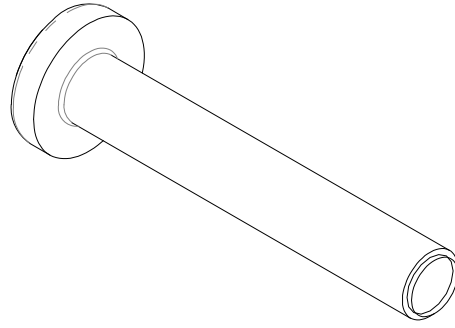


DO NOT SCALE DRAWING



REVISION

A INITIAL DRAWING 07.01.2016

Part Number	ØA	B Nom	C Nom	D Length	Recess Size
M3 6 PRSTMC B100	M3-0.5	6.0	2.4	6	Pozi #1
M3 10 PRSTMC B100				10	
M3 12 PRSTMC B100				12	
M4 6 PRSTMC B100	M4-0.7	8.0	3.1	6	Pozi #2
M4 10 PRSTMC B100				10	
M4 12 PRSTMC B100				12	
M5 12 PRSTMC B100	M5-0.8	10.0	3.8	12	Pozi #2
M5 16 PRSTMC B100				16	
M6 12 PRSTMC B100	M6-1.0	12.0	4.8	12	Pozi #3
M6 16 PRSTMC B100				16	
M6 20 PRSTMC B100				20	

NOTES:



UNLESS OTHERWISE SPECIFIED:
DIMENSIONS ARE IN MM (MILLIMETERS).
SURFACE FINISH:
TOLERANCES: DIN 7985

MATERIAL:
Steel

TITLE:
Pozi Pan Head Machine Screw DIN 7985

	NAME	DATE
DRAWN	Darryl Wilson	07.01.16
CHK'D		
APPVD		

HEAT TREATMENT:

DESIGN RIGHT. TR FASTENINGS LTD, 2003
UNDER NO CIRCUMSTANCES MUST THIS
DRAWING BE COPIED OR DISCLOSED
WITHOUT FIRST OBTAINING WRITTEN
AUTHORITY.

CUSTOMER PART NUMBER:
N/A

FINISH:
TB - Commercial Zinc/Black Trivalent

DRAWING NUMBER:
TR32PRSTMC-B100

A4

