



*Quality Products. Service Excellence.*

## Type 3R Painted Galvanized Steel Junction Box *C3R HCR SM Series*

Hinge Door with Snap Latch and w/ Knockouts



**Panel  
Sold  
Separately**



### Application

- Designed for use as a wiring/junction box.
- Provides protection against rain, sleet, snow and dripping water.

### Standards

- UL-50 Type 3R
- CSA Type 3R
- Complies with
  - NEMA Type 3R
  - IEC 60529, IP24

### Construction

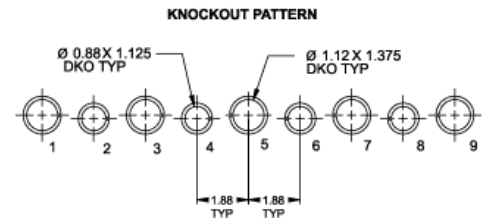
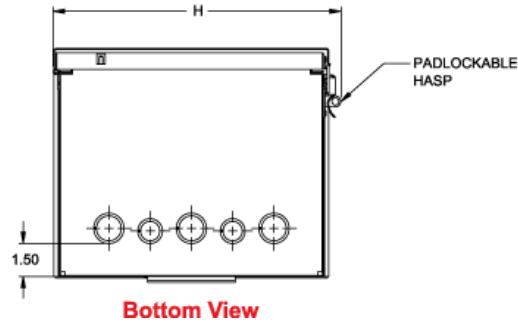
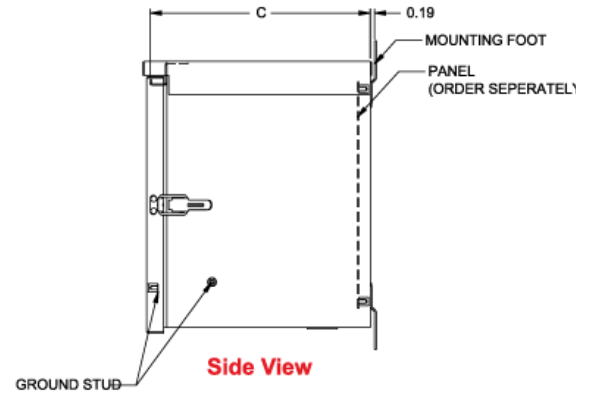
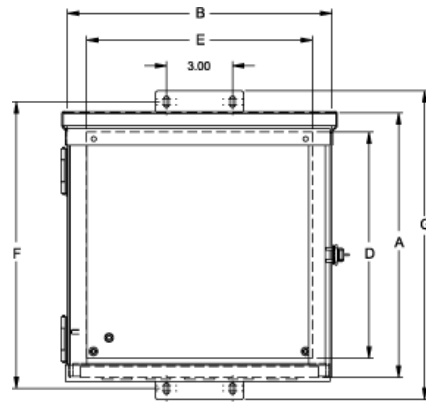
- Formed and spot welded from 16 gauge galvanized steel.
- Drip-shield top and seam-free sides, front and back.
- Galvanized steel hinge has stainless steel pin.
- Provisions for padlocking on zinc-plated draw pull catch.
- Easily removed knockouts on bottom of enclosure.
- Panel studs provided for mounting optional panels.
- External mounting feet.
- Oil resistant gaskets are permanently secured.

### Finish

- Enclosure and cover are finished in ANSI 61 gray powder coating.

### Accessories

- Panels for N1J Series Enclosures
- Perforated Panels for N1J Series Enclosures



Part No.	Optional Panel Part Number	Overall Dimensions									Knockout Pattern
		A	B	C	D	E	F	G	H		
C3R644HCR	N1JP64	6.00	4.00	4.00	4.25	2.25	7.00	8.00	5.10	2-3-4	
C3R664HCR	N1JP66	6.00	6.00	4.00	4.25	4.25	7.00	8.00	7.10	2-3-4	
C3R864HCR	N1JP86	8.00	6.00	4.00	6.25	4.25	9.00	10.00	7.10	2-3-4	
C3R886HCR	N1JP88	8.00	8.00	6.00	6.25	6.25	9.00	10.00	9.10	6-7-8-9	
C3R1086HCR	N1JP108	10.00	8.00	6.00	8.25	6.25	11.00	12.00	9.10	6-7-8-9	
C3R12106HCR	N1JP1210	12.00	10.00	6.00	10.25	8.25	13.00	14.00	11.10	3-4-5-6-7	
C3R12126HCR	N1JP1212	12.00	12.00	6.00	10.25	10.25	13.00	14.00	13.10	3-4-5-6-7	
C3R121210HCR	N1JP1212	12.00	12.00	10.00	10.25	10.25	13.00	14.00	13.10	3-4-5-6-7	

Data subject to change without notice

© 2018. Hammond Manufacturing Ltd. All rights reserved.