

# BNC Right Angle PCB Mount Jack Receptacle (Valox Housing)



RoHS  
Compliant

## Specifications

### Electrical

Frequency Range	: DC - 1GHz
Nominal Impedance	: 50Ω
Testing Voltage	: 500V <sub>RMS</sub>
Dielectric Withstanding Voltage	: 1500V <sub>RMS</sub>
Insulation Resistance	: 5000MΩ Min.

### Material

Body	: Zinc Alloy, Nickel Plated
Housing	: PBT + 30% GF (UL 94V-0)
Center Contact	: Phosphor Bronze, Gold Plated @ Contact Area & Tin Plated @ Tail
Solder Pin	: Copper Wire, Tin Plated
Insulation	: Polypropylene (UL 94HB)
Mounting Post	: Brass, Tin Plated
Lock Washer	: S50C, Nickel Plated
Nut	: Brass, Nickel Plated

### Mechanical

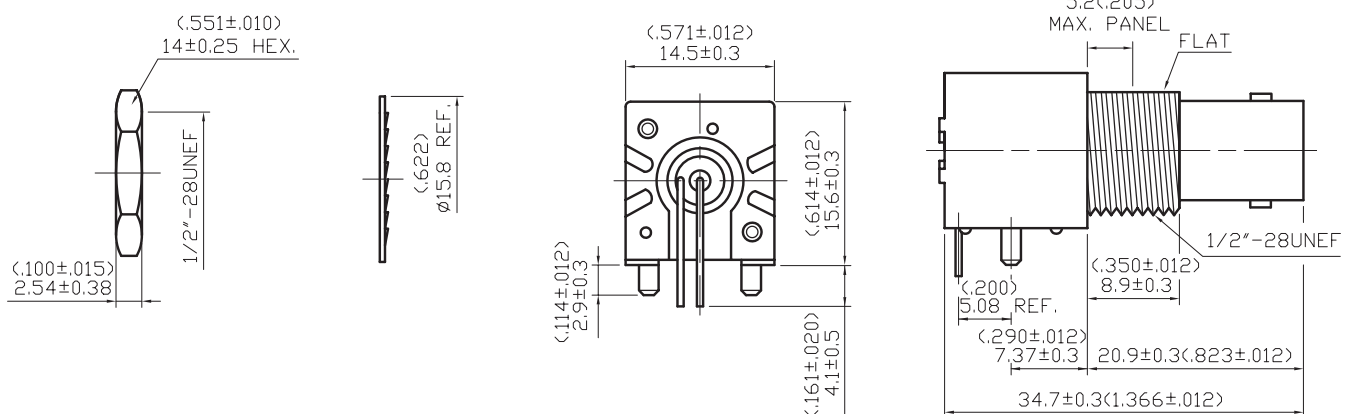
Mating / Unmating	: 500 Cycles
-------------------	--------------

### Environmental

Temperature Range	: -40°C to +60°C
Thermal Shock	: MIL-STD-202, Method 107
Physical Shock	: MIL-STD-202, Method 204

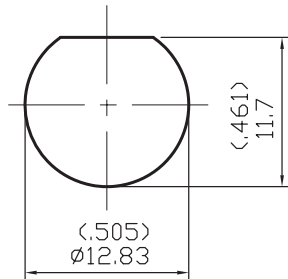


## Diagram

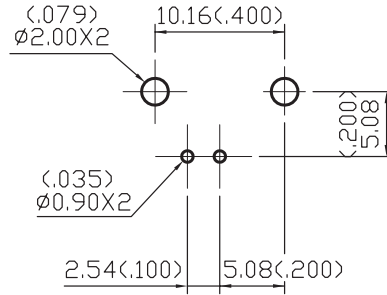


Dimensions : Millimetres (Inches)

# BNC Right Angle PCB Mount Jack Receptacle (Valox Housing)



MOUNTING HOLE



RECOMMEND PCB LAYOUT

Dimensions : Millimetres (Inches)

## Part Number Table

Description	Part Number
BNC Right Angle PCB Mount Jack Receptacle, Valox Housing, 50Ω	13-60-2 DGZ

**Important Notice :** This data sheet and its contents (the "Information") belong to the members of the Premier Farnell group of companies (the "Group") or are licensed to it. No licence is granted for the use of it other than for information purposes in connection with the products to which it relates. No licence of any intellectual property rights is granted. The Information is subject to change without notice and replaces all data sheets previously supplied. The Information supplied is believed to be accurate but the Group assumes no responsibility for its accuracy or completeness, any error in or omission from it or for any use made of it. Users of this data sheet should check for themselves the Information and the suitability of the products for their purpose and not make any assumptions based on information included or omitted. Liability for loss or damage resulting from any reliance on the Information or use of it (including liability resulting from negligence or where the Group was aware of the possibility of such loss or damage arising) is excluded. This will not operate to limit or restrict the Group's liability for death or personal injury resulting from its negligence. Multicomp is the registered trademark of the Group. © Premier Farnell Limited 2016.

www.element14.com  
www.farnell.com  
www.newark.com

