

BNC Right Angle PCB Mount Jack Receptacle (Metal Housing)



**RoHS
Compliant**



Specifications

Electrical

Frequency Range : DC - 1GHz
 Nominal Impedance : 50Ω
 Testing Voltage : 500V_{RMS}
 Dielectric Withstanding Voltage : 1500V_{RMS}
 Insulation Resistance : 5000MΩ Min.

Material

Body : Zinc Alloy, Nickel Plated
 Center Contact : Phosphor Bronze, Gold Plated
 @ Contact Area & Tin Plated @ Tail
 Solder Pin : Copper Wire, Tin Plated
 Insulation : Polypropylene (UL 94HB)
 Mounting Post : Brass, Tin Plated
 Lock Washer : S50C, Nickel Plated
 Nut : Brass, Nickel Plated

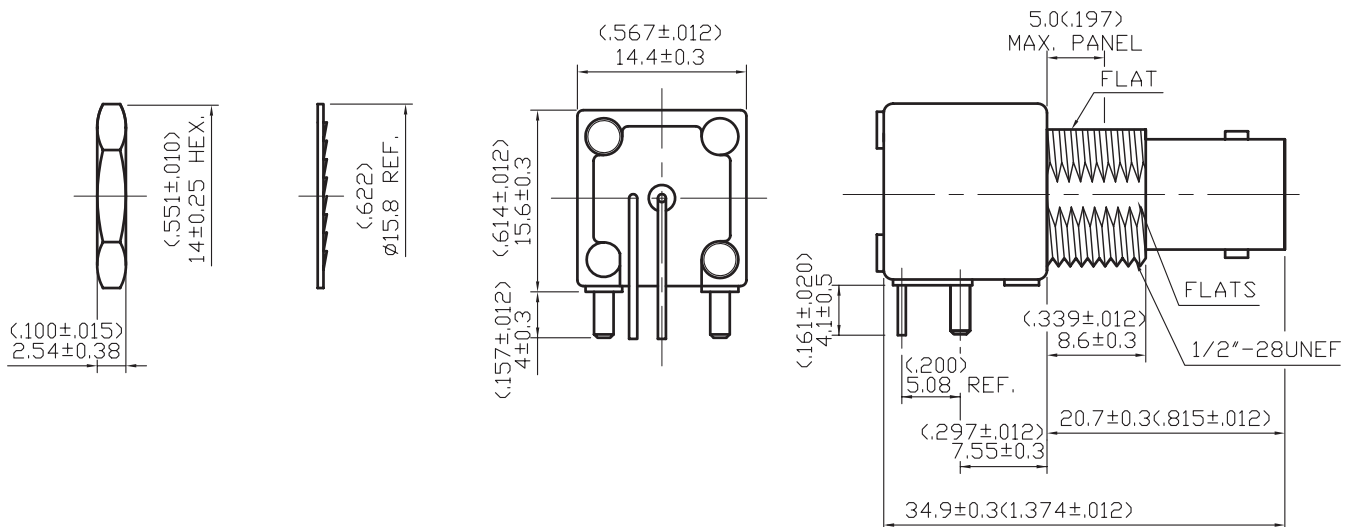
Mechanical

Mating / Unmating : 500 Cycles

Environmental

Temperature Range : -40°C to +60°C
 Thermal Shock : MIL-STD-202, Method 107
 Physical Shock : MIL-STD-202, Method 204

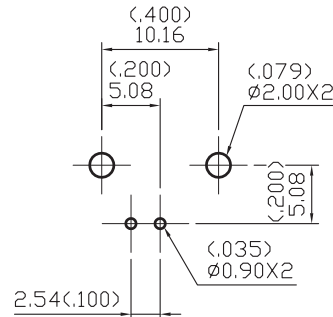
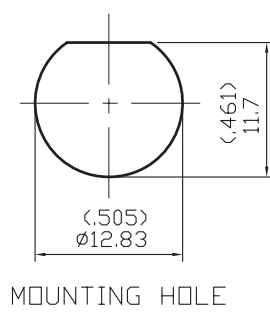
Diagram



Dimensions : (Inches) Millimetres



BNC Right Angle PCB Mount Jack Receptacle (Metal Housing)



Dimensions : (Inches) Millimetres

Part Number Table

Description	Part Number
BNC Right Angle PCB Mount Jack Receptacle, Metal Housing, 50Ω	13-60-3 DGZ

Important Notice : This data sheet and its contents (the "Information") belong to the members of the Premier Farnell group of companies (the "Group") or are licensed to it. No licence is granted for the use of it other than for information purposes in connection with the products to which it relates. No licence of any intellectual property rights is granted. The Information is subject to change without notice and replaces all data sheets previously supplied. The Information supplied is believed to be accurate but the Group assumes no responsibility for its accuracy or completeness, any error in or omission from it or for any use made of it. Users of this data sheet should check for themselves the Information and the suitability of the products for their purpose and not make any assumptions based on information included or omitted. Liability for loss or damage resulting from any reliance on the Information or use of it (including liability resulting from negligence or where the Group was aware of the possibility of such loss or damage arising) is excluded. This will not operate to limit or restrict the Group's liability for death or personal injury resulting from its negligence. Multicomp is the registered trademark of the Group. © Premier Farnell Limited 2016.

www.element14.com
www.farnell.com
www.newark.com

