



LB2 Premium-sound Cabinet Loudspeaker Range

LB2-UC15-D1/L1 | LB2-UC30-D1/L1



BOSCH

en Installation note

1 Installation

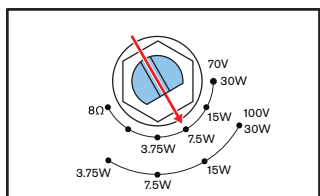
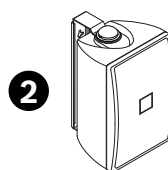
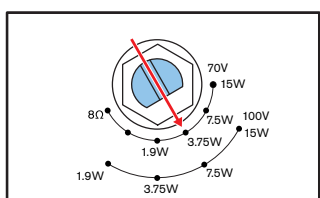
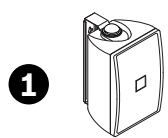
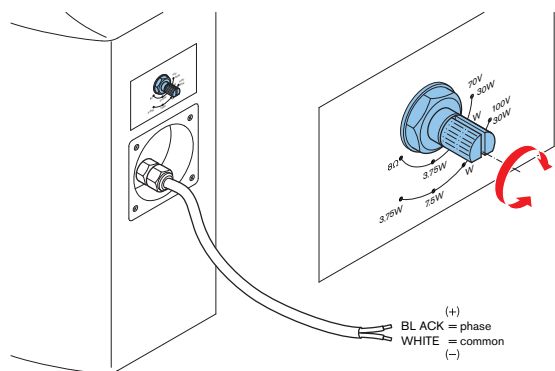


Fig. 1
(1) LB2-UC15-x1
(2) LB2-UC30-x1

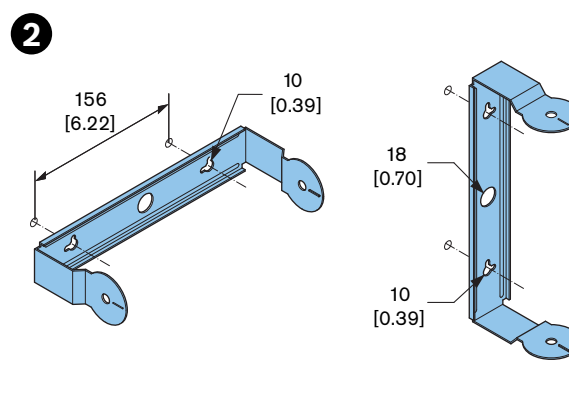
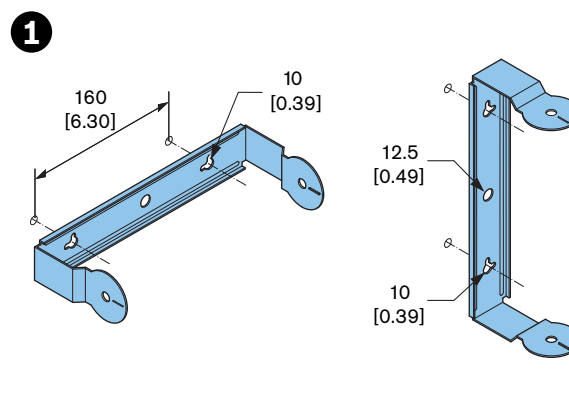


Fig. 2 Dimensions: mm [in]
(1) LB2-UC15-x1
(2) LB2-UC30-x1

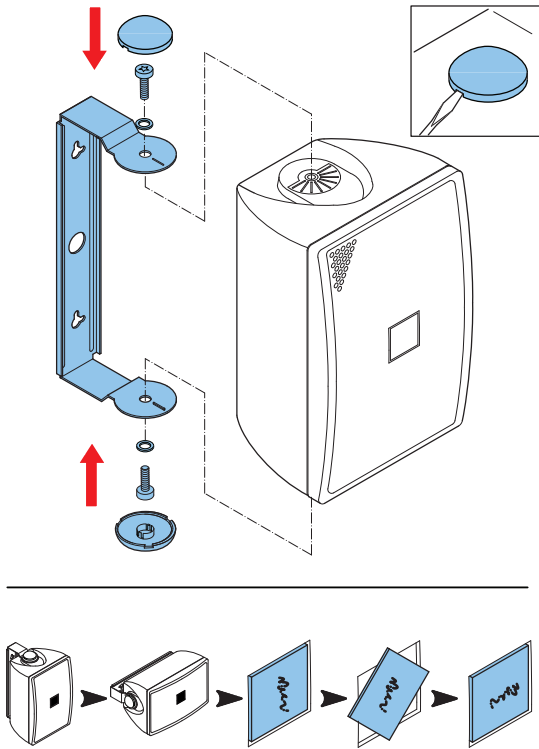


Fig. 3

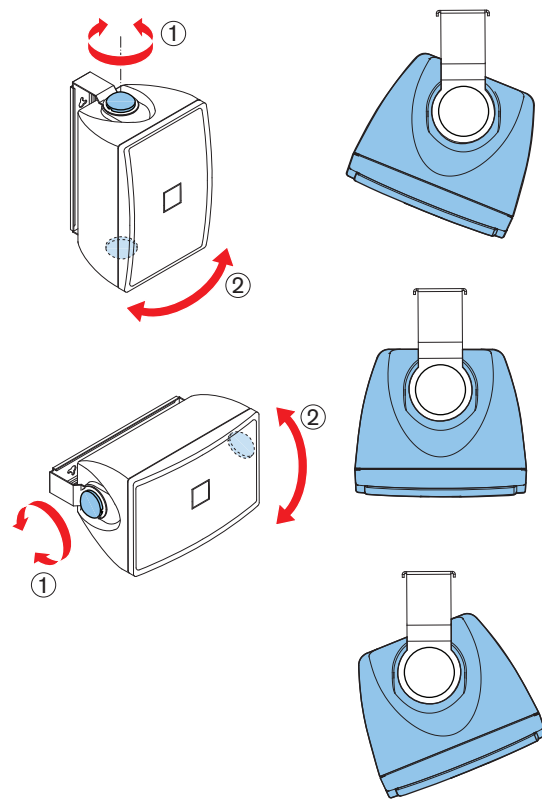


Fig. 4

2 Technical data

Electrical*

Product	LB2-UC15-D1 LB2-UC15-L1	LB2-UC30-D1 LB2-UC30-L1
Description	Premium-sound Cabinet Loudspeaker	Premium-sound Cabinet Loudspeaker
Maximum power	22.5 W	45 W
Rated power (PHC)	15 W	30 W
Power tapping	15/7.5/3.75/1.9 W	30/15/7.5/3.75 W
Sound pressure level at rated power / 1 W (1 kHz, 1 m)	99/87 dB (SPL)	105/90 dB (SPL)
Effective frequency range (-10 dB)	95 Hz to 20 kHz	100 Hz to 19 kHz
Opening angle at 1 kHz / 4 kHz (-6 dB)	184° / 112° (hor.) 170° / 35° (ver.)	166° / 83° (hor.) 140° / 76° (ver.)
Rated input voltage	11/70/100 V	15.5/70/100 V
Rated impedance	8/326/667 ohm	8/163/333 ohm
Transducers	101.6 mm (4") woofer, 13 mm (0.51 ") dome tweeter	127 mm (5") woofer, 13 mm (0.51 ") dome tweeter
Connection	2 m (78.8 in.) two-wire cable	2 m (78.8 in.) two-wire cable

* Technical performance data acc. to IEC 60268-5

Mechanical

Dimensions (HxWxD)	205x136x117 mm 8.07x5.35x4.60 in	250x 60x140 mm 9.84x6.30x5.51 in
Weight	Approx. 1.9 kg (4.18 lb)	Approx. 2.4 kg (5.29 lb)
Color	White (RAL 9010) (L) or Charcoal (RAL 7021) (D)	White (RAL 9010) (L) or Charcoal (RAL 7021) (D)

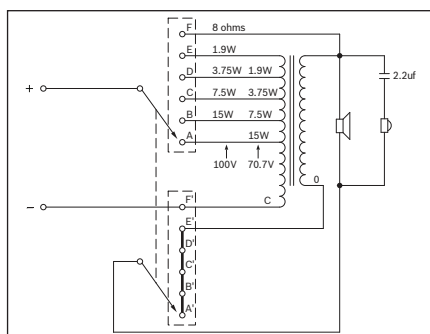
Environmental

Operating temperature	-25 °C to +55 °C (-13 °F to +131 °F)
Storage and transport temperature	-40 °C to +70 °C (-40 °F to +158 °F)
Relative humidity	<95%

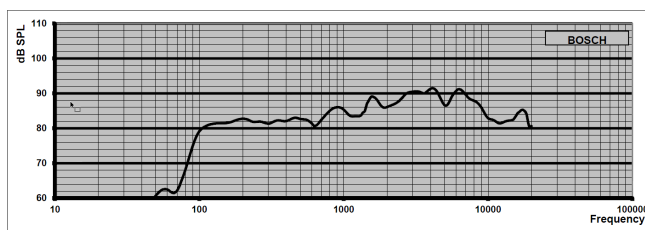
Certification and Approvals

Safety	acc. to EN 60065
Water and dust protection	acc. to EN 60529 Water Protection
Self extinguishing	acc. to UL94 V 0
Chlorine resistant	acc. to IEC60068-2-42
Corrosion resistant	acc. to IEC60068-2-52
Salt mist	acc. to IEC60068-2-11

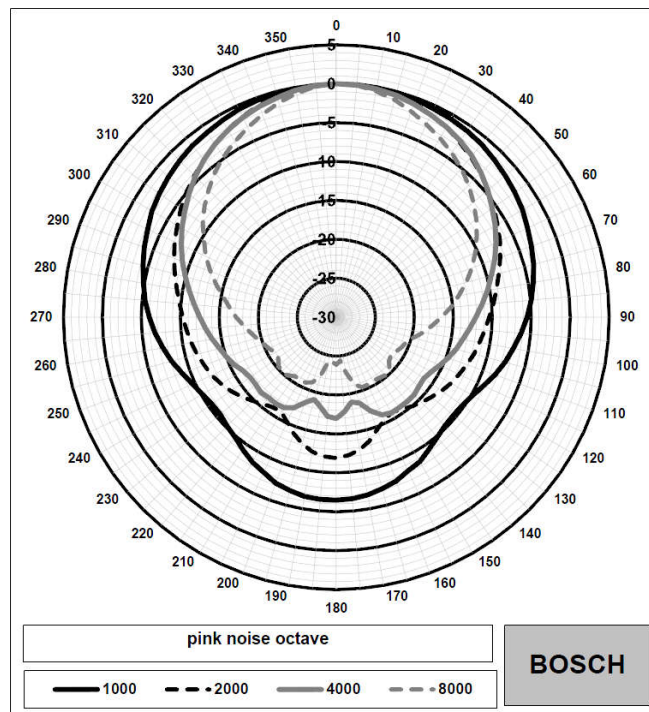
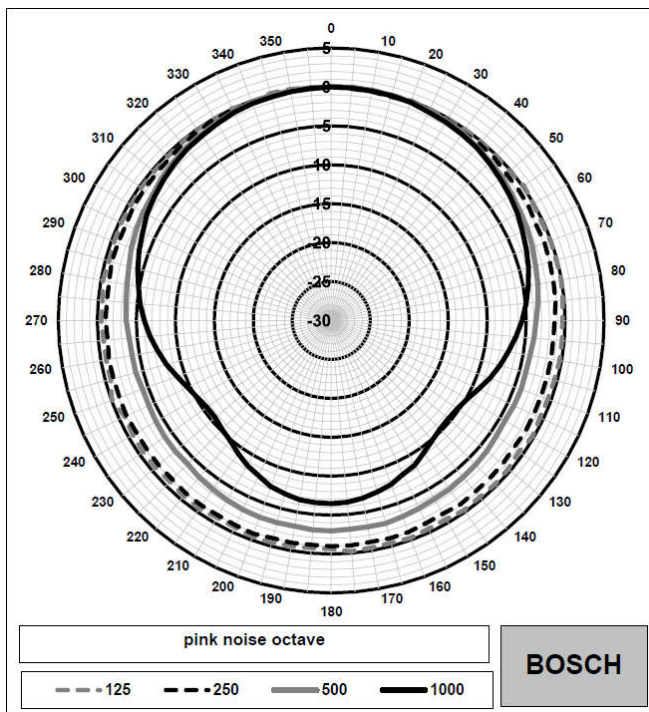
LB2-UC15-D1, LB2-UC15-L1



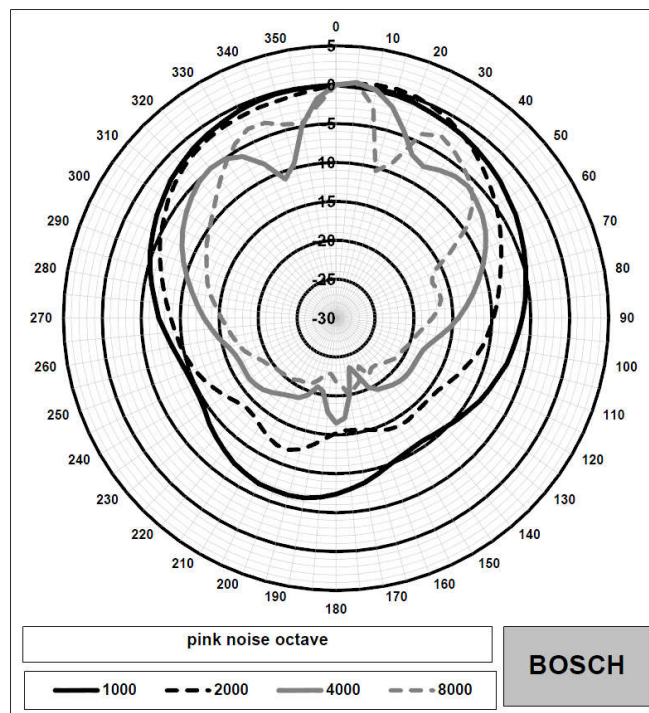
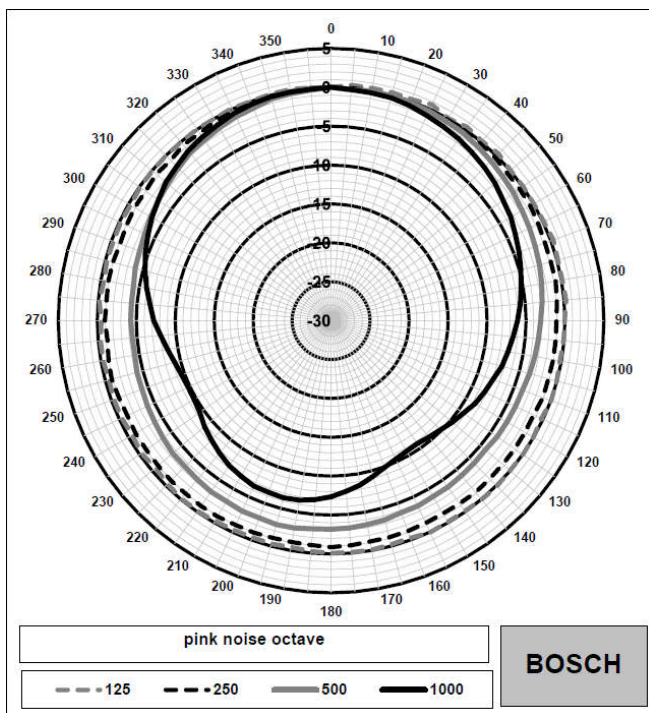
Circuit diagram



Frequency response

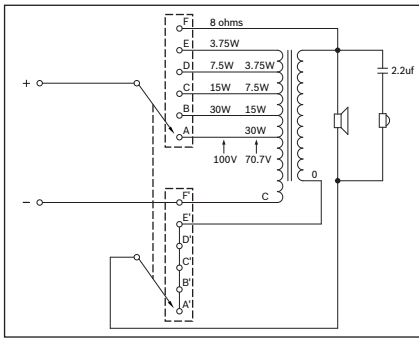


Polar diagram horizontal (measured with pink noise)

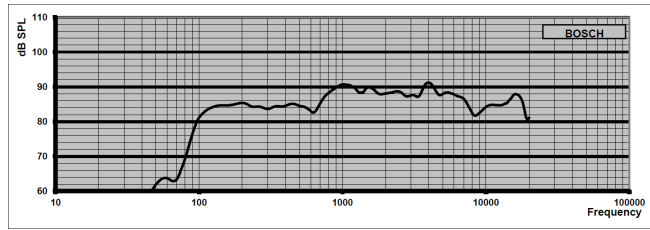


Polar diagram vertical (measured with pink noise)

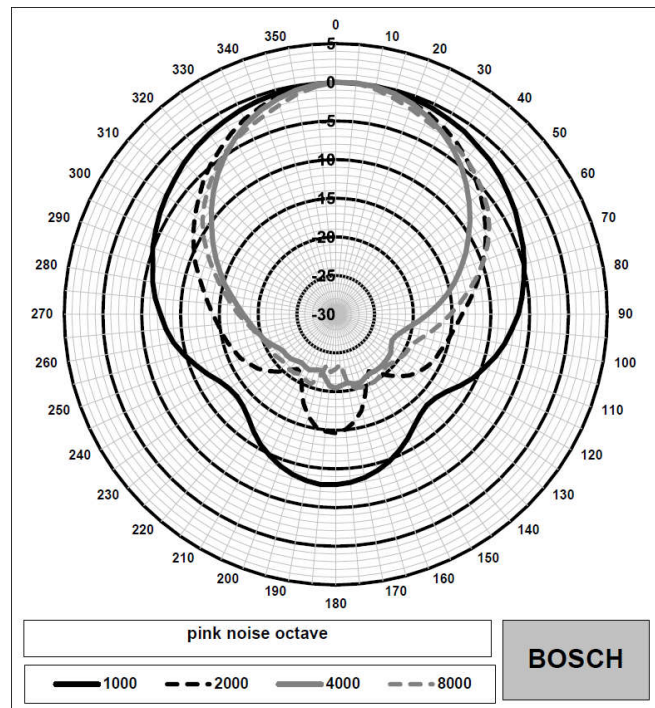
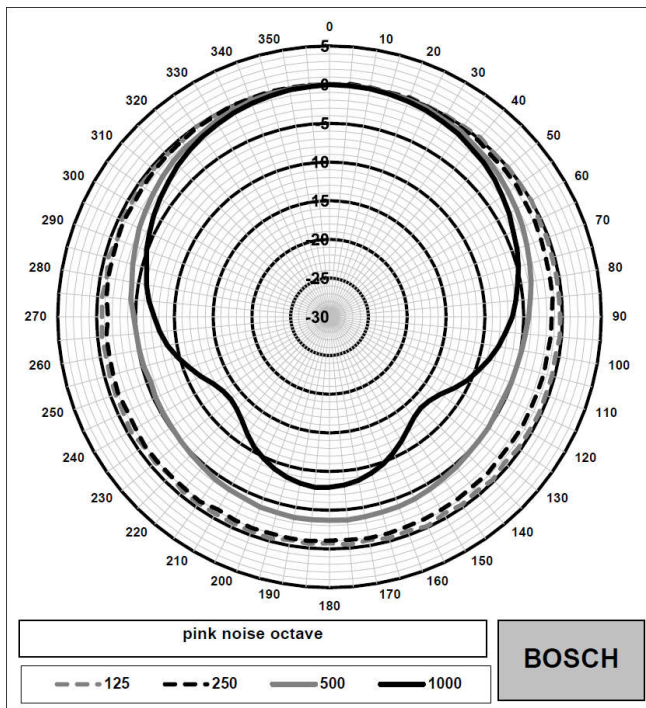
LB2-UC30-D1, LB2-UC30-L1



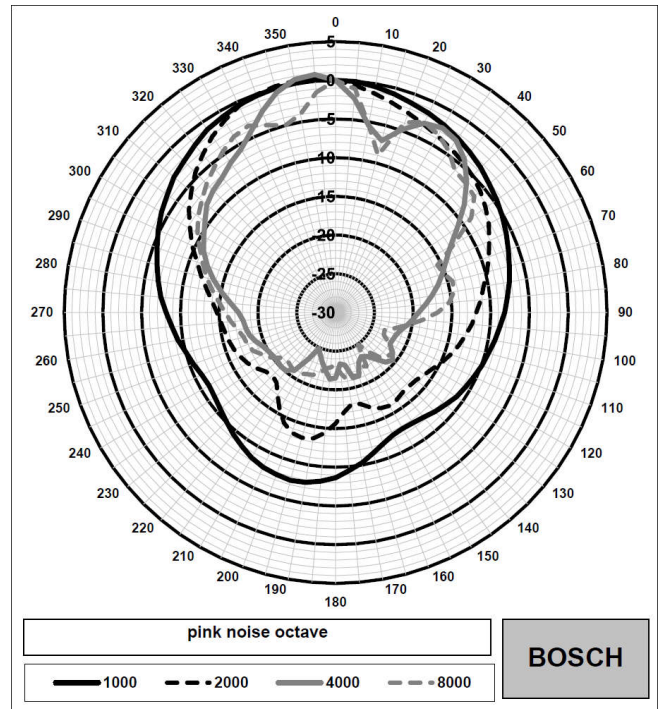
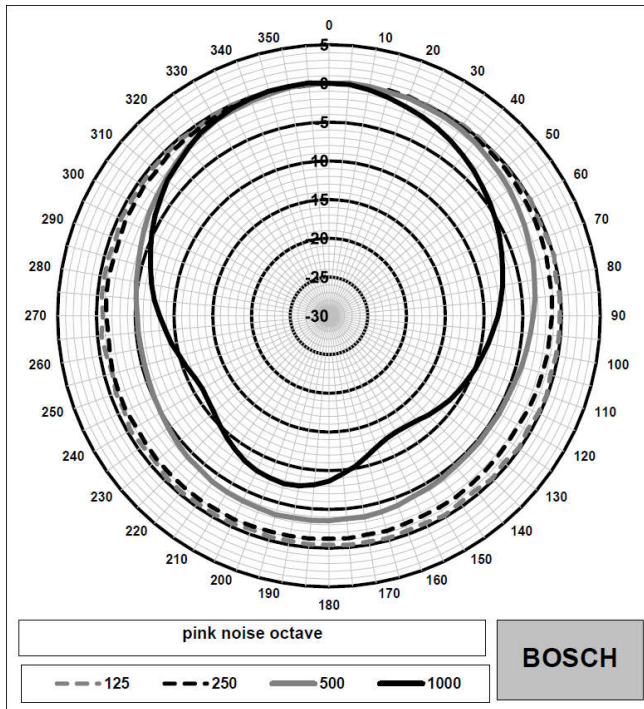
Circuit diagram



Frequency response



Polar diagram horizontal (measured with pink noise)



Polar diagram vertical (measured with pink noise)

Bosch Security Systems B.V.

Torenallee 49

5617 BA Eindhoven

Netherlands

www.boschsecurity.com

© Bosch Security Systems B.V., 2016