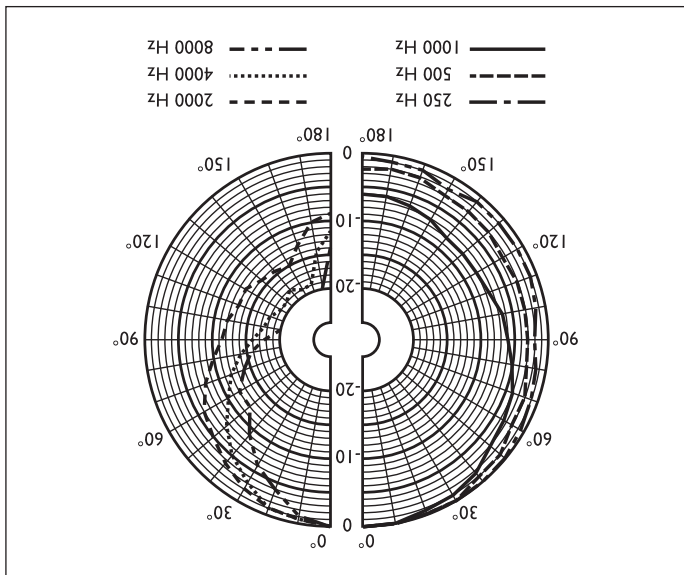
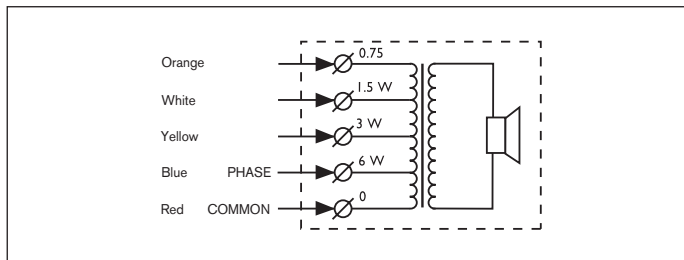


Weight	1.5 kg (3.3 lb)
Colour	off-white (RAL 9010)
Length	200 mm (7.87 in)
Diameter	165 mm (6.50 in)
Dimensions	
Length	2 m
Cable	5-wire
Connection	
Safety	acc. to EN 60065
Water protected	acc. to EN 60529 IP65
Ambient temperature range	-25°C to +55°C
Magnet weight	3.57 oz
Speaker size	4"
Rated impedance	1667 Ω
Rated voltage	100 V
Opening angle (at 1kHz/4kHz, -6dB)	180° / 90°
Effective frequency range (-10 dB)	130 Hz to 18 kHz
Sound pressure level at 6W/1W (at 1kHz,1m)	96 dB/88 dB (SPL)
Rated power (PHC)	6 W (6-3-1,5-075 W)
Max. power	9 W
LBC 3941/11	
Technical performance data acc. to IEC 268-5	

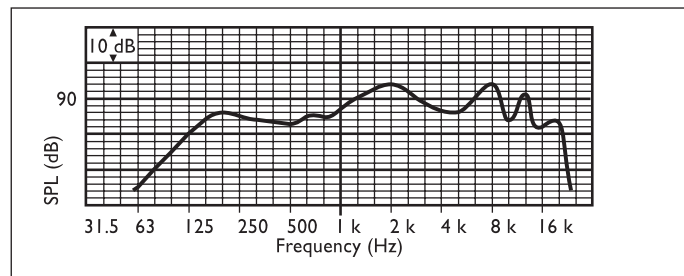
Polar diagram



LBC 3941/11

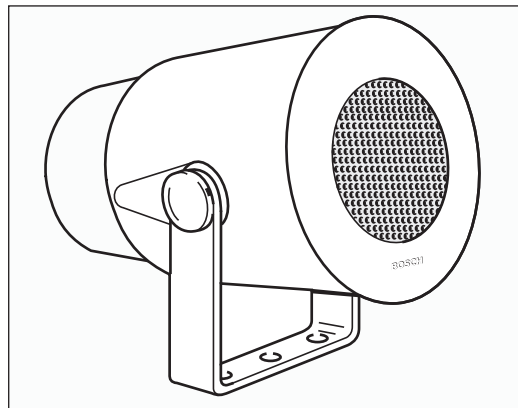


Circuit diagram



Frequency response

Loudspeakers



EN | Instructions for use
LBC 3941/11

