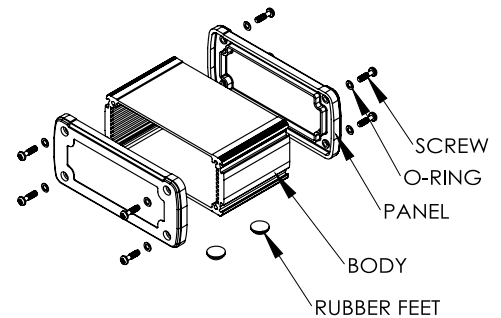


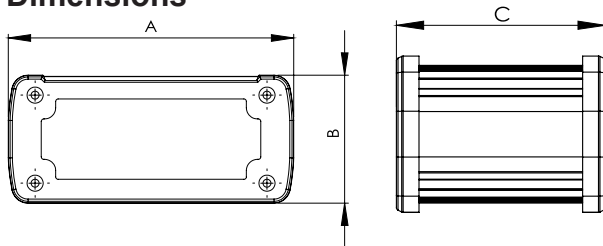
Extruded Aluminium Enclosure with Plastic End Panel



Specifications

Body Material	: Aluminium Extrusion 6063, Silver Anodized/Black Anodized
Panel Material	: Polycarbonate, UL 94V-0, Transparent/Black
O-Ring	: Ø6mm × 0.5mm, Polycarbonate, Transparent
Rubber Feet	: Ø12mm × 5mm, Rubber, Black
Screw	: M3.5 × 12mm, Stainless Steel SUS 304

Dimensions



Part Number	External Dimension (mm) A × B × C
MC002193	115.1 × 51.6 × 69
MC002194	115.1 × 51.6 × 119
MC002195	115.1 × 51.6 × 169

Part Number	External Dimension (mm) A × B × C
MC002196	115.1 × 51.6 × 69
MC002197	115.1 × 51.6 × 119
MC002198	115.1 × 51.6 × 169

Part Number Table

Description	Body Colour	Panel Colour	Part Number
Extruded Aluminium Enclosure with Plastic End Panel	Silver Anodized	Transparent	MC002193
			MC002194
			MC002195
	Black Anodized	Black	MC002196
			MC002197
			MC002198

Important Notice : This data sheet and its contents (the "Information") belong to the members of the Premier Farnell group of companies (the "Group") or are licensed to it. No licence is granted for the use of it other than for information purposes in connection with the products to which it relates. No licence of any intellectual property rights is granted. The Information is subject to change without notice and replaces all data sheets previously supplied. The Information supplied is believed to be accurate but the Group assumes no responsibility for its accuracy or completeness, any error in or omission from it or for any use made of it. Users of this data sheet should check for themselves the Information and the suitability of the products for their purpose and not make any assumptions based on information included or omitted. Liability for loss or damage resulting from any reliance on the Information or use of it (including liability resulting from negligence or where the Group was aware of the possibility of such loss or damage arising) is excluded. This will not operate to limit or restrict the Group's liability for death or personal injury resulting from its negligence. Multicomp is the registered trademark of the Group. © Premier Farnell Limited 2016.

