

DPPK Series D-Sub Connector Kit

RoHS
Compliant

Specifications

Gender : Plug, Receptacle
No. of Contacts : 9, 15, 25, 37 Contacts
Shell Size : DE, DA, DB, DC
Contact Termination : Solder
Kit Includes : D-Sub Connector & Hood

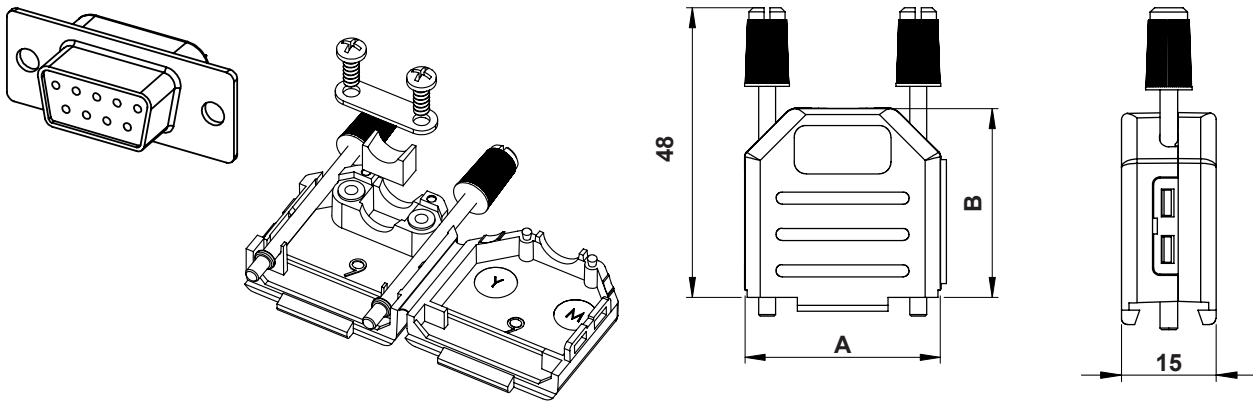
Hoods

Material : Nylon UL94V-2
Temperature Range : -55°C to +105°C
Cable Diameter : 3mm – 11mm

Connectors

Current Rating : 3A
Contact Resistance : 25mΩ Max.
Insulation Resistance : 1000MΩ Max. @ 500V
Dielectric Voltage : 1000V at 1 minute
Operating Range : -55°C to +105°C
Insulator Material : PBT, UL94V-0
Contacts Material : Brass, Au over Ni Plating
Shell Material : Brass, Sn Plating

Diagram



Type	A	B
MC-DPPK9	32.4mm	31.3mm
MC-DPPK15	40.7mm	30.8mm
MC-DPPK25	54.4mm	37.3mm
MC-DPPK37	70.9mm	36mm

Dimensions : Millimetres

www.element14.com
www.farnell.com
www.newark.com



DPPK Series D-Sub Connector Kit

Part Number Table

Description	Part Number
Connector Kit, D-Sub + Hood, 9Pos, Plug, Size DE, Solder	MC-DPPK9-P-SDR-K
Connector Kit, D-Sub + Hood, 9Pos, Receptacle, Size DE, Solder	MC-DPPK9-S-SDR-K
Connector Kit, D-Sub + Hood, 15Pos, Plug, Size DA, Solder	MC-DPPK15-P-SDR-K
Connector Kit, D-Sub + Hood, 15Pos, Receptacle, Size DA, Solder	MC-DPPK15-S-SDR-K
Connector Kit, D-Sub + Hood, 25Pos, Plug, Size DB, Solder	MC-DPPK25-P-SDR-K
Connector Kit, D-Sub + Hood, 25Pos, Receptacle, Size DB, Solder	MC-DPPK25-S-SDR-K
Connector Kit, D-Sub + Hood, 37Pos, Plug, Size DC, Solder	MC-DPPK37-P-SDR-K
Connector Kit, D-Sub + Hood, 37Pos, Receptacle, Size DC, Solder	MC-DPPK37-S-SDR-K

Important Notice : This data sheet and its contents (the "Information") belong to the members of the Premier Farnell group of companies (the "Group") or are licensed to it. No licence is granted for the use of it other than for information purposes in connection with the products to which it relates. No licence of any intellectual property rights is granted. The Information is subject to change without notice and replaces all data sheets previously supplied. The Information supplied is believed to be accurate but the Group assumes no responsibility for its accuracy or completeness, any error in or omission from it or for any use made of it. Users of this data sheet should check for themselves the Information and the suitability of the products for their purpose and not make any assumptions based on information included or omitted. Liability for loss or damage resulting from any reliance on the Information or use of it (including liability resulting from negligence or where the Group was aware of the possibility of such loss or damage arising) is excluded. This will not operate to limit or restrict the Group's liability for death or personal injury resulting from its negligence. Multicomp is the registered trademark of the Group. © Premier Farnell Limited 2016.