

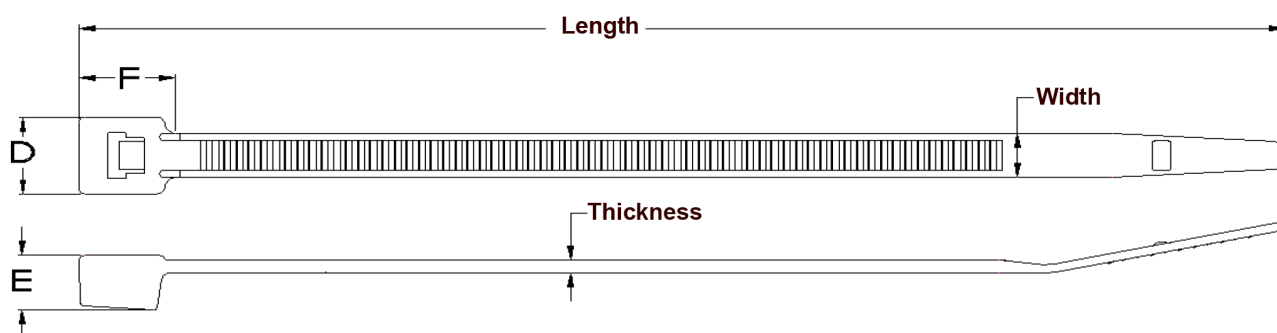
18lb. Miniature Cable Ties



Specifications

Type	: Miniature
Material	: Nylon 6.6 / Polyamide
Colour	: UV Black, Natural
Min. Loop Tensile Strength	: 18lb. (80N)
Operating Temperature	: -40°F to +185°F
Flammability Rating	: UL 94V-2
Plenum Rating	: AH-2

Diagram



Dimensions

Part Number	Bundle Diameter		Length	Thickness	Width	D	E	F
	Min. Inches (mm)	Max. Inches (mm)	Inches (mm)	Inches (mm)	Inches (mm)	Inches (mm)	Inches (mm)	Inches (mm)
PP002191	0.062 (1.57)	0.874 (22.2)	4.125 (104.775)	0.042 (1.066)	0.095 (2.413)	0.18 (4.572)	0.15 (3.81)	0.22 (5.588)
PP002192								
PP002189								
PP002190		1.5 (38.1)	6.187 (157.149)					
PP002195								
PP002196								
PP002193		2.187 (55.5)	8.187 (207.949)					
PP002194								
PP002199								
PP002200								
PP002197								
PP002198								

Part Number Table

Description	Part Number
18lb. Miniature Cable Tie, 4", Nylon 6.6, UV Black, PK100	PP002191
18lb. Miniature Cable Tie, 4", Nylon 6.6, UV Black, PK1000	PP002192
18lb. Miniature Cable Tie, 4", Nylon 6.6, Natural, PK100	PP002189
18lb. Miniature Cable Tie, 4", Nylon 6.6, Natural, PK1000	PP002190
18lb. Miniature Cable Tie, 6", Nylon 6.6, UV Black, PK100	PP002195
18lb. Miniature Cable Tie, 6", Nylon 6.6, UV Black, PK1000	PP002196
18lb. Miniature Cable Tie, 6", Nylon 6.6, Natural, PK100	PP002193
18lb. Miniature Cable Tie, 6", Nylon 6.6, Natural, PK1000	PP002194
18lb. Miniature Cable Tie, 8", Nylon 6.6, UV Black, PK100	PP002199
18lb. Miniature Cable Tie, 8", Nylon 6.6, UV Black, PK1000	PP002200
18lb. Miniature Cable Tie, 8", Nylon 6.6, Natural, PK100	PP002197
18lb. Miniature Cable Tie, 8", Nylon 6.6, Natural, PK1000	PP002198

Important Notice : This data sheet and its contents (the "Information") belong to the members of the Premier Farnell group of companies (the "Group") or are licensed to it. No licence is granted for the use of it other than for information purposes in connection with the products to which it relates. No licence of any intellectual property rights is granted. The Information is subject to change without notice and replaces all data sheets previously supplied. The Information supplied is believed to be accurate but the Group assumes no responsibility for its accuracy or completeness, any error in or omission from it or for any use made of it. Users of this data sheet should check for themselves the Information and the suitability of the products for their purpose and not make any assumptions based on information included or omitted. Liability for loss or damage resulting from any reliance on the Information or use of it (including liability resulting from negligence or where the Group was aware of the possibility of such loss or damage arising) is excluded. This will not operate to limit or restrict the Group's liability for death or personal injury resulting from its negligence. pro-POWER is the registered trademark of the Group. © Premier Farnell Limited 2016.