

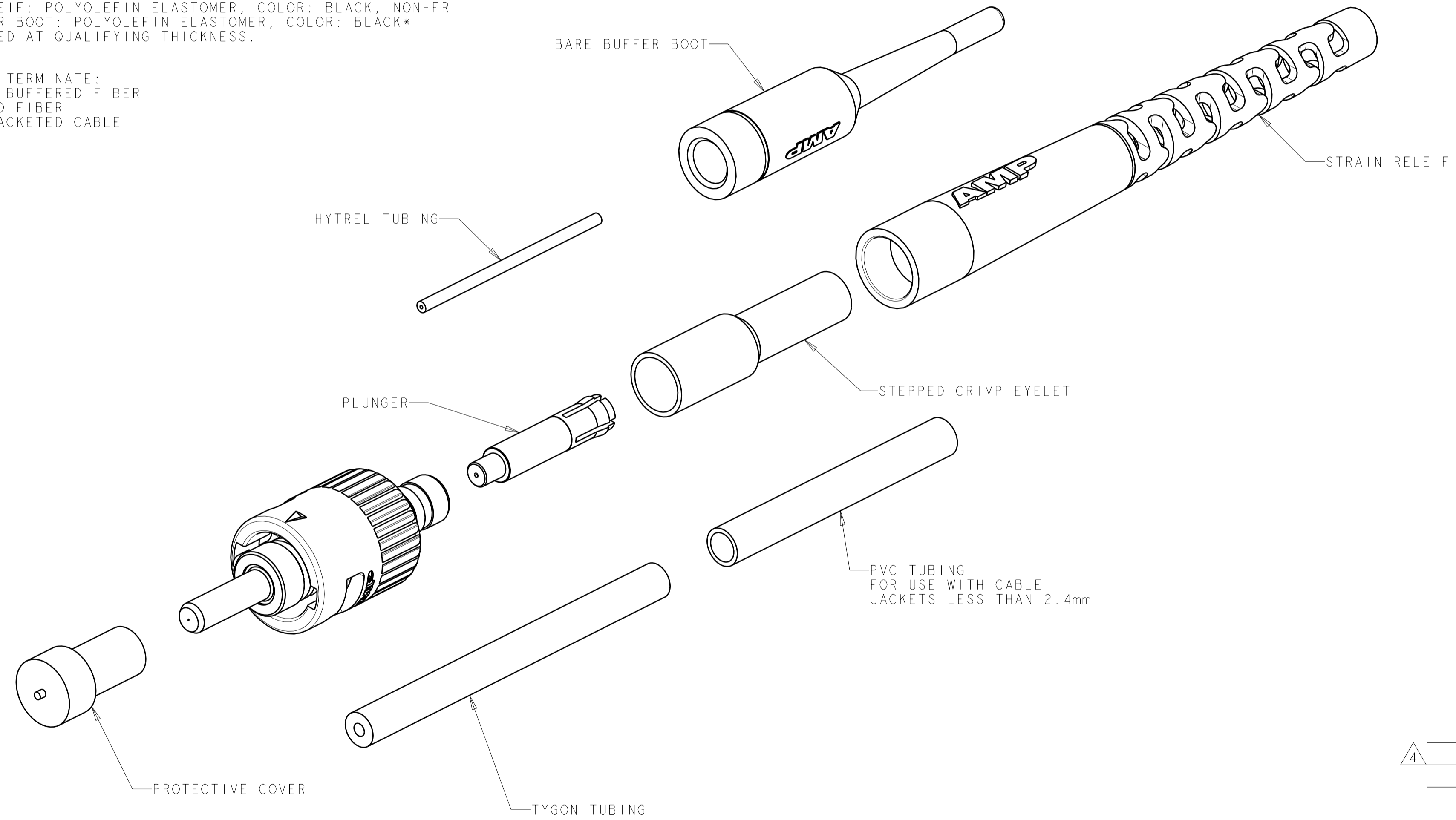
THIS DRAWING IS UNPUBLISHED. RELEASED FOR PUBLICATION .19
 © COPYRIGHT 19 BY AMP INCORPORATED. ALL RIGHTS RESERVED.

LOC	DIST	REVISIONS			
F	LTR	DESCRIPTION	DATE	DWN	APVD
CE	00	A	RELEASE TO ACTIVE	08JUN2006	BB LS

- 1 MATERIAL:
 CONNECTOR ASSEMBLY:
 REAR BODY: GLASS FILLED POLYESTER, PBT
 PLUNGER: ALUMINUM ALLOY
 FERRULE: MINERAL FILLED PAS*
 COUPLING NUT: NICKEL PLATED ZINC
 INTERNAL COMPONENTS: RUBBER, COLOR: BLACK
 SPRING: STAINLESS STEEL
 PROTECTIVE COVER: LDPE, COVER: BLACK, NON-FR
 STEPPED CRIMP EYELET: NICKEL PLATED COPPER
 POLYMER TUBING: TYGON, COLOR: CLEAR
 HYTREL, COLOR: WHITE
 PVC, COLOR: BLACK
 STRAIN RELEIF: POLYOLEFIN ELASTOMER, COLOR: BLACK, NON-FR
 BARE BUFFER BOOT: POLYOLEFIN ELASTOMER, COLOR: BLACK*
 *UL94 V-0 RATED AT QUALIFYING THICKNESS.

2. THIS KIT WILL TERMINATE:
 900um TIGHT BUFFERED FIBER
 250um COATED FIBER
 2.0-3.0mm JACKETED CABLE

3 BULK PACKAGE.



4	5492168-2
	5492168-1
	PART NO

THIS DRAWING IS A CONTROLLED DOCUMENT FOR AMP INCORPORATED. IT IS SUBJECT TO CHANGE AND THE CONTROLLING ENGINEERING ORGANIZATION SHOULD BE CONTACTED FOR THE LATEST REVISION.		DWN B. BRIGGS 02DEC2005	AMP Incorporated Harrisburg, PA 17105-3608	
DIMENSIONS: mm		CHK L. SAUERWEIN 02DEC2005	NAME CONNECTOR KIT, LightCrimp NeXTC, 125µm	
TOLERANCES UNLESS OTHERWISE SPECIFIED: 0 PLC ± 1 PLC ±0.1 2 PLC ±0.02 3 PLC ±0.005 4 PLC ±0.0005 ANGLES ± FINISH -		APVD S. BUCHTER 02DEC2005	RESTRICTED TO	
MATERIAL		PRODUCT SPEC	SIZE A2	CAGE CODE 00779
DRAWING NO 5492168		APPLICATION SPEC	DRAWING NO 5492168	REV A
CUSTOMER DRAWING		WEIGHT	SCALE 4:1	SHEET 1 OF 1