

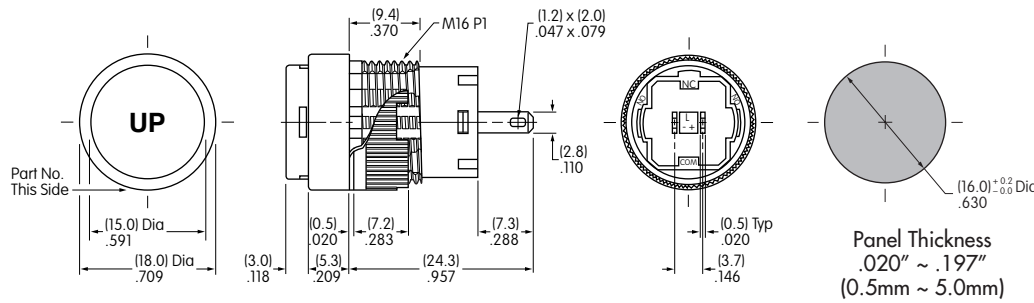
YB02VA001

Bushing Mounting • Splashproof

Dimensions in mm/inch

PANEL CUTOUT

LEGEND SPECIFICATIONS



Legend	UP
Type Style	Helvetica Bold
Type Size	10 Point
Legend Color	Black
Print Method	Laser Etch on Inside of Lens

Legend shown is illustrative only. Actual art may vary.

BASE INDICATOR

ROUND CAP

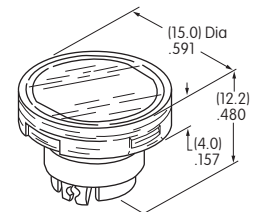
AT3005JB
Round Cap

Part Number

YB02WKW01

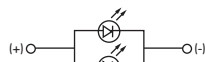
Clear Lens
White Insert

Materials: Polycarbonate (Lens & Insert)
Thermoplastic Elastomer (Seal/Diffuser)
Finish: Glossy



ELECTRICAL SPECIFICATIONS FOR LED

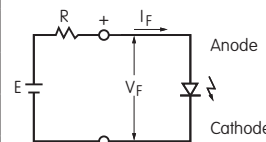
Bright LED
AT628C



T-1 Bi-pin

LED does not come with a resistor		
Color	Red	
Maximum Forward Current	I_{FM}	40mA
Typical Forward Current	I_F	26mA
Forward Voltage	V_F	1.9V
Maximum Reverse Voltage	V_{RM}	4V
Current Reduction Rate Above 25°C	ΔI_F	0.50mA/°C
Ambient Temperature Range		-25°C ~ +50°C

The electrical specifications shown are determined at a basic temperature of 25°C. If the source voltage exceeds the rated voltage, a ballast resistor is required. The following diagram and formula will assist in calculating the value of the ballast resistor.



$$R = \frac{E - V_F}{I_F}$$

Where: R = Resistor Value (Ohms)
E = Source Voltage (V)
 V_F = Forward Voltage (V)
 I_F = Forward Current (A)

Base Indicator Specifications

Materials & Finishes

Housing/Bezel:	Glass fiber reinforced polyamide (UL94V-0)
Base:	Glass fiber reinforced polyamide (UL94V-0)
Lamp Terminals:	Phosphor bronze with tin plating

Environmental Data

Operating Temperature Range:	-25°C through +50°C (-13°F through +122°F)
Humidity:	90 ~ 95% humidity for 96 hours @ 40°C (104°F)
Vibration:	10 ~ 55Hz with peak-to-peak amplitude of 1.5mm traversing the frequency range & returning in 1 minute; 3 right angled directions for 2 hours
Shock:	50G (490m/s ²) acceleration (tested in 6 right angled directions, with 5 shocks in each direction)
Sealing:	IP65 of IEC60529 standard for panel seal models

RoHS Compliant:



Installation

Mounting Torque:	0.785Nm (6.95 lb•in) maximum
Quick Connect Force:	24.5N maximum downward force on connector
Soldering Time & Temperature:	Manual Soldering: 390°C for 4 seconds, 2 cycles

Standards & Certifications

Flammability Standards:	UL94-0 housing & base
--------------------------------	-----------------------