

Plastic Hoods

L17DPPK-BK+D-Sub Solder Cup

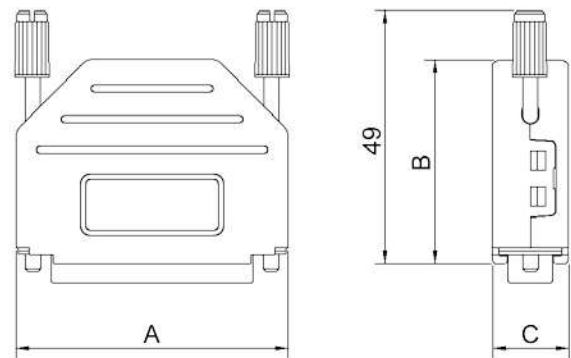
TECHNICAL SPECIFICATIONS

D-Sub Hood:

Housing material: Polyamid, UL-recognised
 Operating Temperature: -55°C to +105°C
 Cable Entry: Top
 Thumbscrews: UNC 4-40 (Standard)
 Cable O.D: 9-way: Up to 8mm
 15-25-37-way: Up to 11,5mm

Standard D-Sub Solder Cup:

Insulator: Glass filled TP, UL94 V-0
 Shell: Steel, Tin Plated
 Contact pins: Copper Alloy
 Gold Flash over Ni.
 Stamped & Formed Pins: Class 3, 100 inserts min.
 Contact Plating: Gold flash over Nickel
 Operating Temperature: -55°C to +85°C
 Withstanding voltage: >1000V Rms to 50 Hz
 for 1 minute
 Current Rating: 5A
 Insulator resistance: >5000MΩ min.



Features:

- Available in sizes 9-15-25-37
- Re-openable

Size DPPK-P	Dim A	Dim B	Dim C
9-way	31,5	34,0	15,0
15-way	40,0	34,0	15,0
25-way	53,5	34,0	15,0
37-way	70,0	40,0	15,0

Ordering information:

Standard D-Sub Connector Kits

Size:	P/N - Kitted:	Description:
9-way	L17DPPK09-BK+L717SDE09P	Solder Cup, 9-Male
15-way	L17DPPK15-BK+L717SDA15P	Solder Cup, 15-Male
25-way	L17DPPK25-BK+L717SDB25P	Solder Cup, 25-Male
37-way	L17DPPK37-BK+L717SDC37P	Solder Cup, 37-Male

Size:	P/N - Kitted:	Description:
9-way	L17DPPK09-BK+L77SDE09S	Solder Cup, 9-Female
15-way	L17DPPK15-BK+L77SDA15S	Solder Cup, 15-Female
25-way	L17DPPK25-BK+L77SDB25S	Solder Cup, 25-Female
37-way	L17DPPK37-BK+L77SDC37S	Solder Cup, 37-Female