

Plastic Hoods

L17DPPK-BK+D-Sub Solder Cup

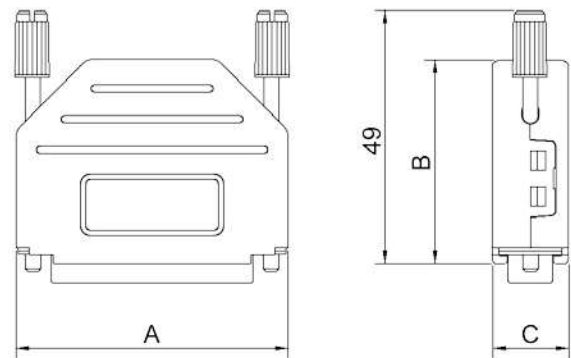
TECHNICAL SPECIFICATIONS

**D-Sub Hood:**

Housing material: Polyamid, UL-recognised  
 Operating Temperature: -55°C to +105°C  
 Cable Entry: Top  
 Thumbscrews: UNC 4-40 (Standard)  
 Cable O.D: 9-way: Up to 8mm  
 15-25-37-way: Up to 11,5mm

**Standard D-Sub Solder Cup:**

Insulator: Glass filled TP, UL94 V-0  
 Shell: Steel, Tin Plated  
 Contact pins: Copper Alloy  
 Gold Flash over Ni.  
 Stamped & Formed Pins: Class 3, 100 inserts min.  
 Contact Plating: Gold flash over Nickel  
 Operating Temperature: -55°C to +85°C  
 Withstanding voltage: >1000V Rms to 50 Hz  
 for 1 minute  
 Current Rating: 5A  
 Insulator resistance: >5000MΩ min.



**Features:**

- Available in sizes 9-15-25-37
- Re-openable

Size DPPK-P	Dim A	Dim B	Dim C
9-way	31,5	34,0	15,0
15-way	40,0	34,0	15,0
25-way	53,5	34,0	15,0
37-way	70,0	40,0	15,0

Ordering information:

Standard D-Sub Connector Kits

Size:	P/N - Kitted:	Description:
9-way	L17DPPK09-BK+L717SDE09P	Solder Cup, 9-Male
15-way	L17DPPK15-BK+L717SDA15P	Solder Cup, 15-Male
25-way	L17DPPK25-BK+L717SDB25P	Solder Cup, 25-Male
37-way	L17DPPK37-BK+L717SDC37P	Solder Cup, 37-Male

Size:	P/N - Kitted:	Description:
9-way	L17DPPK09-BK+L77SDE09S	Solder Cup, 9-Female
15-way	L17DPPK15-BK+L77SDA15S	Solder Cup, 15-Female
25-way	L17DPPK25-BK+L77SDB25S	Solder Cup, 25-Female
37-way	L17DPPK37-BK+L77SDC37S	Solder Cup, 37-Female