

Plastic Hoods

DPPK-BK+Screw Type Connector

TECHNICAL SPECIFICATIONS

D-Sub Hood:

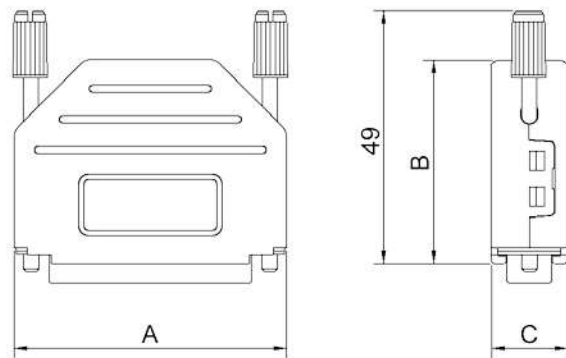
Housing material: Polyamid, UL-recognised
 Operating Temperature: -55°C to +105°C
 Cable Entry: Top
 Thumbscrews: UNC 4-40 (Standard)
 Cable O.D: Up to 11,5mm

D-Sub Screw Connector:

Insulator: Glass filled TP, UL94 V-0
 Shell: Steel, Tin Plated
 Contact pins: Machined Brass pins
 15µ" Gold plated over Ni.
 AWG Wire Size: AWG 18
 Contact Plating: Gold flash over Nickel
 Operating Temperature: -55°C to +85°C
 Withstanding voltage: >1000V Rms to 50 Hz
 for 1 minute
 Current Rating: 7.5A
 Insulator resistance: >5000MΩ min.

Features:

- Available in sizes 9-15-25
- Re-openable



Size DPPK-P	Dim A	Dim B	Dim C
9-way	31,5	34,0	15,0
15-way	40,0	34,0	15,0
25-way	53,5	34,0	15,0

Ordering information:

Screw Connector D-Sub Connector Kits

Size:	P/N - Kitted:	Description:
9-way	L17DPPK09-BK+L717DE09PST	Screw type, 9-Male
15-way	L17DPPK15-BK+L717DA15PST	Screw type, 15-Male
25-way	L17DPPK25-BK+L717DB25PST	Screw type, 25-Male

Size:	P/N - Kitted:	Description:
9-way	L17DPPK09-BK+L77DE09SST	Screw type, 9-Female
15-way	L17DPPK15-BK+L77DA15SST	Screw type, 15-Female
25-way	L17DPPK25-BK+L77DB25SST	Screw type, 25-Female