

Plastic Hoods

DPPK-BK+Screw Type Connector

TECHNICAL SPECIFICATIONS

D-Sub Hood:

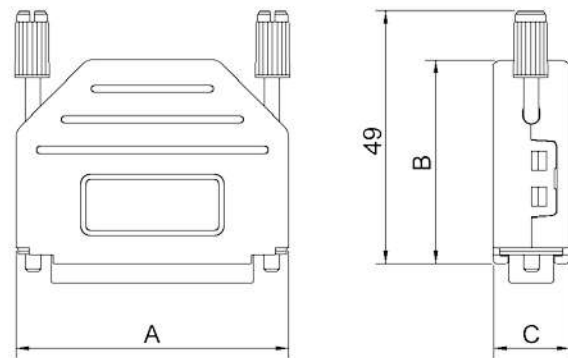
Housing material: Polyamid, UL-recognised
 Operating Temperature: -55°C to +105°C
 Cable Entry: Top
 Thumbscrews: UNC 4-40 (Standard)
 Cable O.D: Up to 11,5mm

D-Sub Screw Connector:

Insulator: Glass filled TP, UL94 V-0
 Shell: Steel, Tin Plated
 Contact pins: Machined Brass pins
 15µ" Gold plated over Ni.
 AWG Wire Size: AWG 18
 Contact Plating: Gold flash over Nickel
 Operating Temperature: -55°C to +85°C
 Withstanding voltage: >1000V Rms to 50 Hz
 for 1 minute
 Current Rating: 7.5A
 Insulator resistance: >5000MΩ min.

Features:

- Available in sizes 9-15-25
- Re-openable



| Size DPPK-P | Dim A | Dim B | Dim C |
|-------------|-------|-------|-------|
| 9-way | 31,5 | 34,0 | 15,0 |
| 15-way | 40,0 | 34,0 | 15,0 |
| 25-way | 53,5 | 34,0 | 15,0 |

Ordering information:

Screw Connector D-Sub Connector Kits

| Size: | P/N - Kitted: | Description: |
|--------|--------------------------|---------------------|
| 9-way | L17DPPK09-BK+L717DE09PST | Screw type, 9-Male |
| 15-way | L17DPPK15-BK+L717DA15PST | Screw type, 15-Male |
| 25-way | L17DPPK25-BK+L717DB25PST | Screw type, 25-Male |

| Size: | P/N - Kitted: | Description: |
|--------|-------------------------|-----------------------|
| 9-way | L17DPPK09-BK+L77DE09SST | Screw type, 9-Female |
| 15-way | L17DPPK15-BK+L77DA15SST | Screw type, 15-Female |
| 25-way | L17DPPK25-BK+L77DB25SST | Screw type, 25-Female |