

Plastic Hoods

D45PK-P+D-Sub Solder Cup

TECHNICAL SPECIFICATIONS

D-Sub Hood:

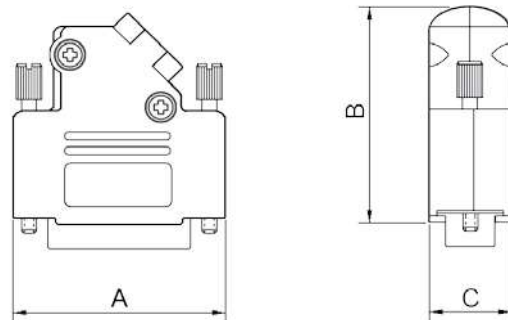
| | |
|------------------------|----------------------------|
| Material: | UL 94 V-0 Plastic Material |
| Operating Temperature: | -55°C to +110°C |
| Cable Entry: | Side |
| Thumbscrews: | UNC 4-40 (Standard) |
| Cable O.D: | Up to 11,5mm |
| Colour: | Black |

Standard D-Sub Solder Cup:

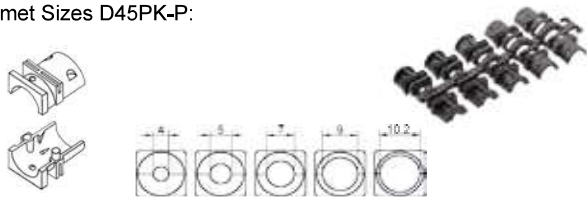
| | |
|------------------------|-------------------------------------|
| Insulator: | Glass filled TP, UL94 V-0 |
| Shell: | Steel, Tin Plated |
| Contact pins: | Copper Alloy Gold Flash over Ni. |
| Stamped & Formed Pins | Class 3, 100 inserts min. |
| Contact Plating: | Gold flash over Nickel |
| Operating Temperature: | -55°C to +85°C |
| Withstanding voltage: | >1000V Rms to 50 Hz for 1 minute |
| Current Rating: | 5A |
| Insulator resistance: | >5000MΩ min. |

Features:

- Available in sizes 9-15-25-37
- Strain relief inserts ensure a secure termination
- Re-openable



Grommet Sizes D45PK-P:



| Size D45PK-P | Dim A | Dim B | Dim C |
|--------------|-------|-------|-------|
| 9-way | 31,0 | 36,3 | 15,0 |
| 15-way | 39,5 | 40,3 | 15,0 |
| 25-way | 53,2 | 40,3 | 15,0 |
| 37-way | 69,7 | 40,3 | 15,0 |

Ordering information:

Standard D-Sub Connector Kits

| Size: | P/N - Kitted: | Description: |
|--------|--------------------------|---------------------|
| 9-way | L17D45PK-P-09+L717SDE09P | Solder Cup, 9-Male |
| 15-way | L17D45PK-P-15+L717SDA15P | Solder Cup, 15-Male |
| 25-way | L17D45PK-P-25+L717SDB25P | Solder Cup, 25-Male |
| 37-way | L17D45PK-P-37+L717SDC37P | Solder Cup, 37-Male |

| Size: | P/N - Kitted: | Description: |
|--------|-------------------------|-----------------------|
| 9-way | L17D45PK-P-09+L77SDE09S | Solder Cup, 9-Female |
| 15-way | L17D45PK-P-15+L77SDA15S | Solder Cup, 15-Female |
| 25-way | L17D45PK-P-25+L77SDB25S | Solder Cup, 25-Female |
| 37-way | L17D45PK-P-37+L77SDC37S | Solder Cup, 37-Female |